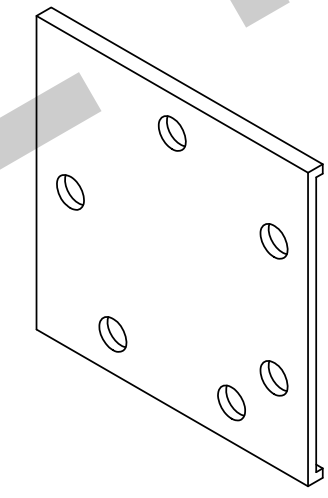
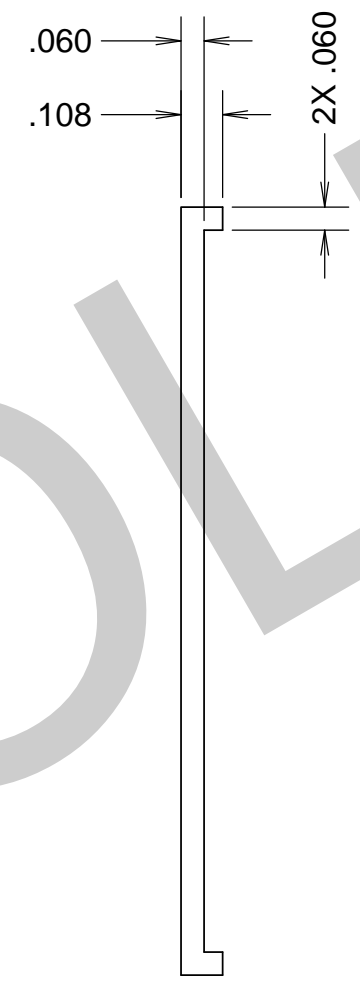
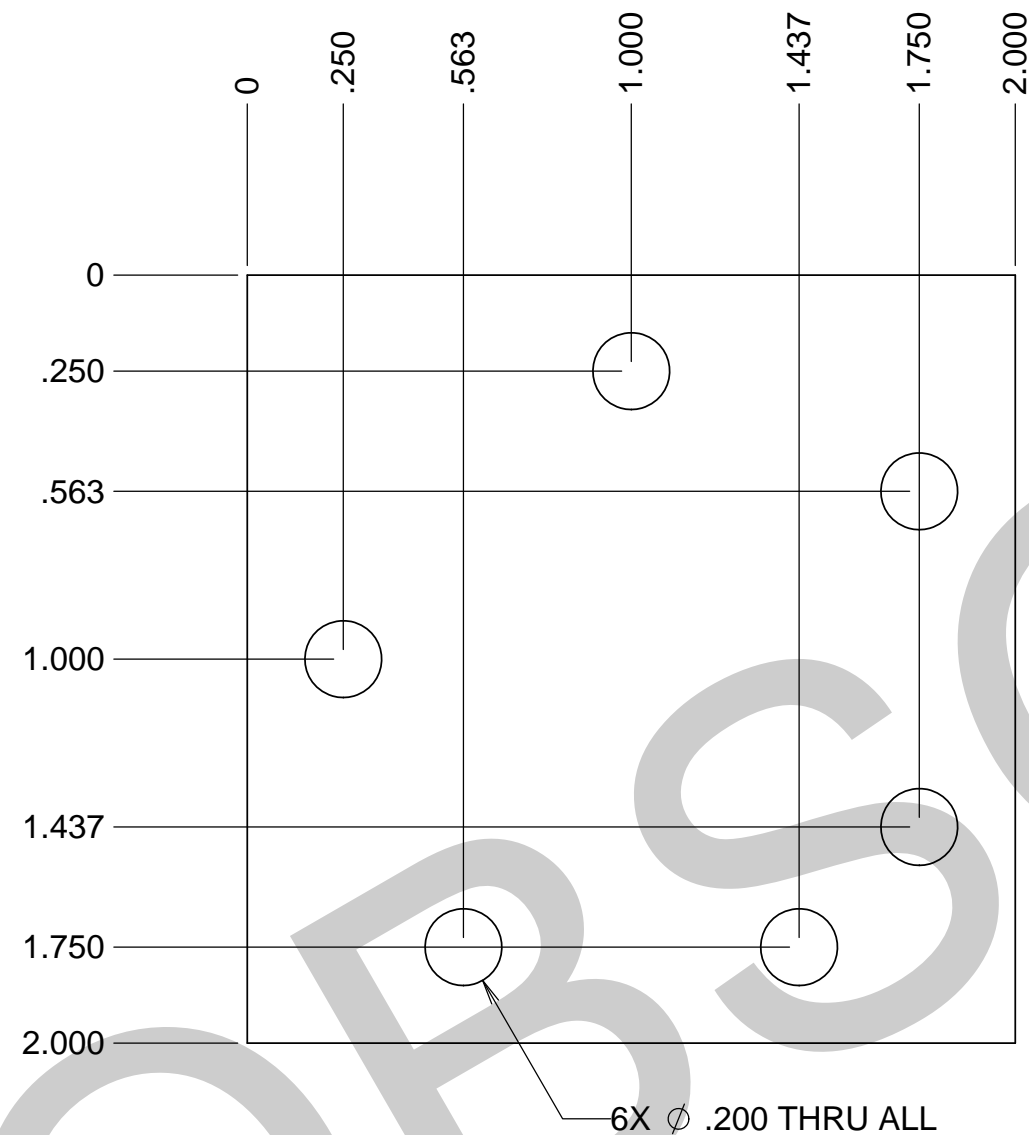


REVISIONS				
REV	DATE	DRWN	CHCK'D	DESCRIPTION
A	06JAN17	GFC	--	INITIAL RELEASE
B	28NOV18	GFC	--	NOTE 2



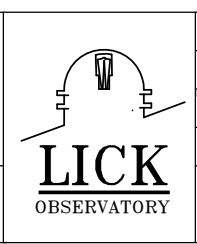
**NOTES**

- 1 CAD MODEL FILENAME, 872-LM3139 Solenoid Mt Plt
- 2 OBSOLETE, IN CAD MODEL BUT NOT USED

UNLESS OTHERWISE NOTED DIMENSIONS ARE IN INCHES & TOLERANCES ARE AS FOLLOWS

X.X: ±0.1000" X.XX: ±0.0100"  
 X.XXX: ±0.0050" X.XXXX: ±0.0001"  
 ANGLES: ±0.5° FINISH: 125 MICRO INCHES  
 BREAK ALL SHARP EDGES  
 & CORNERS .002" MAX

MATERIAL	FINISH
AL 5XXX/6XXX	BLACK ANODIZE



DRAWN	CABAK	--	KECK 1 DEPLOYABLE TERTIARY MIRROR
CHECKED	--	--	OUTER DRUM COMPONENTS
DESIGNED	CABAK	--	TITLE
DRAWN	CABAK	--	SOLENOID MOUNT PLATE
SW DOCUMENT FILE	1	PROJECT CODE	K1D3FD
		DWG NO	872-LM3139
		NEXT ASSY	872-LM3236
			872-LM3139
			B 1/1