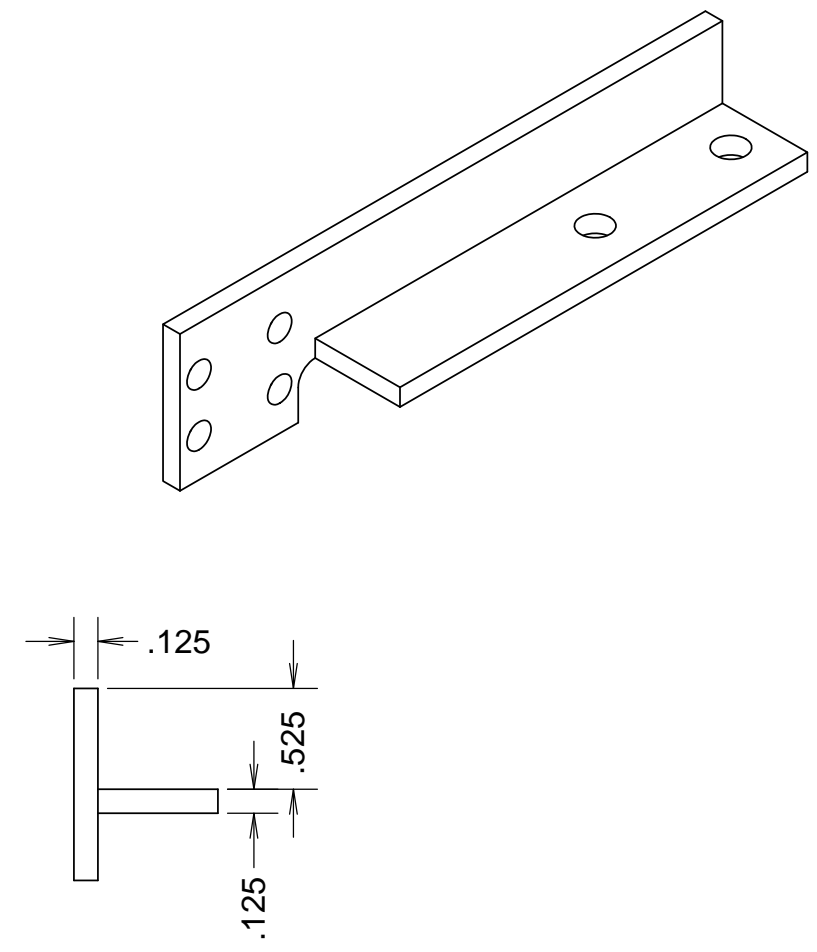
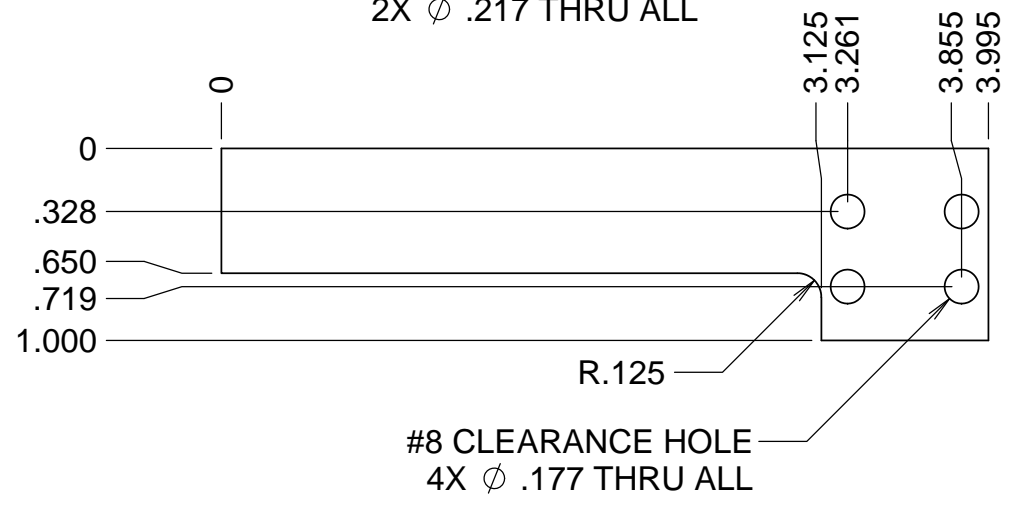
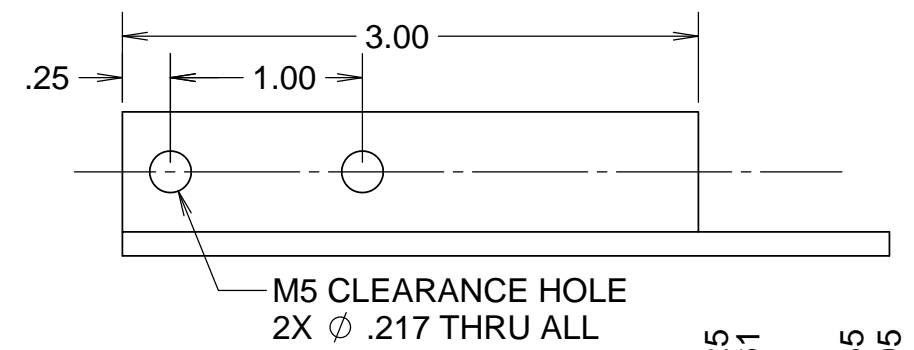


REVISIONS				
REV	DATE	DRW'N	CHCK'D	DESCRIPTION
A	10JAN17	GFC		INITIAL RELEASE
B	30MAY17	GFC	JW	HOLE CHANGES



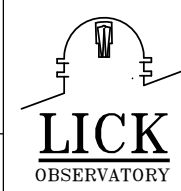
**NOTES**

1 CAD MODEL FILENAME, 872-LM3138 Brkt Solenoid Valve Drum Positioner

UNLESS OTHERWISE NOTED DIMENSIONS ARE IN INCHES & TOLERANCES ARE AS FOLLOWS

X.X:  $\pm 0.1000''$  X.XX:  $\pm 0.0100''$   
 X.XXX:  $\pm 0.0050''$  X.XXXX:  $\pm 0.0001''$   
 ANGLES:  $\pm 0.5^\circ$  FINISH: 125 MICRO INCHES  
 BREAK ALL SHARP EDGES & CORNERS .002" MAX

MATERIAL	FINISH
AL 5XXX, 6XXX	BLACK ANODIZE



DRAWN	CABAK	--	KECK 1 DEPLOYABLE TERTIARY MIRROR
CHECKED	--	--	OUTER DRUM COMPONENTS
DESIGNED	CABAK		TITLE
DRAWN	CABAK	--	BRACKET, SOLENOID VALVE, DRUM POSITIONER
SW DOCUMENT FILE	1	PROJECT CODE	K1D3FD
		DWG NO	872-LM3138
		NEXT ASSY	--
			B 1/1