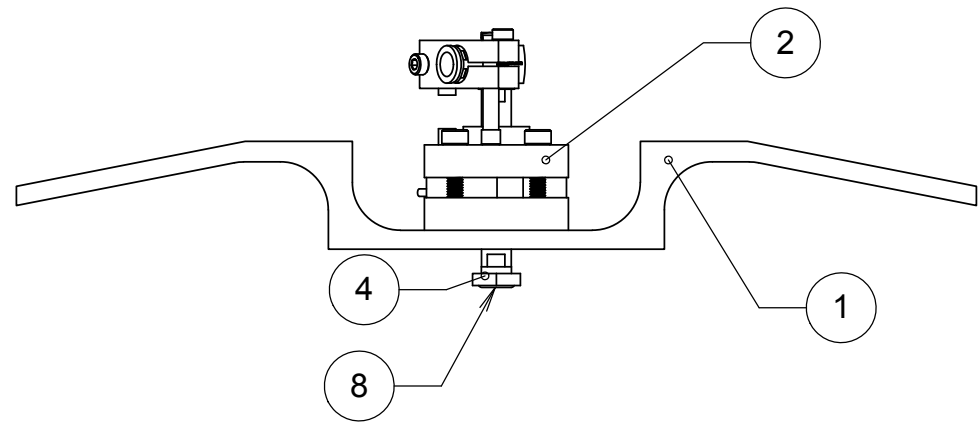
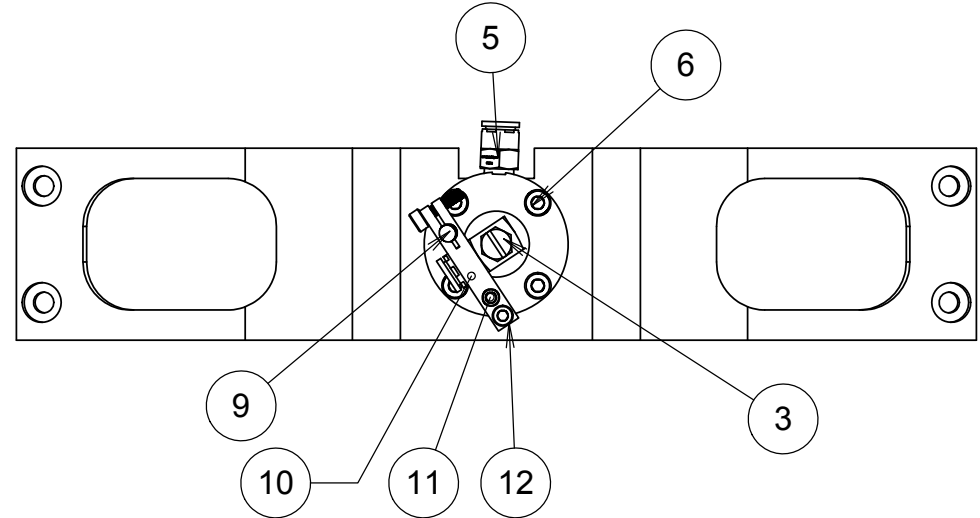
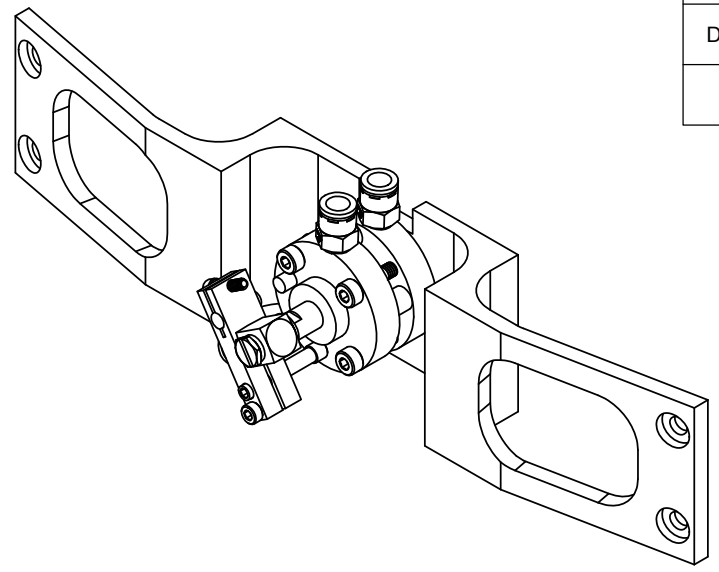


8 7 6 5 4 3 2 1

REVISIONS				
DRWN	DATE	CHK'D	REV	DESCRIPTION
CR	16NOV16		A	PRELIMINARY RELEASE

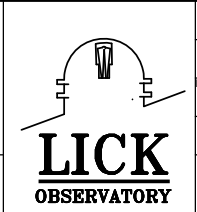


ITEM NO.	PartNo	DESCRIPTION	QTY.
1	872-LM3127	Compressed Air Supply Mount	1
2	BIMBA FOD-040.38-BHSY	PNUEMATIC ACTUATOR	1
3	Beswick PTC SL-14-316-V	BANJO FITTING 1 TOUCH 1/4" TO 10-32	1
4	872-LM3128	Compressed Air Supply Fitting	1
5	BESWICK PTC-14	ONE TOUCH FITTING, 1/4" TUBE TO 10-32 O-RING	2
6	MC 93705A827	SHCS_M4x25_	4
7	MC 9263K284	O-RING_4mmIDX1mm WIDE	1
8	MC_5267T210	O-RING 2-010 VITON	1
9	MC 65985K15	Hall Effect Sensor	1
10	872-LM3132	Bimba Magnet Mount	1
11	872-LM3134	MODIFIED MC 90269A134 SHOULDER SCREW	1
12	MC 92290A117	TYPE 316 SS SOCKET HEAD CAP SCREW M3x12	2

**NOTES**

- MATERIAL: USE BOM
- MUST BE ASSEMBLED IN ORIENTATION SHOWN FOR MAGNETIC SWITCH TO OPERATE

UNLESS OTHERWISE NOTED DIMENSIONS ARE IN MILLIMETERS & TOLERANCES ARE AS FOLLOWS:  
 X: ±0.25mm X.X: ±0.10 mm X.XX: ±0.01 mm  
 ANGLES: ±0.5° FINISH: 3 MICRONS (µm)  
 BREAK ALL SHARP EDGES & CORNERS .25mm MAX



DRAWN <b>C. RATLIFF</b> CHECKED <b>J. WARD</b> DESIGNED <b>C. RATLIFF</b> ENGINEER <b>C. RATLIFF</b>	11/16/16 11/16/16	KECK 1 DEPLOYABLE TERTIARY MIRROR STATOR OUTER DRUM COMPRESSED AIR DELIVERY SYSTEM	PROJECT CODE K1D3DD NEXT ASSY KDM3000	DWG NO <b>872-LM3135</b>	REV <b>A</b> 1/1
---	----------------------	--	--	-----------------------------	------------------------

8 7 6 5 4 3 2 1