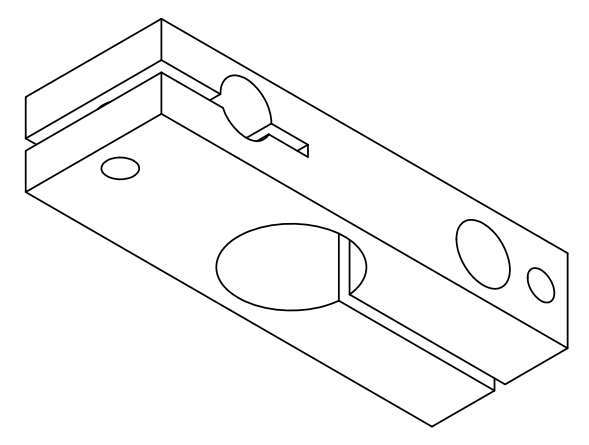
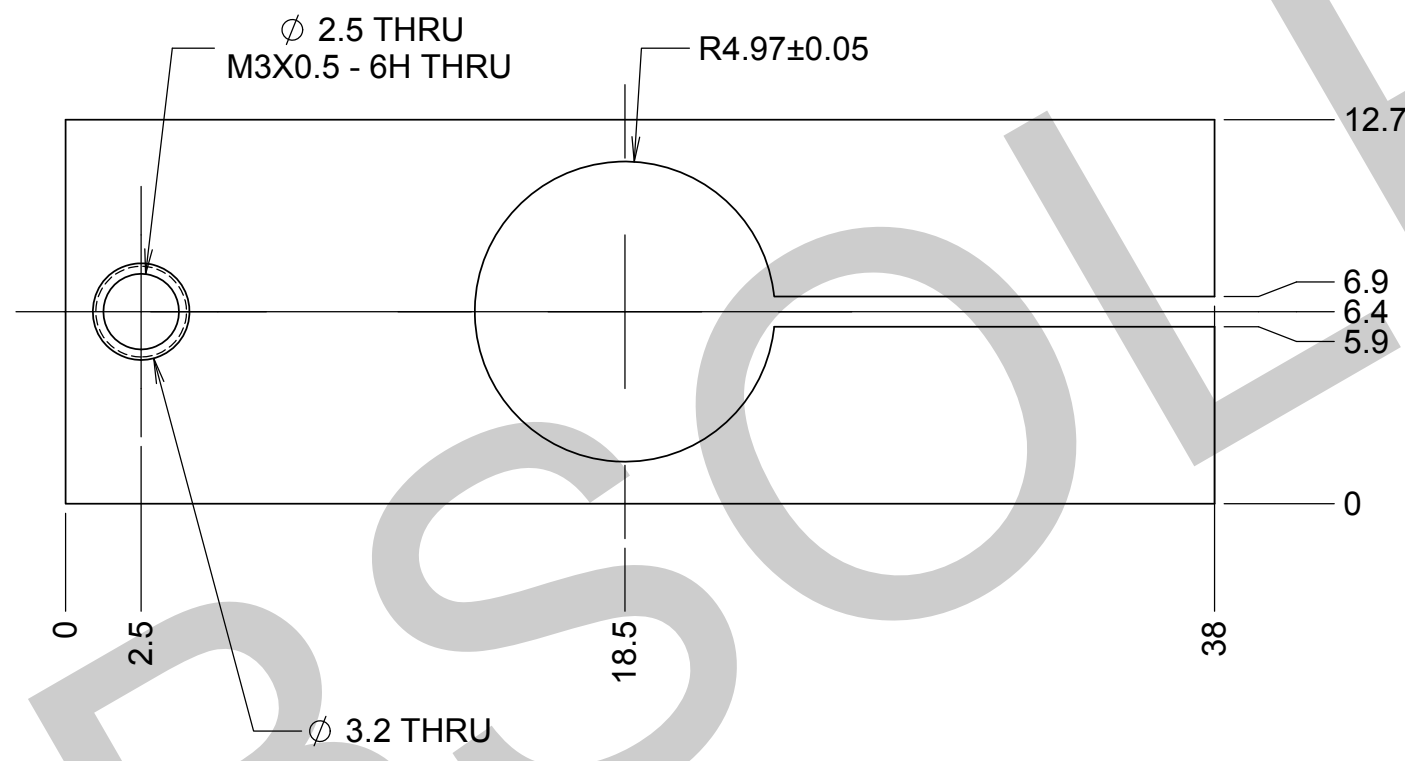
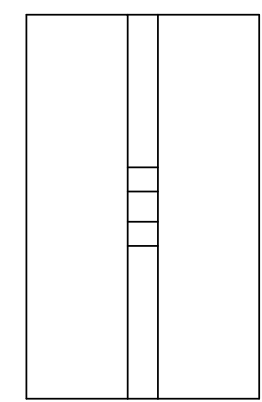
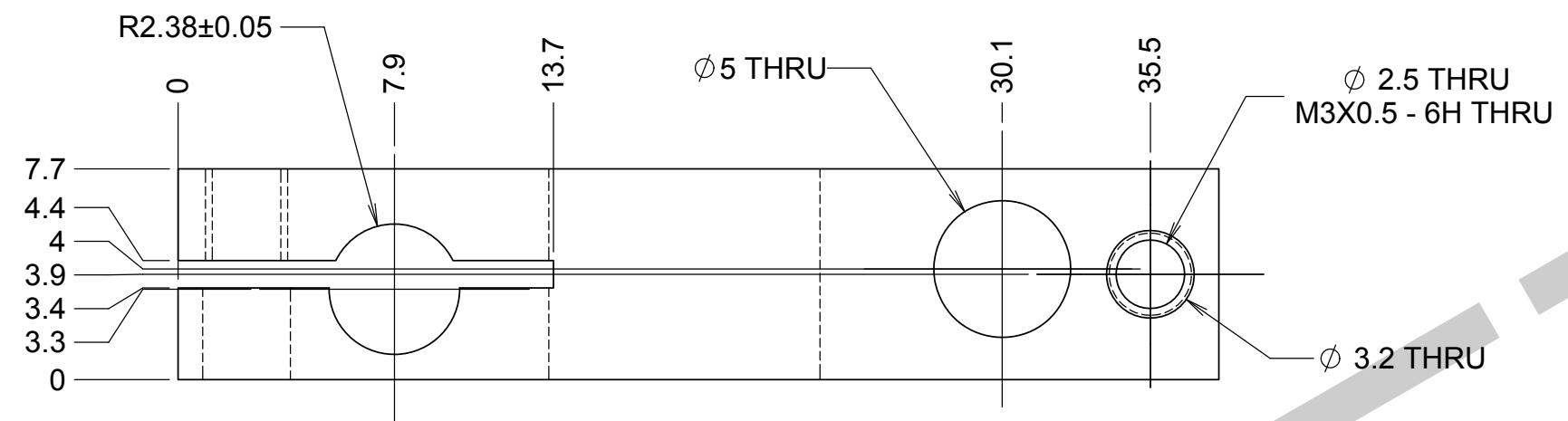


| REVISIONS | | | | |
|-----------|---------|-------|-----|---------------------|
| DRWN | DATE | CHK'D | REV | DESCRIPTION |
| CR | 13NOV16 | | A | PRELIMINARY RELEASE |

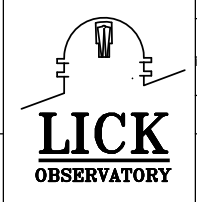


NOTES

- MATERIAL: 6061 T6

UNLESS OTHERWISE NOTED DIMENSIONS ARE IN MILLIMETERS & TOLERANCES ARE AS FOLLOWS:
 X: ±0.25mm X.X: ±0.10 mm X.XX: ±0.01 mm
 ANGLES: ±0.5° FINISH: 3 MICRONS (µm)
 BREAK ALL SHARP EDGES & CORNERS .25mm MAX

| | |
|------------|--------|
| MATERIAL | FINISH |
| SEE NOTE 1 | -- |



| | | | |
|--------------------------------|---------|--------------------------------------|------------------------|
| DRAWN C. RATLIFF | | KECK 1 DEPLOYABLE TERTIARY MIRROR | |
| CHECKED J. WARD | 11/8/16 | STATOR OUTER DRUM | |
| DESIGNED C. RATLIFF | 11/8/16 | TITLE Compressed Air Magnet Mount | |
| ENGINEER C. RATLIFF | | QUANTITY 1 | PROJECT CODE K1D3DD |
| SW DOCUMENT FILE 872-LM3132 | | NEXT ASSY KDM3000 | DWG NO 872-LM3132 |
| | | | REV A |