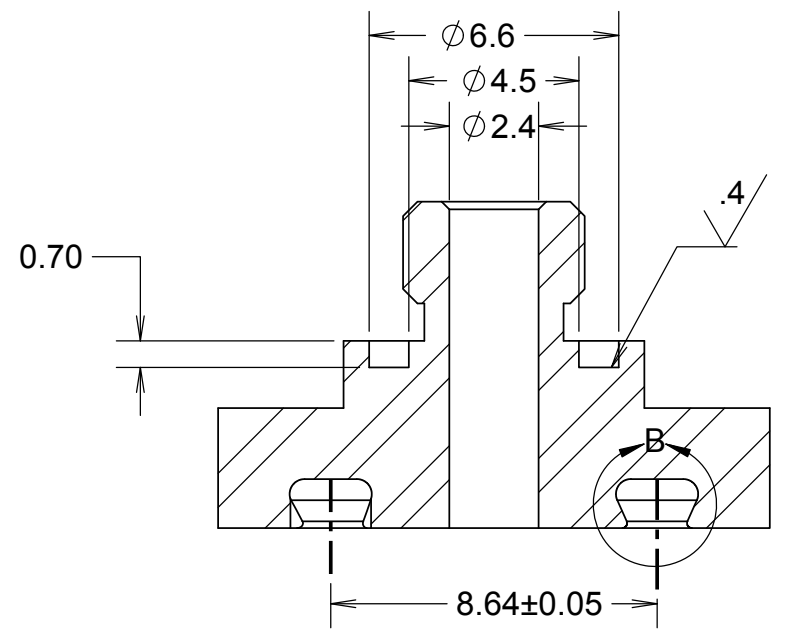
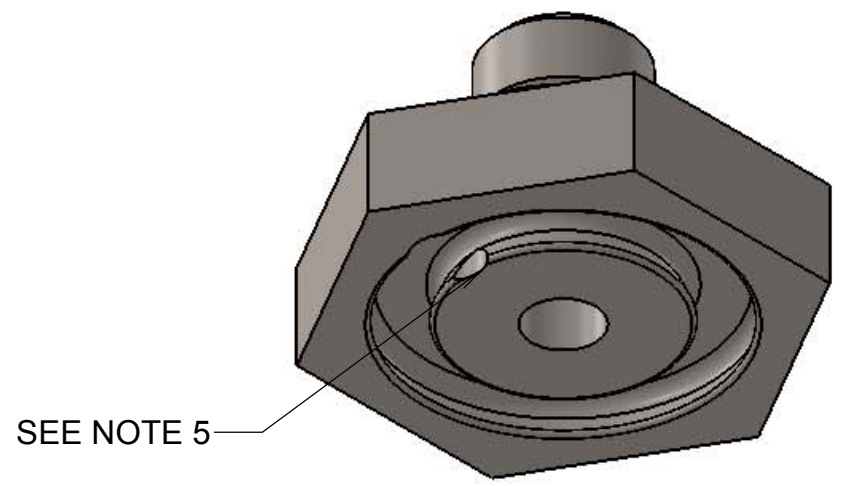
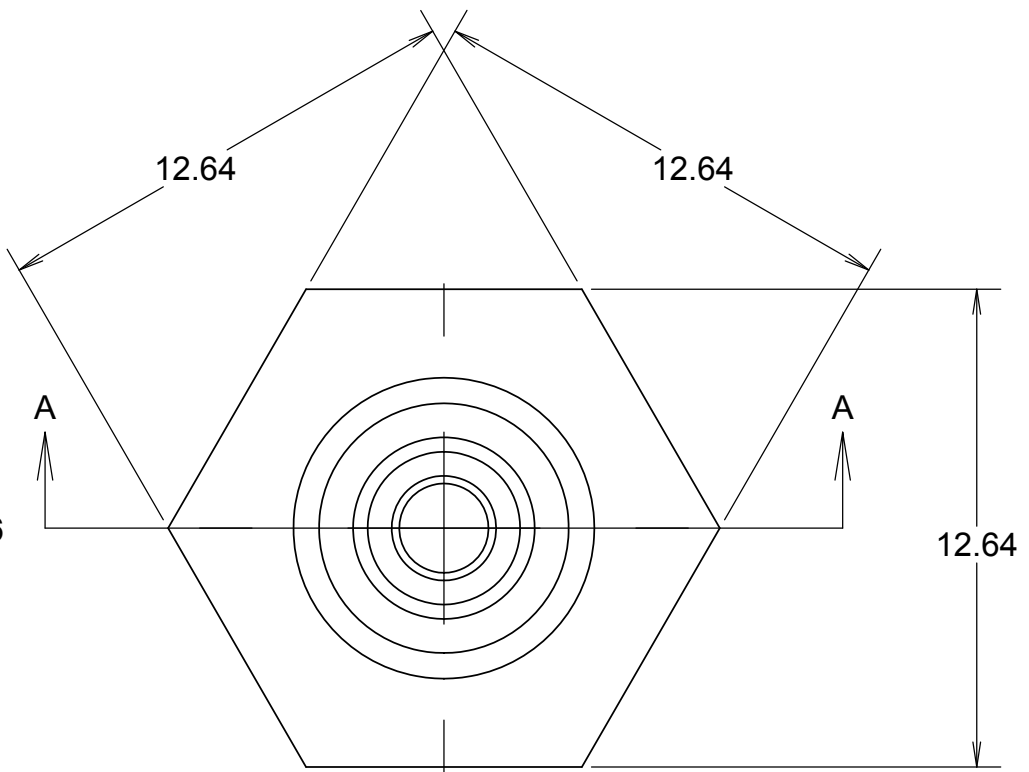
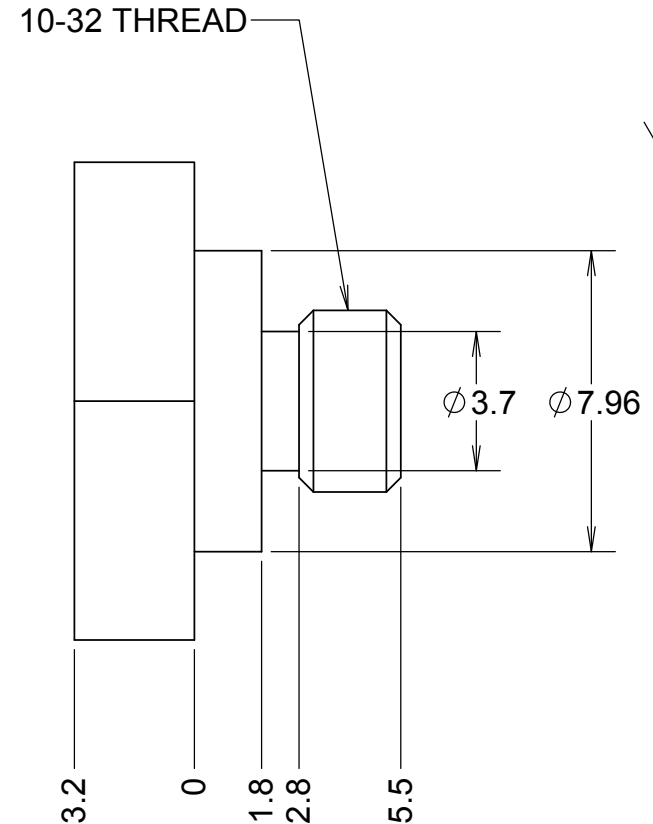
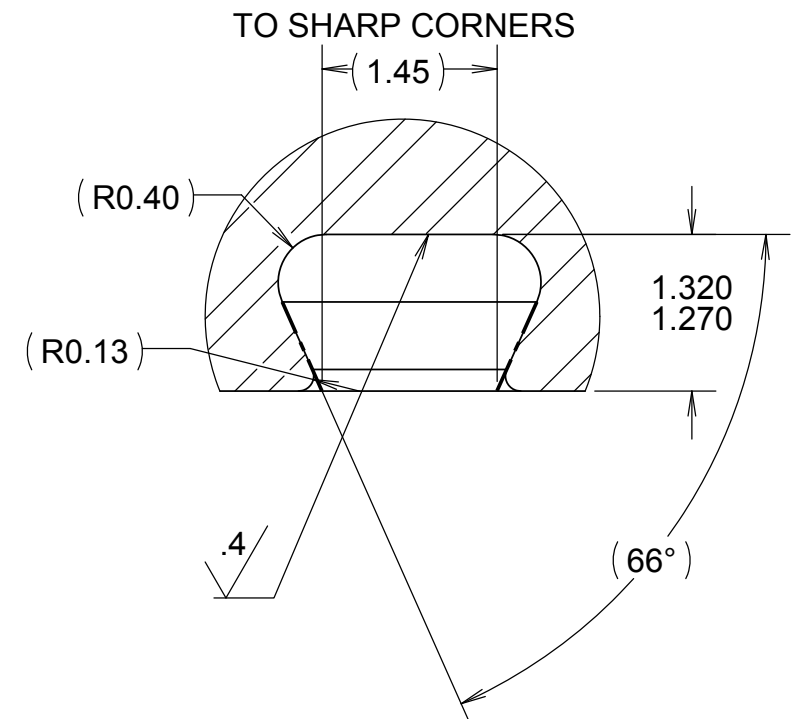


REVISIONS				
DRWN	DATE	CHK'D	REV	DESCRIPTION
CR	23NOV15		A	PRELIMINARY RELEASE
CR	22APR16		B	SAME FIT/FUNCTION, DIFFERENT STOCK



SECTION A-A
SCALE 5 : 1

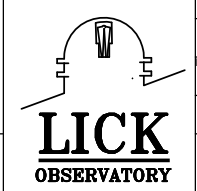


DETAIL B
SCALE 16 : 1

NOTES

1. BASED ON DESIGN OF BEWICK FITTING MPFAE-1014
2. TO CUT DOVETAIL GROOVE USE A PARKER HANNIFIN O-RING STANDARD CUTTING TOOL WITH DROP HOLE ALLOWANCE
3. PARKER HANNIFAN DIMENSIONS ARE SHOWN IN SECTION VIEW
4. DIMENSION TOLERANCES ARE +/- .050MM UNLESS OTHERWISE SPECIFIED
5. LOCATION OF DROP HOLE CAN BE AT ANY LOCATION ALONG THE CENTERLINE OF THE GROOVE

UNLESS OTHERWISE NOTED DIMENSIONS ARE IN MILLIMETERS & TOLERANCES ARE AS FOLLOWS: X.X: ±0.10 mm X.XX: ±0.01 mm ANGLES: ±0.5° FINISH: 3 MICRONS (µm) BREAK ALL SHARP EDGES & CORNERS .25mm MAX	
MATERIAL	FINISH
BRASS	--



DRAWN C. RATLIFF		KECK 1 DEPLOYABLE TERTIARY MIRROR	
CHECKED J. WARD	3/28/16	STATOR OUTER DRUM	
DESIGNED C. RATLIFF	3/23/16	TITLE AIR SUPPLY FITTING 2, CUSTOM	
ENGINEER C. RATLIFF		QUANTITY 1	PROJECT CODE K1D3DD NEXT ASSY 872-LM3000
SW DOCUMENT FILE New_Brass_Supply_Fitting.SLDPRT		DWG NO 872-LM3128	REV B 1/1