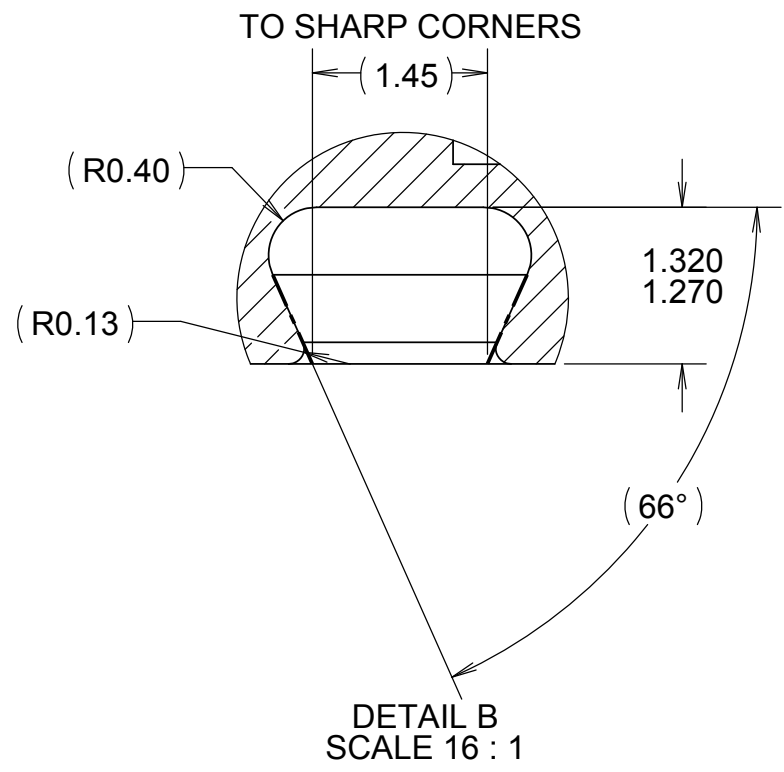
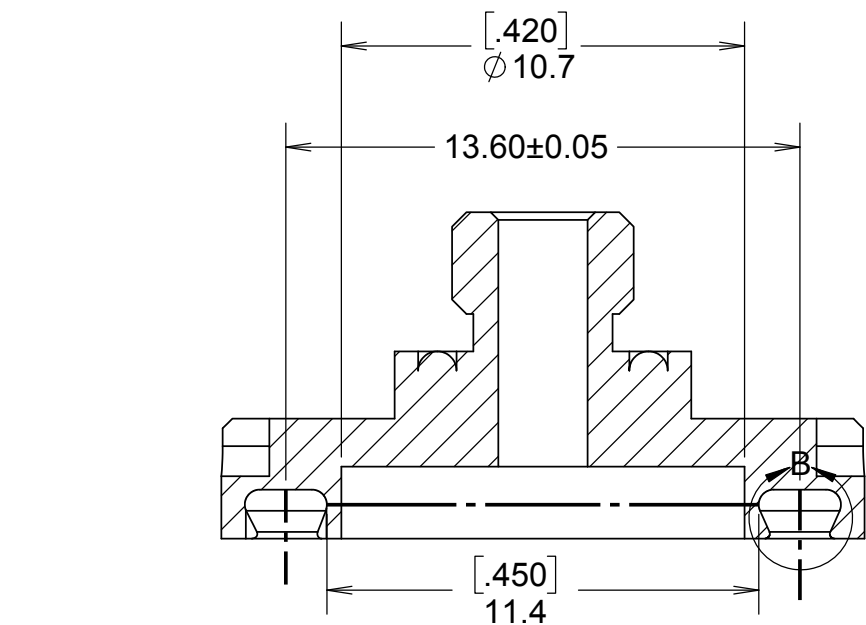
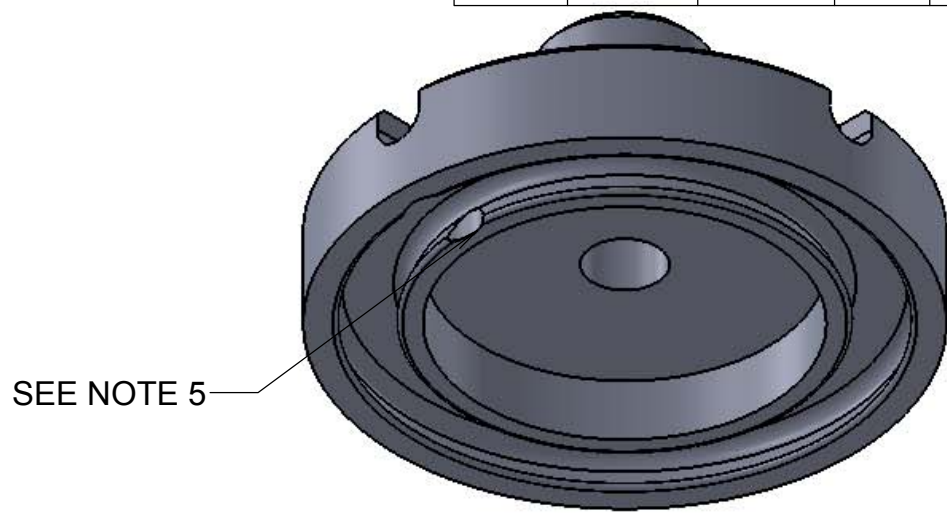
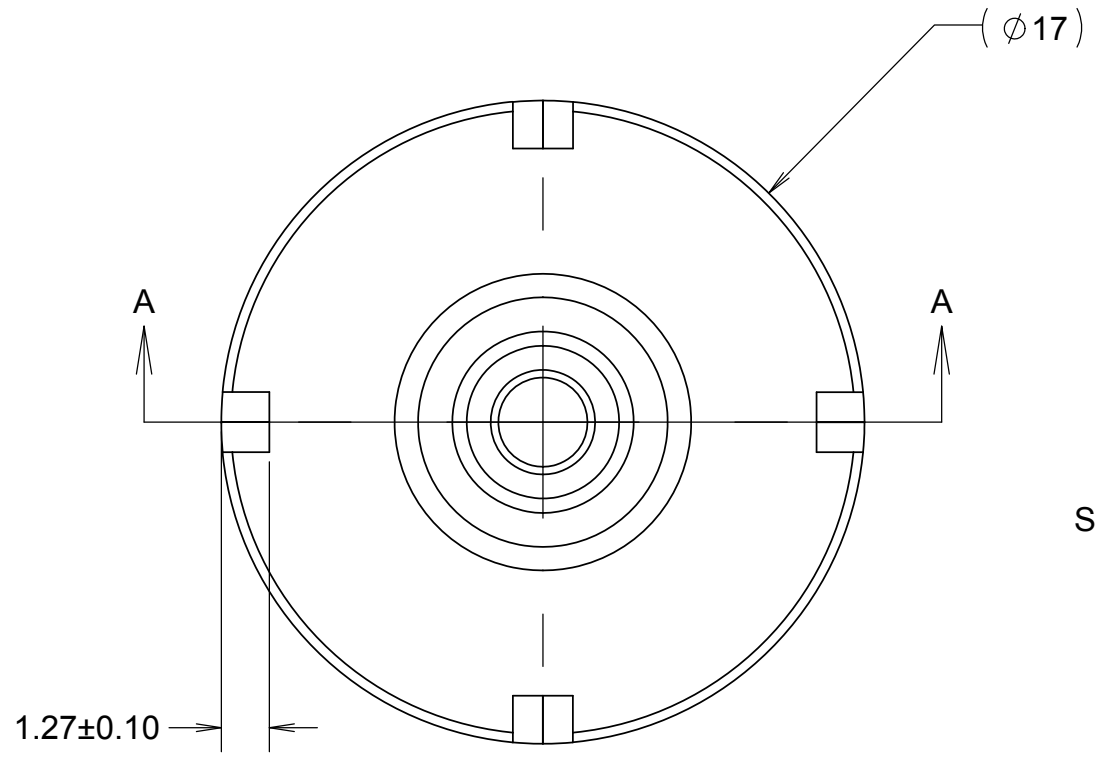
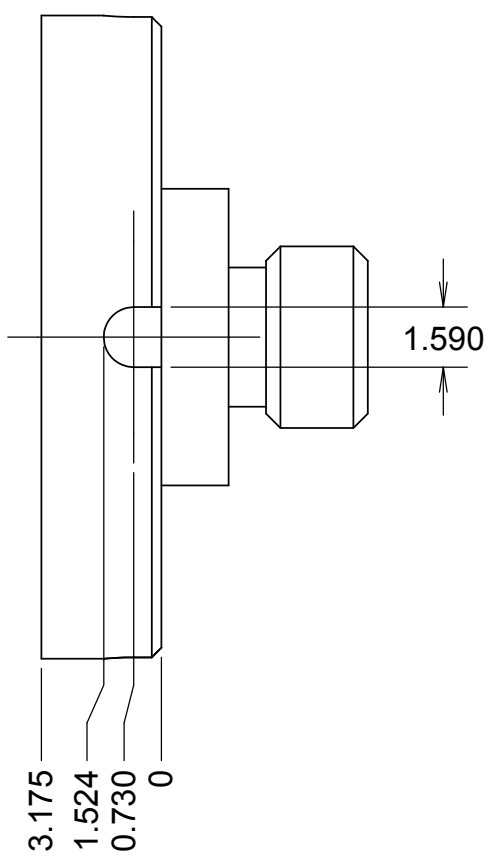


8 7 6 5 4 3 2 1

REVISIONS				
DRWN	DATE	CHK'D	REV	DESCRIPTION
CR	23NOV15		A	PRELIMINARY RELEASE
CR	9NOV2018		B	CHANGED PART NUMBER

D
C
B
A



NOTES

1. USE BEWICK SUPPLIER MATERIAL: BRASS
2. TO CUT DOVETAIL GROOVE USE A PARKER HANNIFIN O-RING STANDARD CUTTING TOOL WITH DROP HOLE ALLOWANCE
3. PARKER HANNIFAN DIMENSIONS ARE SHOWN IN SECTION VIEW
4. ADD NON-REFERENCE DIMENSION TOLERANCES ARE +/- .050MM UNLESS OTHERWISE SPECIFIED
5. LOCATION OF DROP HOLE CAN BE AT ANY LOCATION ALONG THE CENTERLINE OF THE GROOVE

**SECTION A-A
SCALE 5 : 1**

**DETAIL B
SCALE 16 : 1**

UNLESS OTHERWISE NOTED DIMENSIONS ARE IN MILLIMETERS & TOLERANCES ARE AS FOLLOWS: X.X: ±0.10 mm X.XX: ±0.01 mm ANGLES: ±0.5° FINISH: 3 MICRONS (µm) BREAK ALL SHARP EDGES & CORNERS .25mm MAX			DRAWN C. RATLIFF	KECK 1 DEPLOYABLE TERTIARY MIRROR	
MATERIAL: SEE NOTE 1 FINISH: --			CHECKED J. WARD	11/24/15	STATOR OUTER DRUM
			DESIGNED C. RATLIFF	11/23/15	TITLE AIR SUPPLY FITTING, CUSTOM
			ENGINEER C. RATLIFF	QUANTITY 1	PROJECT CODE K1D3DD
			SW DOCUMENT FILE 872-LM3126 Modified Reswick_MPEAF- 1014ISLDPRT	DWG NO 872LM3126	REV B 1

8 7 6 5 4 3 2 1