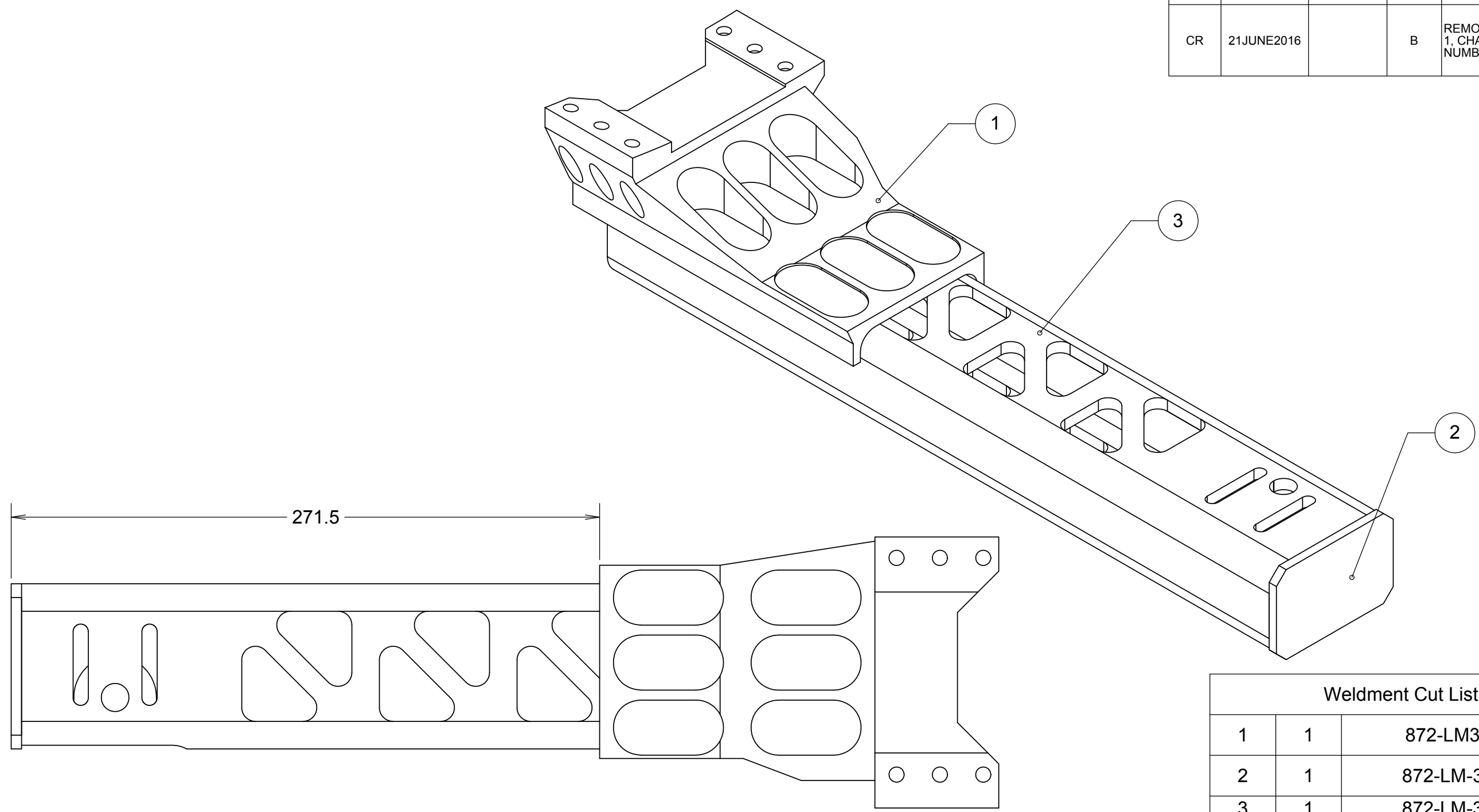


8 7 6 5 4 3 2 1

REVISIONS				
DRWN	DATE	CHK'D	REV	DESCRIPTION
CR	24SEP15		A	PRELIMINARY RELEASE
CR	21JUNE2016		B	REMOVED MATERIAL FROM ITEM 1. CHANGED TO NEW PART NUMBERING FORMAT


D
C
B
A

D
C
B
A

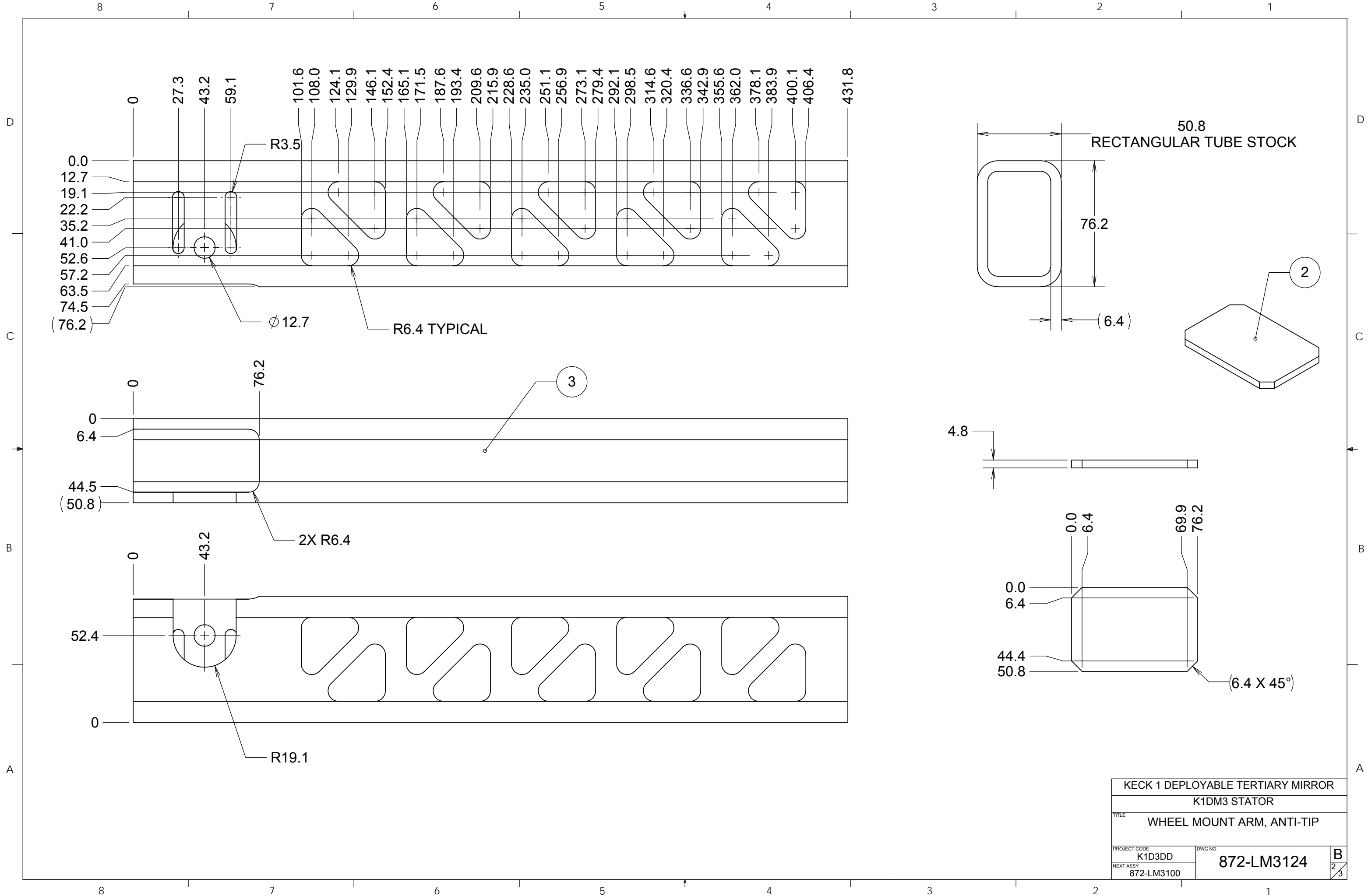


Weldment Cut List		
1	1	872-LM3124-1
2	1	872-LM-3124-2
3	1	872-LM-3124-3

- NOTES:**
- MATERIAL: GENERAL PURPOSE LOW CARBON STEEL, USE A500B TUBE STOCK WITH A 3X2X0.25 INCH SECTION GEOMETRY AND 1018 OR SIMILAR FOR MACHINED PIECE
 - 3-5MM FILLET WELD WHERE POSSIBLE TO JOIN THREE PARTS FROM CUT LIST, USE BEST KNOWN METHODS

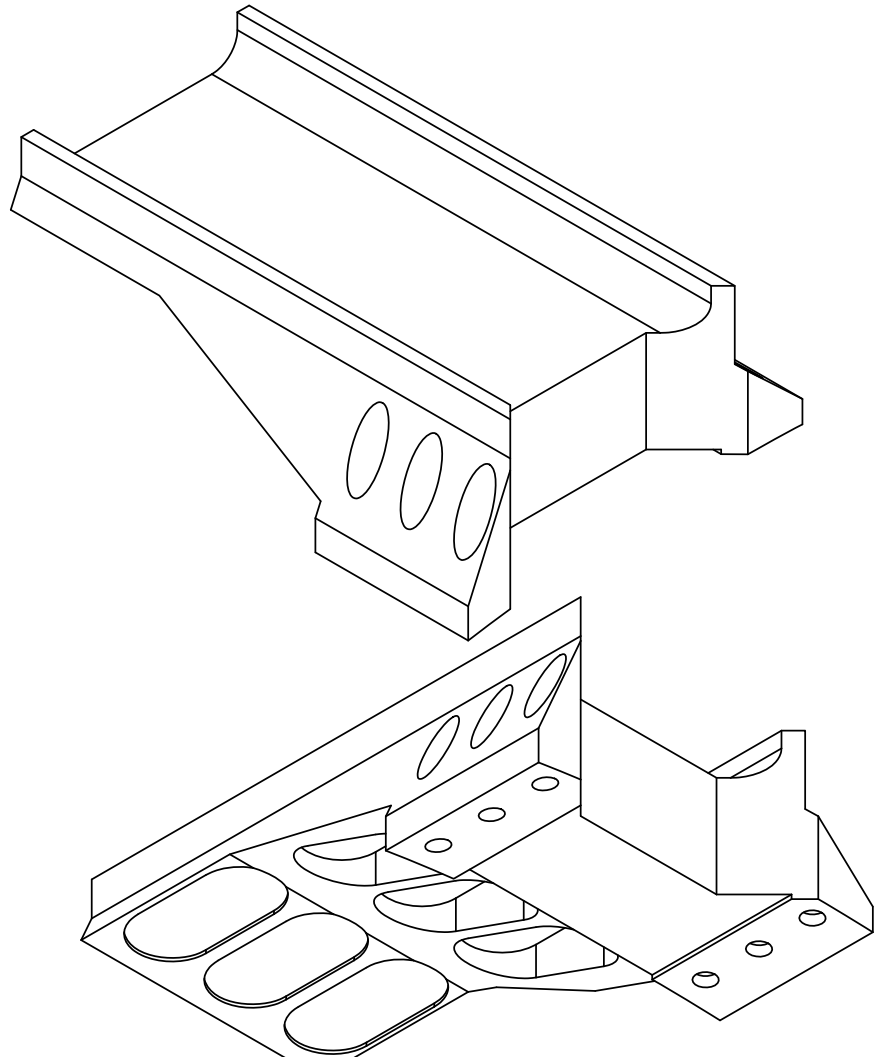
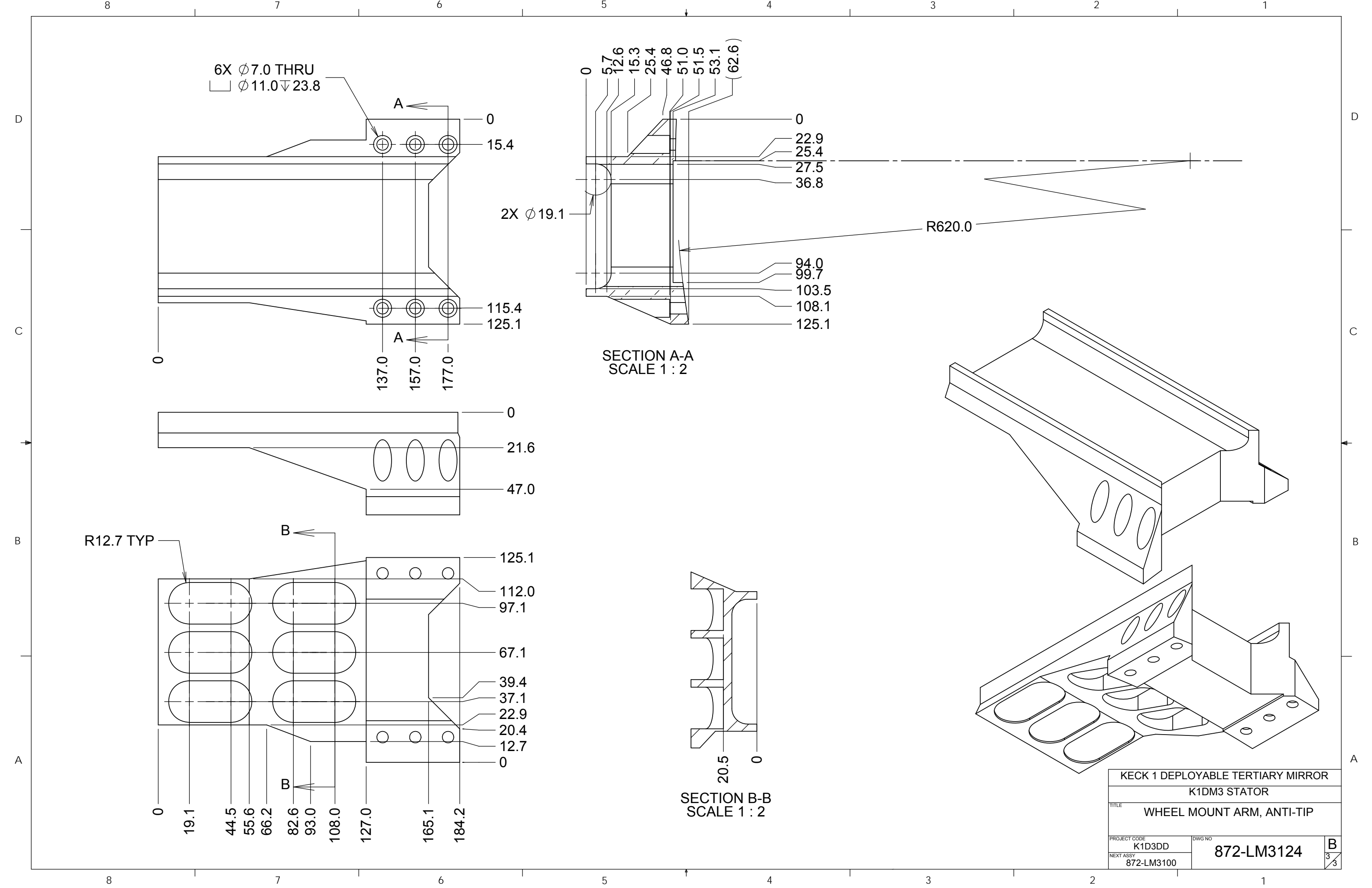
UNLESS OTHERWISE NOTED DIMENSIONS ARE IN MILLIMETERS & TOLERANCES ARE AS FOLLOWS: X.X: ±0.10 mm X.XX: ±0.01 mm ANGLES: ±0.5° FINISH: 3 MICRONS (µm) BREAK ALL SHARP EDGES & CORNERS .25mm MAX			DRAWN C. RATLIFF	KECK 1 DEPLOYABLE TERTIARY MIRROR			
MATERIAL: SEE NOTES			CHECKED PFISTER	9/25/15	K1DM3 STATOR		
			DESIGNED C. RATLIFF	9/25/15	TITLE WHEEL MOUNT ARM, ANTI-TIP		
			SW DOCUMENT FILE ANTI_TIP_WHEEL_MOUNT_B	QUANTITY 1	PROJECT CODE K1D3DD	DWG NO 872-LM3124	REV B 1/3

8 7 6 5 4 3 2 1



KECK 1 DEPLOYABLE TERTIARY MIRROR	
K1DM3 STATOR	
TITLE WHEEL MOUNT ARM, ANTI-TIP	
PROJECT CODE K1D3DD	DWG NO 872-LM3124
NEXT ASSY 872-LM3100	

B
2
3



KECK 1 DEPLOYABLE TERTIARY MIRROR	
K1DM3 STATOR	
TITLE WHEEL MOUNT ARM, ANTI-TIP	
PROJECT CODE K1D3DD	DWG NO 872-LM3124
NEXT ASSY 872-LM3100	B 3/3