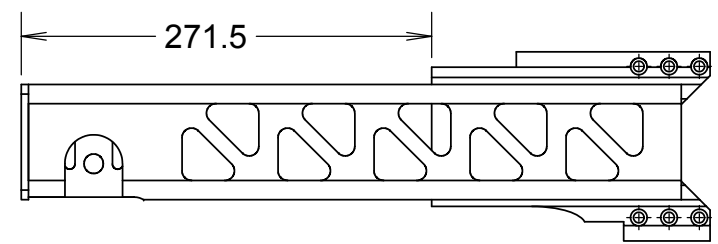
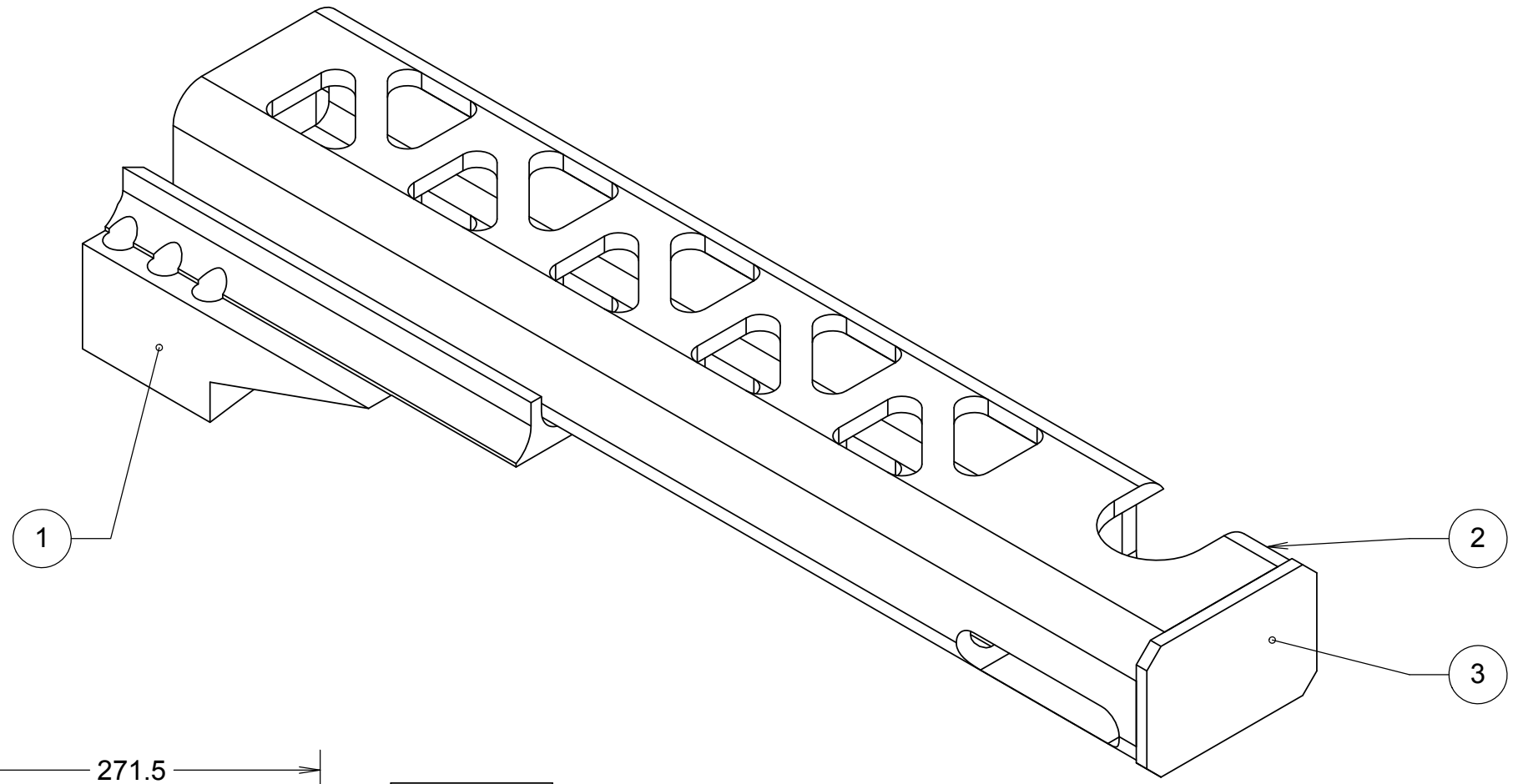


8 7 6 5 4 3 2 1

REVISIONS				
DRWN	DATE	CHK'D	REV	DESCRIPTION
CR	24SEP15		A	PRELIMINARY RELEASE
CR	APR12,2017		B	REFLECTS CHANGES MADE IN 872-LM3124, ADDED CLEARANCE SLOT FOR WHEEL MOUNT
CR	4/28/2017		C	MODIFIED BASE FOR BALL END MILL

D
C
B
A

D
C
B
A

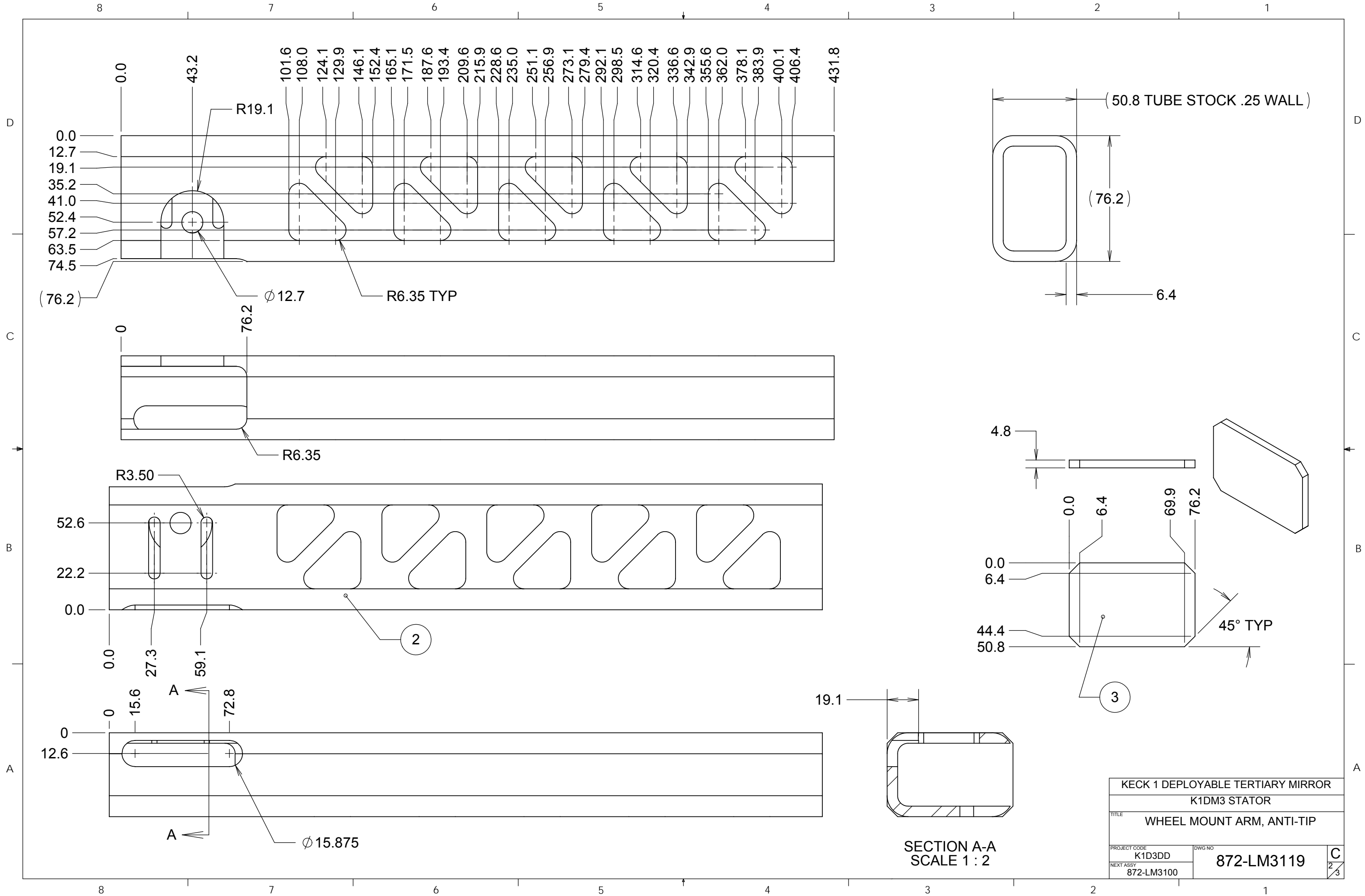


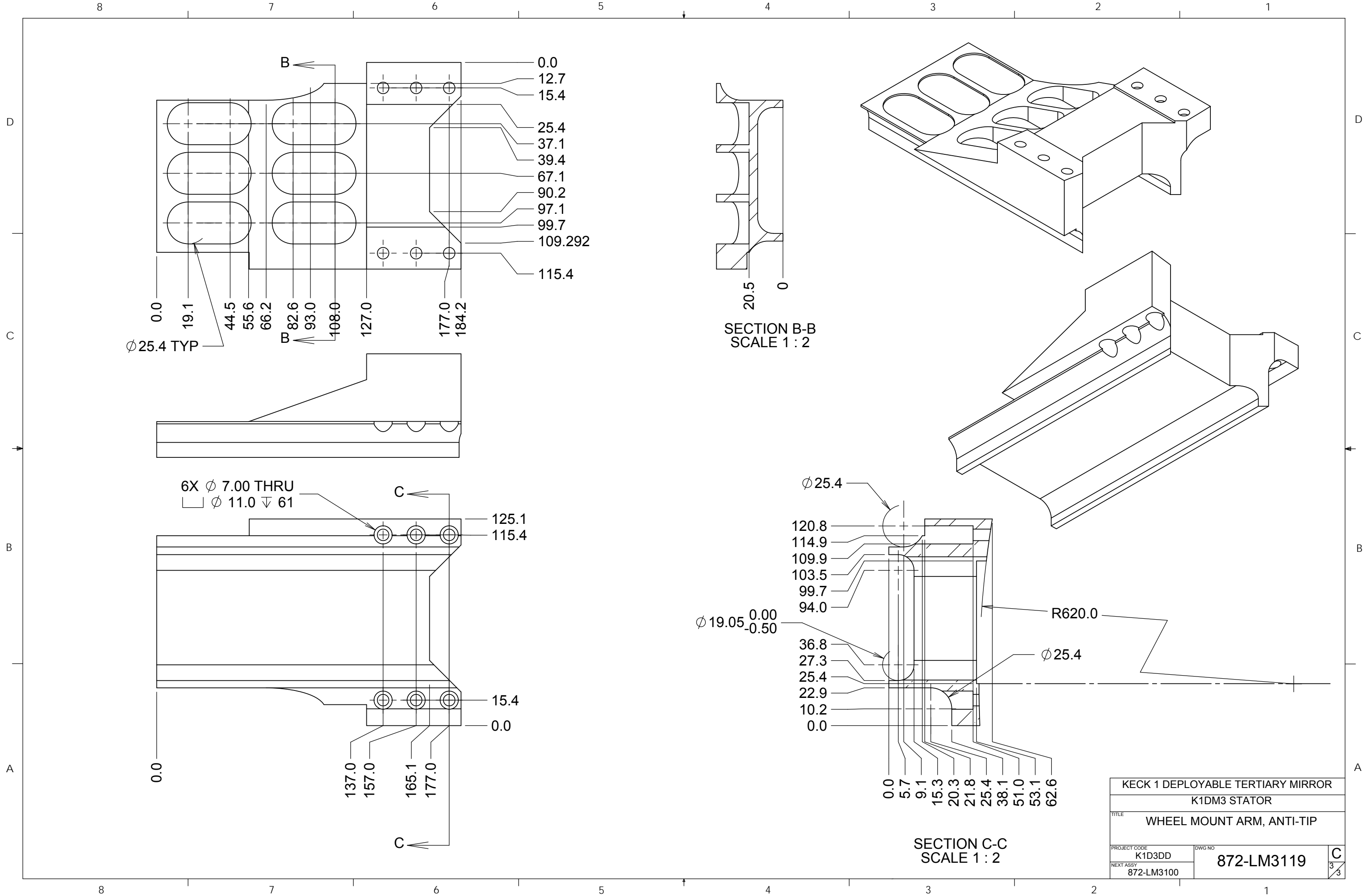
ITEM NO.	QTY.	PARTNUMBER
1	1	872-LM3119-1
2	1	872-LM3119-2
3	1	872-LM3119-3

- NOTES:
- MATERIAL: GENERAL PURPOSE LOW CARBON STEEL, USE A500B TUBE STOCK WITH A 3X2X0.25 INCH SECTION GEOMETRY AND 1018 OR SIMILAR FOR MACHINED PIECE
 - FILLET WELD WHERE POSSIBLE TO JOIN THREE PARTS FROM CUT LIST

UNLESS OTHERWISE NOTED DIMENSIONS ARE IN MILLIMETERS & TOLERANCES ARE AS FOLLOWS: X.X: ±0.10 mm X.XX: ±0.01 mm ANGLES: ±0.5° FINISH: 3 MICRONS (µm) BREAK ALL SHARP EDGES & CORNERS .25mm MAX			DRAWN C. RATLIFF CHECKED PFISTER 9/25/15	KECK 1 DEPLOYABLE TERTIARY MIRROR K1DM3 STATOR	
MATERIAL: SEE NOTES FINISH:			DESIGNED C. RATLIFF 9/24/15 ENGINEER	TITLE WHEEL MOUNT ARM, ANTI-TIP	
		SW DOCUMENT FILE ANTI_TIP_WHEEL_MOUNT_A	QUANTITY 1	PROJECT CODE K1D3DD NEXT ASSY 872-LM3100	DWG NO 872-LM3119 REV C 1/3

8 7 6 5 4 3 2 1





PROJECT CODE		DWG NO	
K1D3DD		872-LM3119	
NEXT ASSY		872-LM3100	
TITLE		C	
KECK 1 DEPLOYABLE TERTIARY MIRROR		3	
K1DM3 STATOR		3	
WHEEL MOUNT ARM, ANTI-TIP		3	