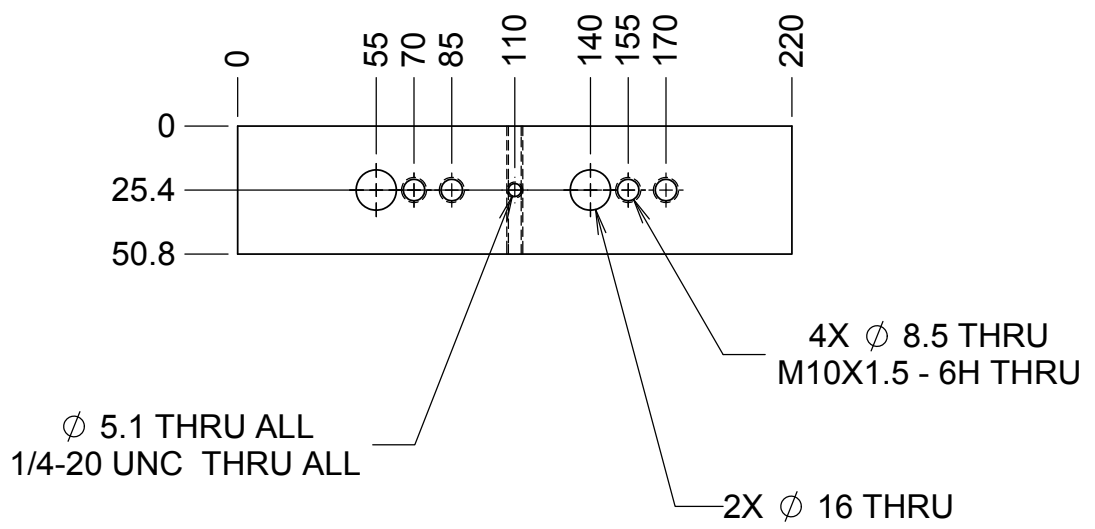
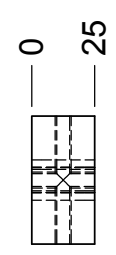
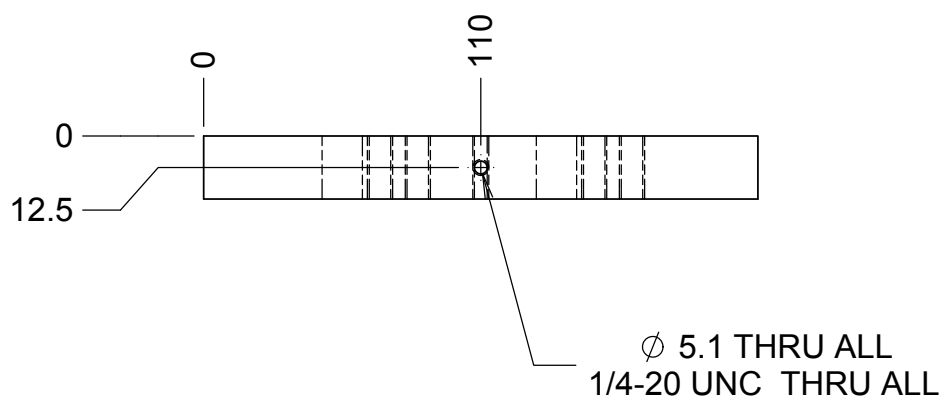
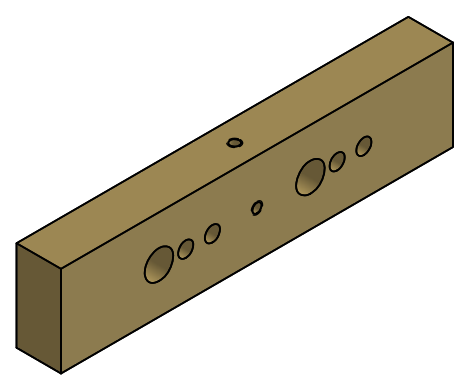
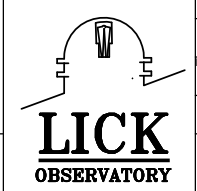


REVISIONS				
DRWN	DATE	CHK'D	REV	DESCRIPTION
CR	7JUL15		A	PRELIMINARY RELEASE
CR	13JUN2017		B	ADDED HOLES PER JIM W



**NOTES**  
 1. 360 BRASS OR SIMILAR

UNLESS OTHERWISE NOTED DIMENSIONS ARE IN MILLIMETERS & TOLERANCES ARE AS FOLLOWS:  
 X.X: ±0.10 mm X.XX: ±0.01 mm  
 ANGLES: ±0.5° FINISH: 3 MICRONS (µm)  
 BREAK ALL SHARP EDGES & CORNERS .25mm MAX



DRAWN <b>K. HE</b>		KECK 1 DEPLOYABLE TERTIARY MIRROR	
CHECKED <b>J. WARD</b>		STATOR OUTER DRUM	
DESIGNED <b>C. RATLIFF</b>	7/6/15	TITLE SMALL COUNTER WEIGHT	
ENGINEER <b>C. RATLIFF</b>		QUANTITY <b>1</b>	PROJECT CODE <b>K1D3FD</b>
MATERIAL SEE NOTE 1	FINISH --	872-LM3106 Small Counter_Wt_SL.DPRT	DWG NO <b>872-LM3106</b>
		NEXT ASSY <b>KDM3000</b>	REV <b>B</b>
			<b>1</b>