

8 7 6 5 4 3 2 1

D

C

B

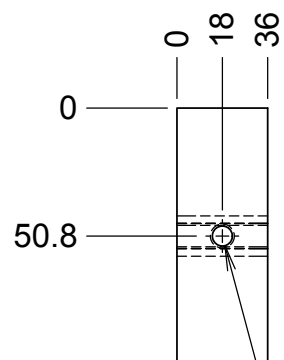
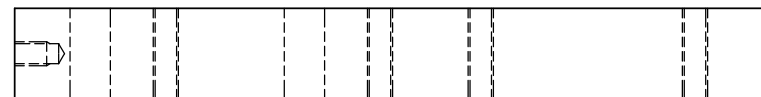
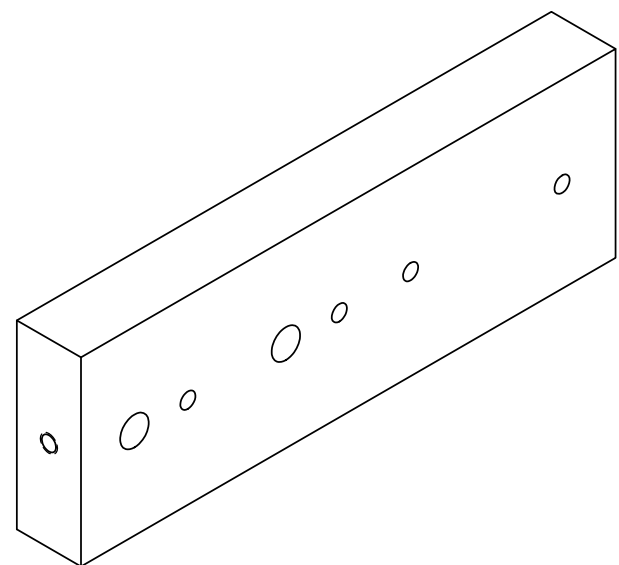
A

D

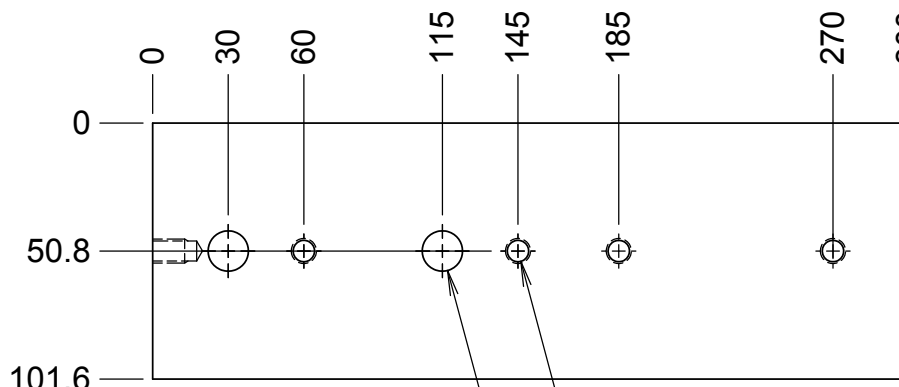
C

B

A



ϕ 7.9 ∇ 17.5
3/8-16 UNC ∇ 12.7



4X ϕ 8.5 THRU
M10X1.5 - 6H THRU
2X ϕ 16 THRU

REVISIONS				
DRWN	DATE	CHK'D	REV	DESCRIPTION
CR	7JUL15		A	PRELIMINARY RELEASE
CR	JUNE7,2017		B	ADDED HOLES PER JIM WARD

NOTES

- 360 BRASS OR SIMILAR

UNLESS OTHERWISE NOTED DIMENSIONS ARE IN MILLIMETERS & TOLERANCES ARE AS FOLLOWS:
 X.X: \pm 0.10 mm X.XX: \pm 0.01 mm
 ANGLES: \pm 0.5° FINISH: 3 MICRONS (μ m)
 BREAK ALL SHARP EDGES & CORNERS .25mm MAX

MATERIAL: SEE NOTE 1
 FINISH: --



DRAWN: C. RATLIFF
 CHECKED: J. WARD
 DESIGNED: C. RATLIFF
 ENGINEER: C. RATLIFF
 SW DOCUMENT FILE: 872-LM3105 BRASS COUNTERWEIGHT S LDASM

PROJECT CODE: K1D3DD
 DWG NO: 872-LM3105
 TITLE: KECK 1 DEPLOYABLE TERTIARY MIRROR STATOR OUTER DRUM COUNTER WEIGHT MOUNT

QUANTITY: 2
 NEXT ASSY: KDM3000
 REV: B
 1/1

8 7 6 5 4 3 2 1