

REVISIONS				
DRWN	DATE	CHK'D	REV	DESCRIPTION
CR	7JUL15		A	PRELIMINARY RELEASE
CR/JW	8/4/15			call out flatness and stock size
CR	8/10/15			ADDED PIN HOLE, CHANGED DIMENSION ORIENTATION PG2

NOTES

1. ASTM A 36 OR SIMILAR
2. 3-5mm WELD BEAD AT ALL JOINTS

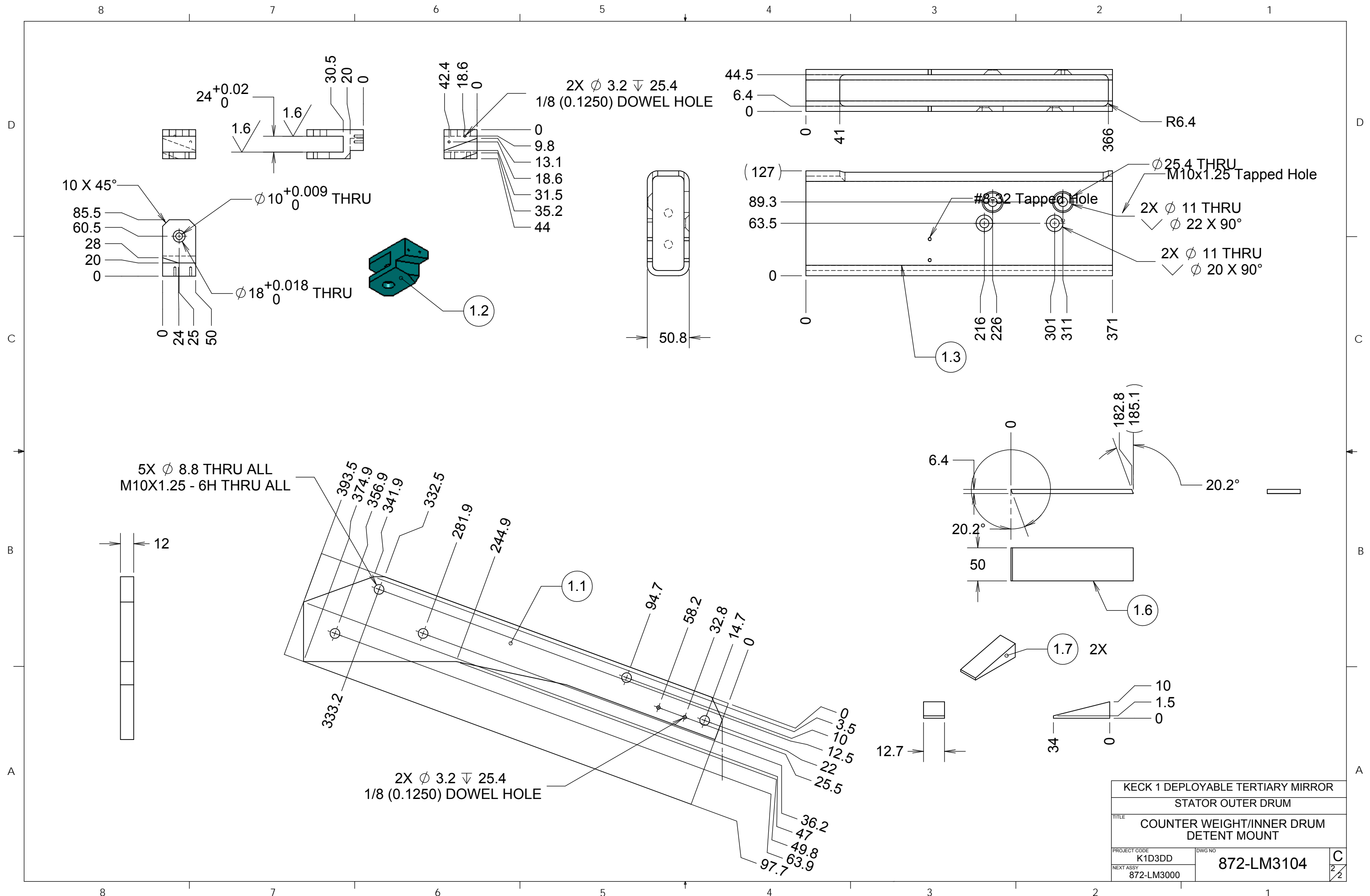
UNLESS OTHERWISE NOTED DIMENSIONS ARE IN MILLIMETERS & TOLERANCES ARE AS FOLLOWS:
 X.X: ±0.10 mm X.XX: ±0.01 mm
 ANGLES: ±0.5° FINISH: 3 MICRONS (µm)
 BREAK ALL SHARP EDGES & CORNERS .25mm MAX

MATERIAL	FINISH
SEE NOTE 1	--



DRAWN	C. RATLIFF
CHECKED	J. WARD
DESIGNED	C. RATLIFF
DATE	7/6/15
ENGINEER	C. RATLIFF
SW DOCUMENT FILE	1
PROJECT CODE	K1D3DD
DWG NO	872-LM3104
REV	C
	1/2

KECK 1 DEPLOYABLE TERTIARY MIRROR	
STATOR OUTER DRUM	
COUNTER WEIGHT/INNER DRUM DETENT MOUNT	
QUANTITY	1
NEXT ASSY	872-LM3000



KECK 1 DEPLOYABLE TERTIARY MIRROR	
STATOR OUTER DRUM	
TITLE COUNTER WEIGHT/INNER DRUM DETENT MOUNT	
PROJECT CODE K1D3DD	DWG NO 872-LM3104
NEXT ASSY 872-LM3000	C 2/2