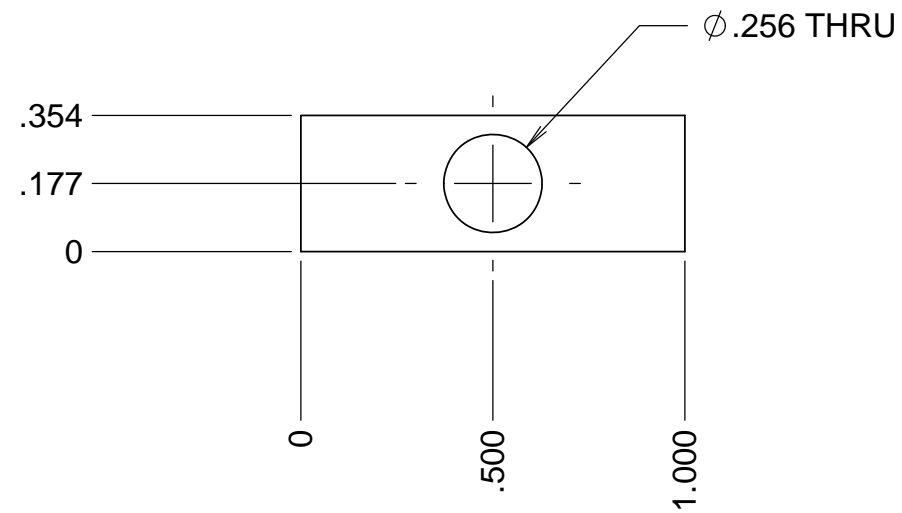
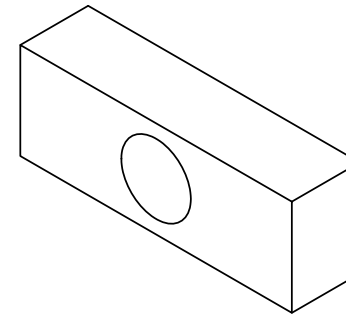
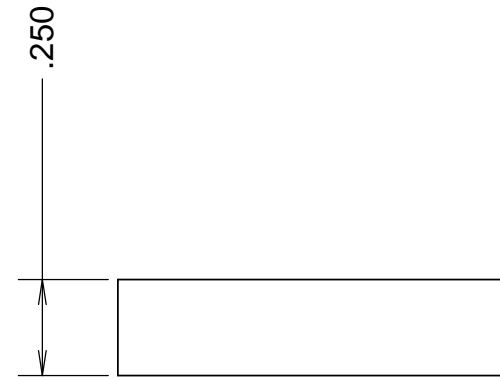


REVISIONS				
REV	DATE	DRW'N	CHCK'D	DESCRIPTION
A	10JUL18	CR	--	INITIAL RELEASE

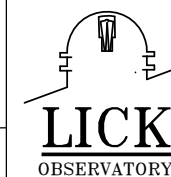


NOTES

- 1 CAD MODEL FILENAME, 872-LM2287 Washer
- 2. 300 SERIES STAINLESS OR 17-4PH STEEL OR SIMILAR

UNLESS OTHERWISE NOTED DIMENSIONS ARE IN INCHES & TOLERANCES ARE AS FOLLOWS

X.X: ±0.1000" X.XX: ±0.0100"
 X.XXX: ±0.0050" X.XXXX: ±0.0001"
 ANGLES: ±0.5° FINISH: 125 MICRO INCHES
 BREAK ALL SHARP EDGES
 & CORNERS .002" MAX



DRAWN	RATLIFF	--	KECK 1 DEPLOYABLE TERTIARY MIRROR
CHECKED	MARQUES	--	INNER DRUM
DESIGNED	RATLIFF	--	V-BLOCK ADJUSTMENT BLOCK WASHER
ENGINEER	RATLIFF	--	
MATERIAL	SEE NOTE 2.	FINISH	NA
SW DOCUMENT FILE	1	PROJECT CODE	K1D3FD
		NEXT ASSY	--
		DWG NO	872-LM2287
			A/1