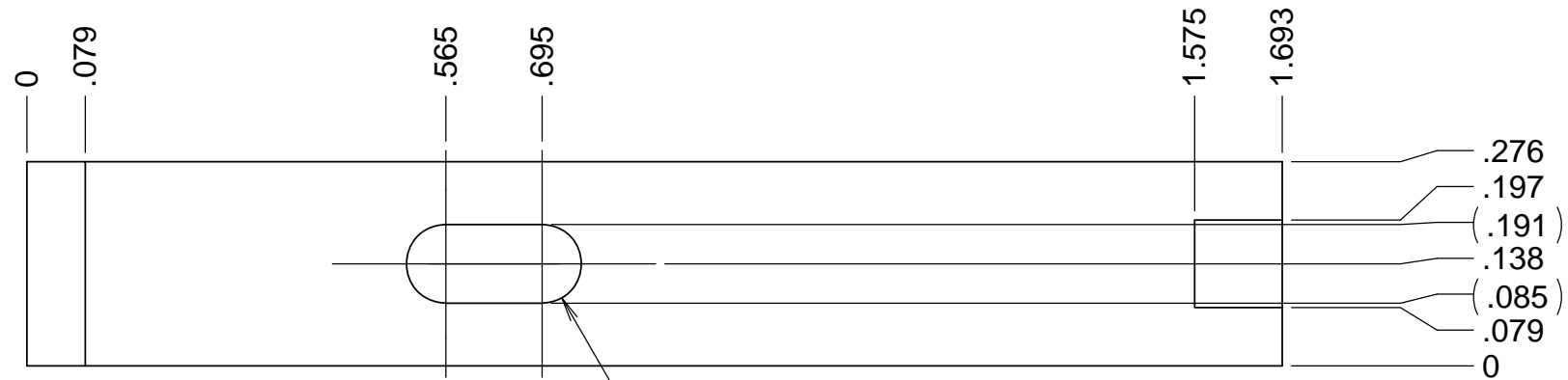
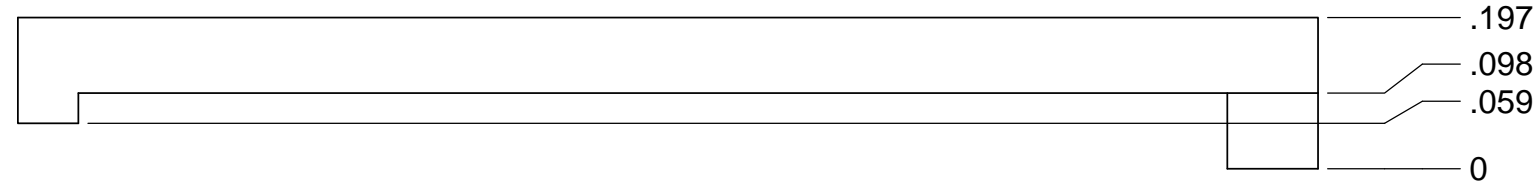
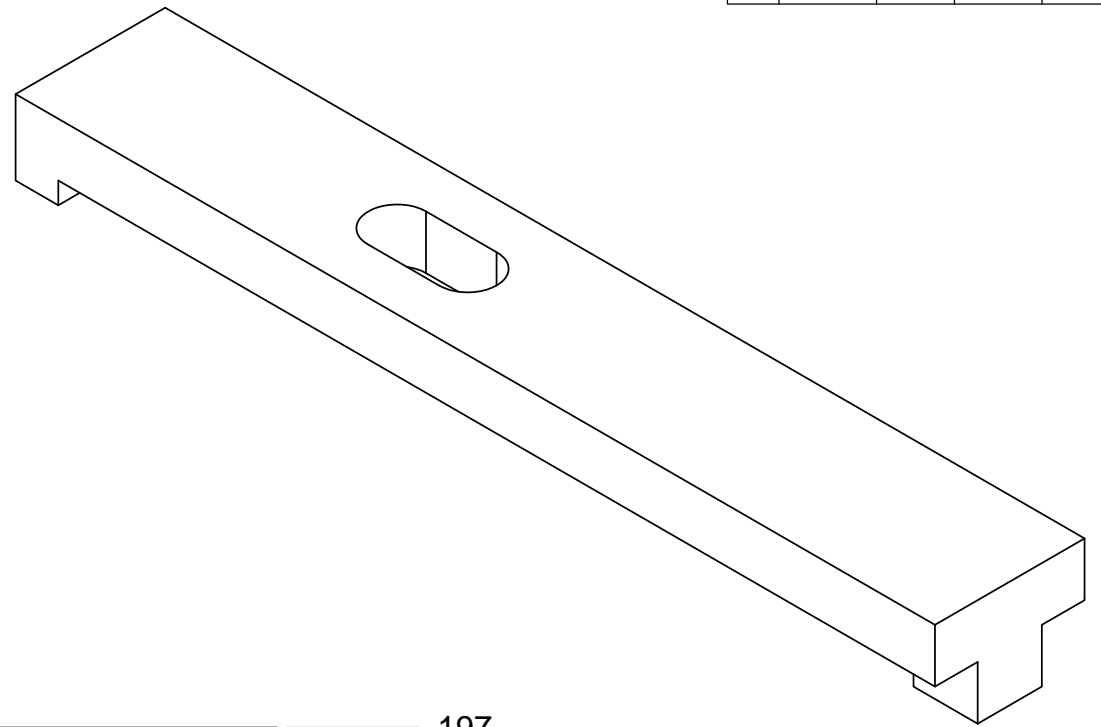


REVISIONS				
REV	DATE	DRW'N	CHCK'D	DESCRIPTION
A	3APR18	CR	--	INITIAL RELEASE



.106 X .236 THRU ALL

NOTES

- 1 CAD MODEL FILENAME, 872-LM2285 Switch Lock
2. 6061T6 ALUMINUM

UNLESS OTHERWISE NOTED DIMENSIONS ARE IN INCHES & TOLERANCES ARE AS FOLLOWS
 X.X: ±0.1000" X.XX: ±0.0100"
 X.XXX: ±0.0050" X.XXXX: ±0.0001"
 ANGLES: ±0.5° FINISH: 125 MICRO INCHES
 BREAK ALL SHARP EDGES & CORNERS .002" MAX

MATERIAL: SEE NOTE 2. FINISH: NA



DRAWN: RATLIFF --
 CHECKED: MARQUES --
 DESIGNED: RATLIFF --
 ENGINEER: RATLIFF --

SW DOCUMENT FILE: 1

PROJECT CODE: K1D3FD
 TITLE: SWITCH LOCK NUT

DWG NO: 872-LM2285
 NEXT ASSY: --
 A 1/1