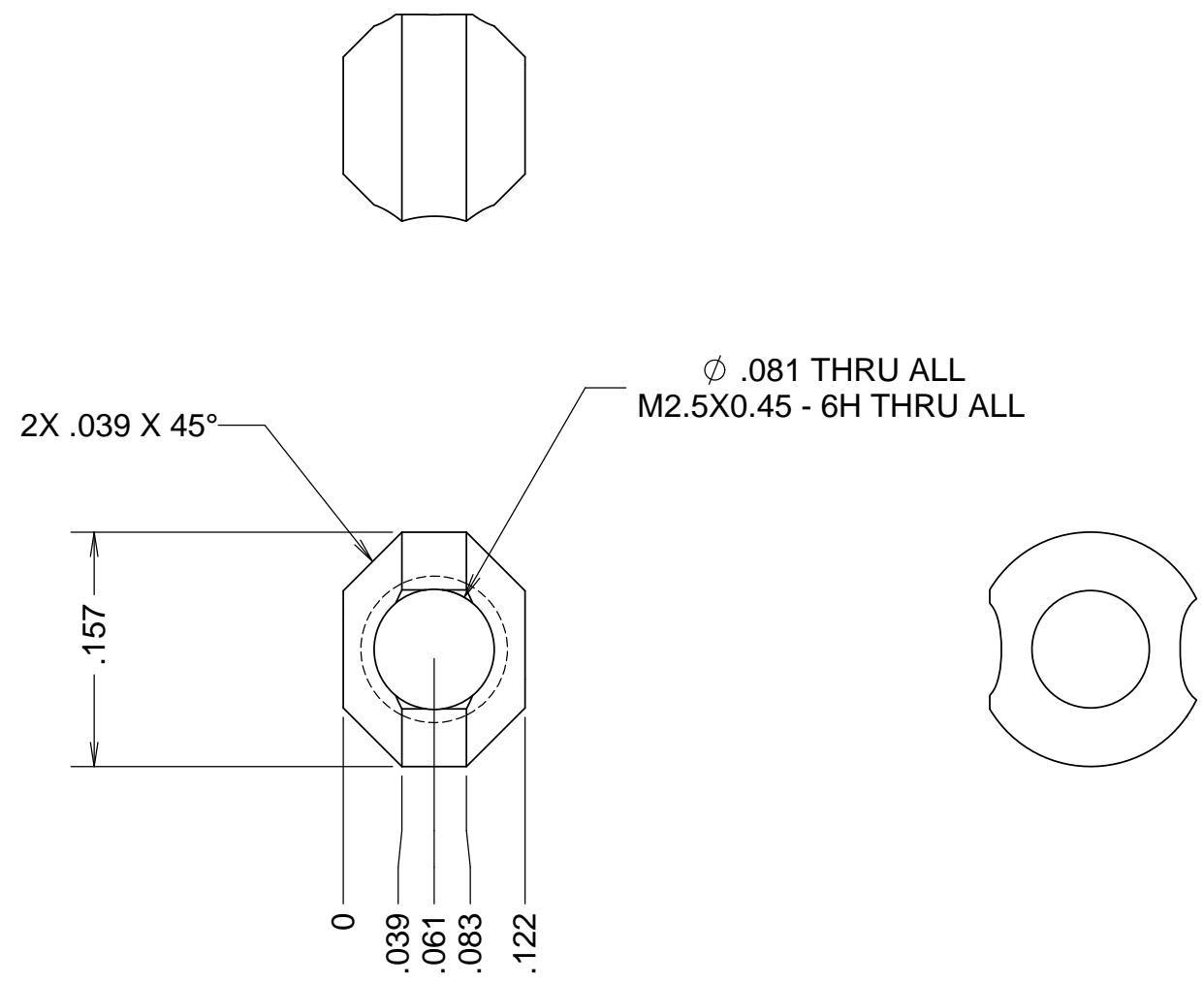


REVISIONS				
REV	DATE	DRW'N	CHCK'D	DESCRIPTION
A	3APR18	CR	--	INITIAL RELEASE

D
C
B
A

D
C
B
A



NOTES

- 1 CAD MODEL FILENAME, 872-LM2284 Switch Lock Nut
- 2. 300 SERIES STAINLESS STEEL

UNLESS OTHERWISE NOTED DIMENSIONS ARE IN INCHES & TOLERANCES ARE AS FOLLOWS X.X: ±0.1000" X.XX: ±0.0100" X.XXX: ±0.0050" X.XXXX: ±0.0001" ANGLES: ±0.5° FINISH: 125 MICRO INCHES BREAK ALL SHARP EDGES & CORNERS .002" MAX			DRAWN RATLIFF	--	PROJECT CODE K1D3FD	DWG NO 872-LM2284	<table border="1"> <tr> <td>A</td> </tr> <tr> <td>1/1</td> </tr> </table>	A	1/1
A									
1/1									
MATERIAL SEE NOTE 2.	FINISH NA	CHECKED MARQUES DESIGNED RATLIFF ENGINEER RATLIFF	--	TITLE SWITCH LOCK NUT	PROJECT CODE K1D3FD	DWG NO 872-LM2284			

8 7 6 5 4 3 2 1