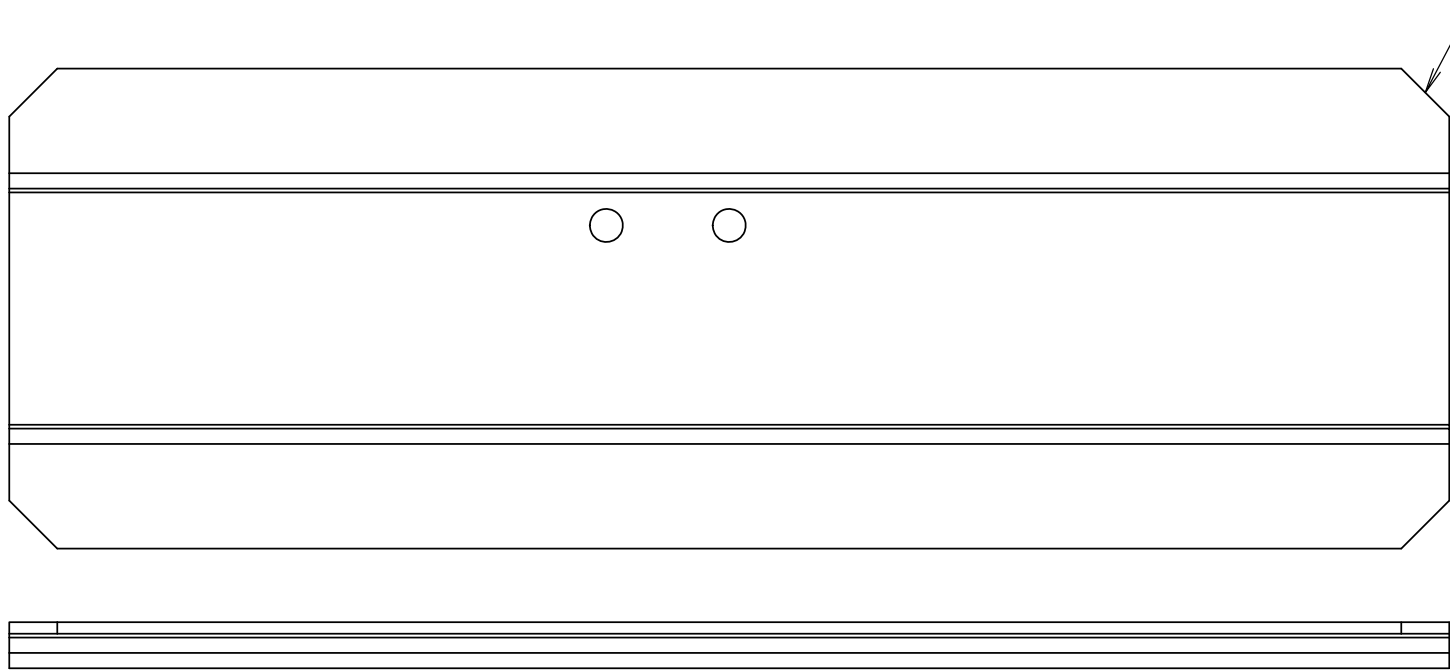
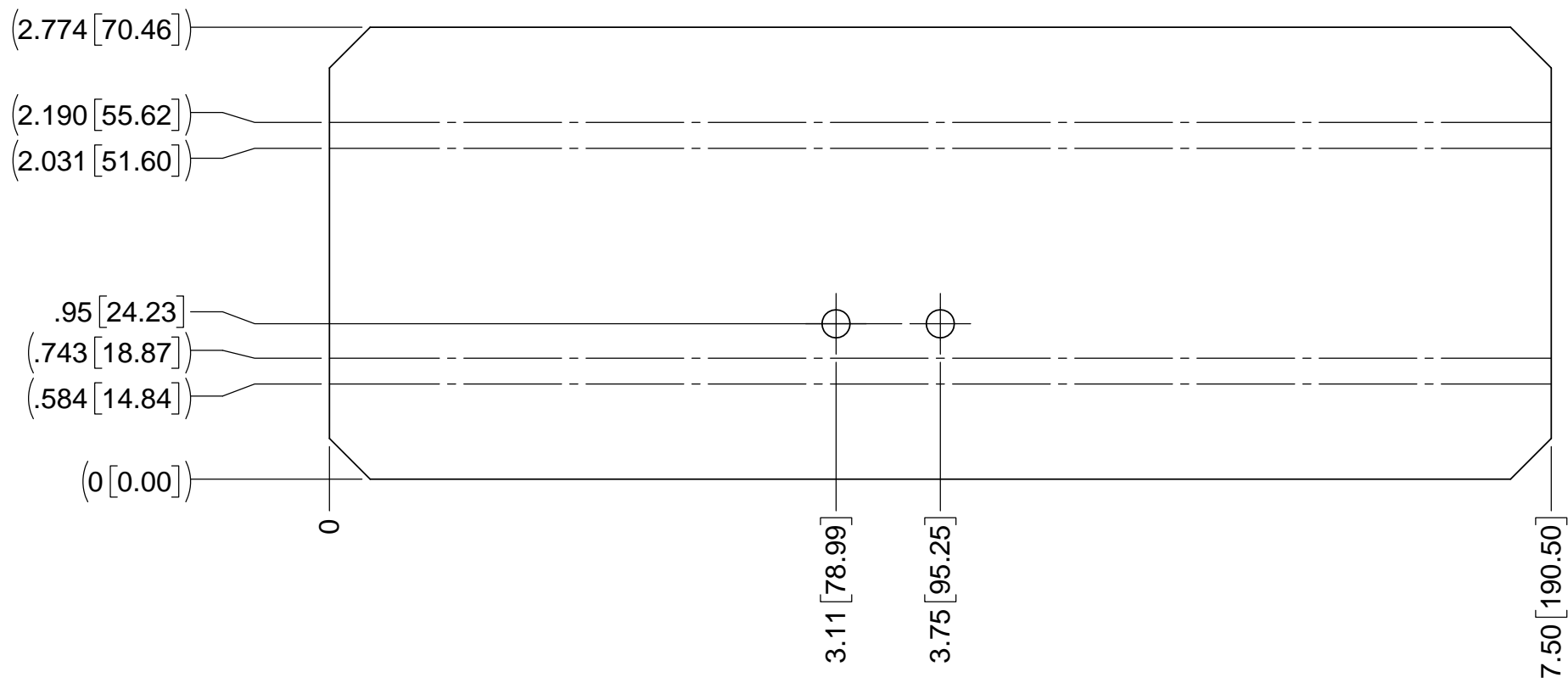
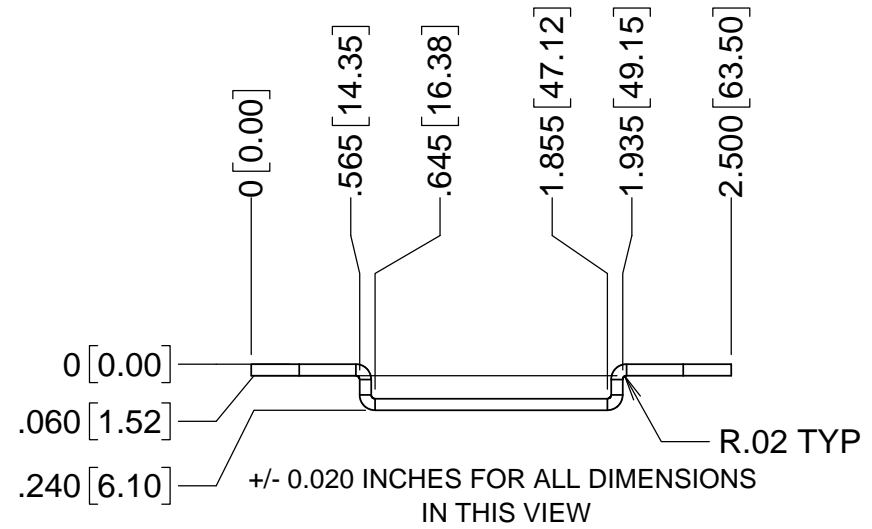


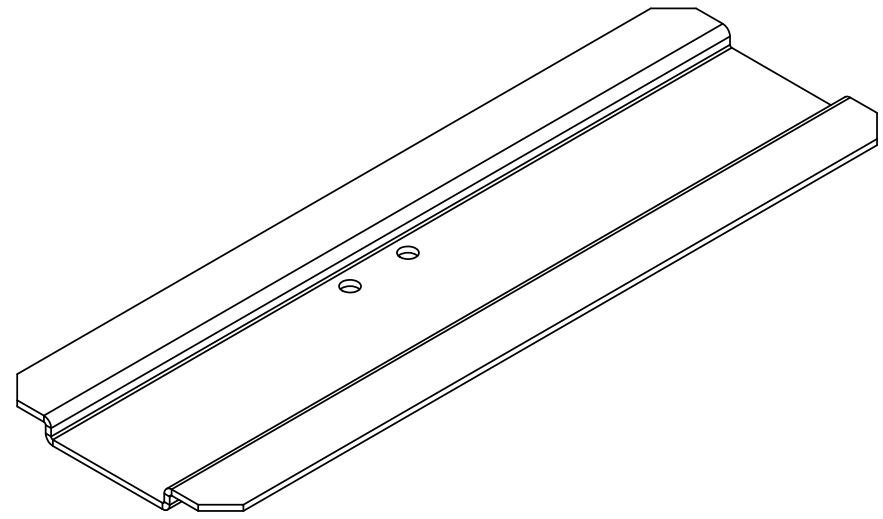
REVISIONS				
REV	DATE	DRW'N	CHK'D	DESCRIPTION
A	20FEB18	CR	--	INITIAL RELEASE



.25 X 45° TYP



FLAT PATTERN SHOWING BEND LINES



**NOTES**

- 1 CAD MODEL FILENAME, 872-LM2283 Solenoid Protecting Plate
- 2. 300 SERIES STAINLESS STEEL 16GA

UNLESS OTHERWISE NOTED DIMENSIONS ARE IN INCHES & TOLERANCES ARE AS FOLLOWS

X.X: ±0.1000" X.XX: ±0.0100"  
X.XXX: ±0.0050" X.XXXX: ±0.0001"  
ANGLES: ±0.5° FINISH: 125 MICRO INCHES  
BREAK ALL SHARP EDGES & CORNERS .002" MAX

MATERIAL	FINISH
SEE NOTE 2.	AEROGLAZE



DRAWN	RATLIFF	--	KECK 1 DEPLOYABLE TERTIARY MIRROR
CHECKED	--	--	INNER DRUM
DESIGNED	RATLIFF	--	TITLE
ENGINEER	RATLIFF	--	SOLENOID PROTECTING PLATE
SW DOCUMENT FILE	1	PROJECT CODE	K1D3FD
		DWG NO	872-LM2283
		NEXT ASSY	--
			A/1