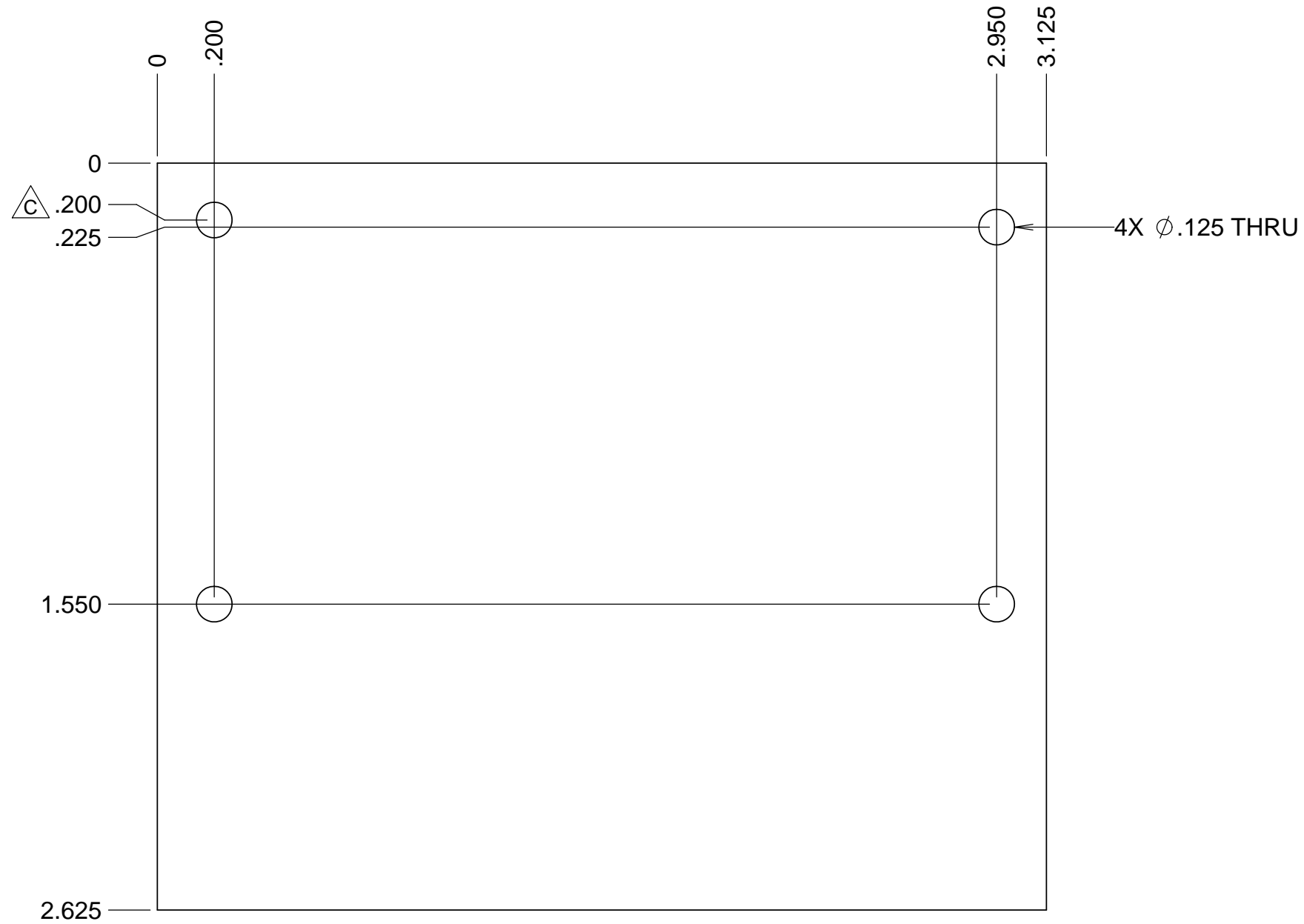


REV	DATE	DRW'N	CHCK'D	DESCRIPTION
A	3JAN18	GFC	--	INITIAL RELEASE
B	05JAN18	GFC	DC	MATERIAL & THICKNESS
C	08JAN18	GFC	DM	DIMENSION ADDED
D	09NOV18	GFC	BR(KECK)	NEXT ASSY ADDED



**NOTES**

1 CAD MODEL FILENAME, 872-LM2277 SolenoidPCB Cover

UNLESS OTHERWISE NOTED DIMENSIONS ARE IN INCHES & TOLERANCES ARE AS FOLLOWS

X.X:  $\pm 0.1000''$  X.XX:  $\pm 0.0100''$   
 X.XXX:  $\pm 0.0050''$  X.XXXX:  $\pm 0.0001''$   
 ANGLES:  $\pm 0.5^\circ$  FINISH: 125 MICRO INCHES  
 BREAK ALL SHARP EDGES  
 & CORNERS .002" MAX

MATERIAL: 1/8" AL PLATE FINISH: AEROGLAZE



DRAWN	CABAK	--	KECK 1 DEPLOYABLE TERTIARY MIRROR
CHECKED	--	--	INNER DRUM
DESIGNED	CABAK	--	TITLE
ENGINEER	CABAK	--	SOLENOID PCB COVER
SW DOCUMENT FILE	1	PROJECT CODE	K1D3FD
		DWG NO	872-LM2277
		NEXT ASSY	872-LM2000
			D 1/1