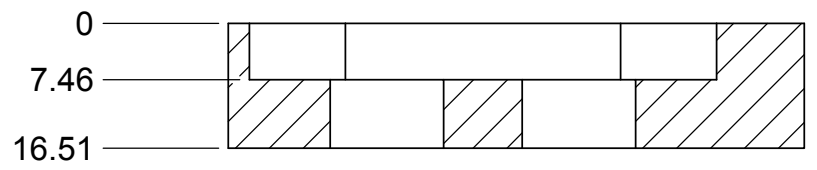
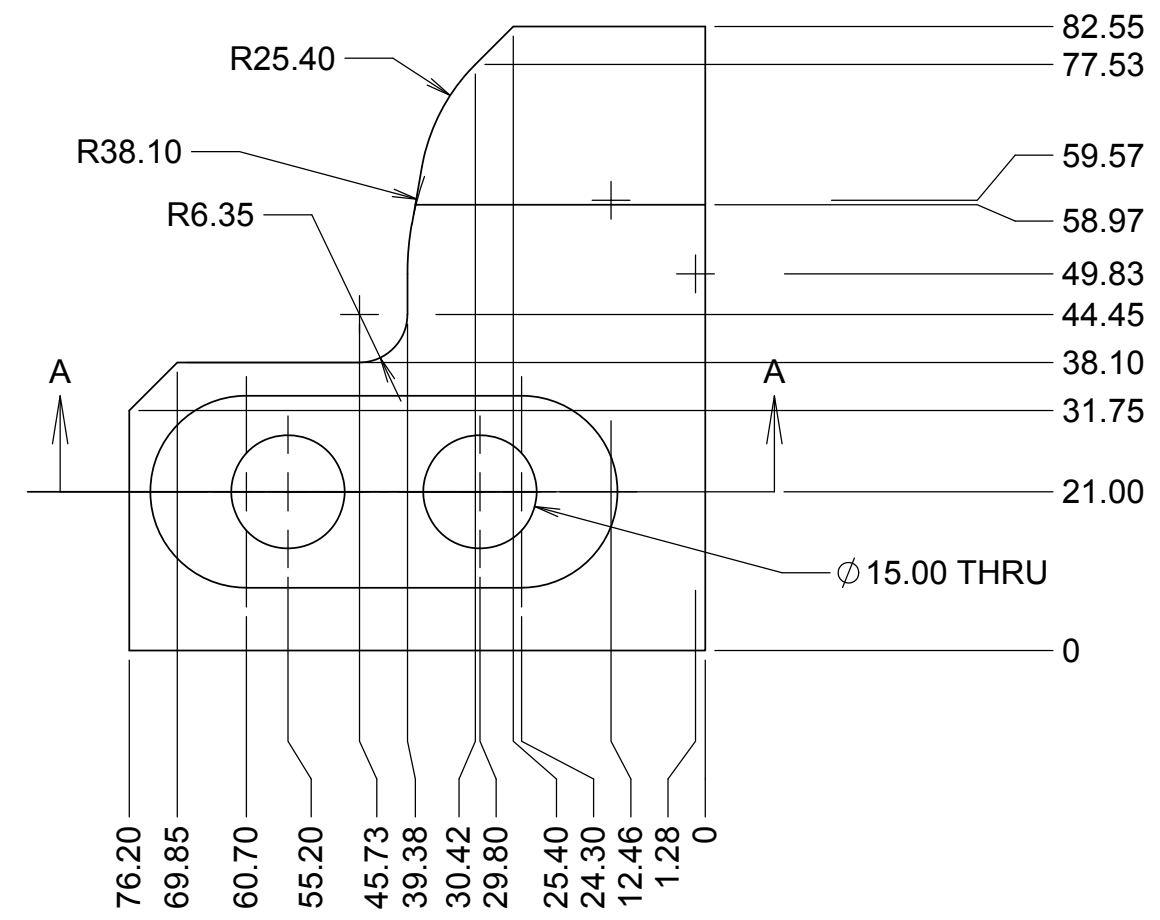
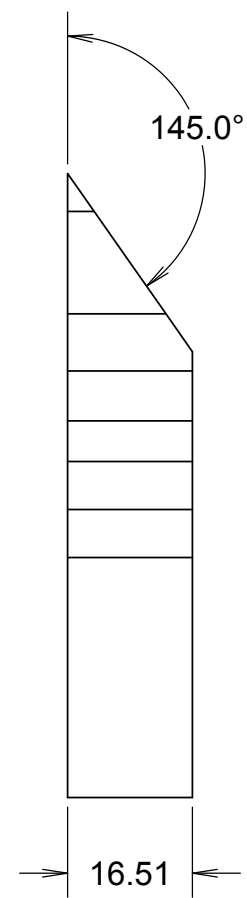
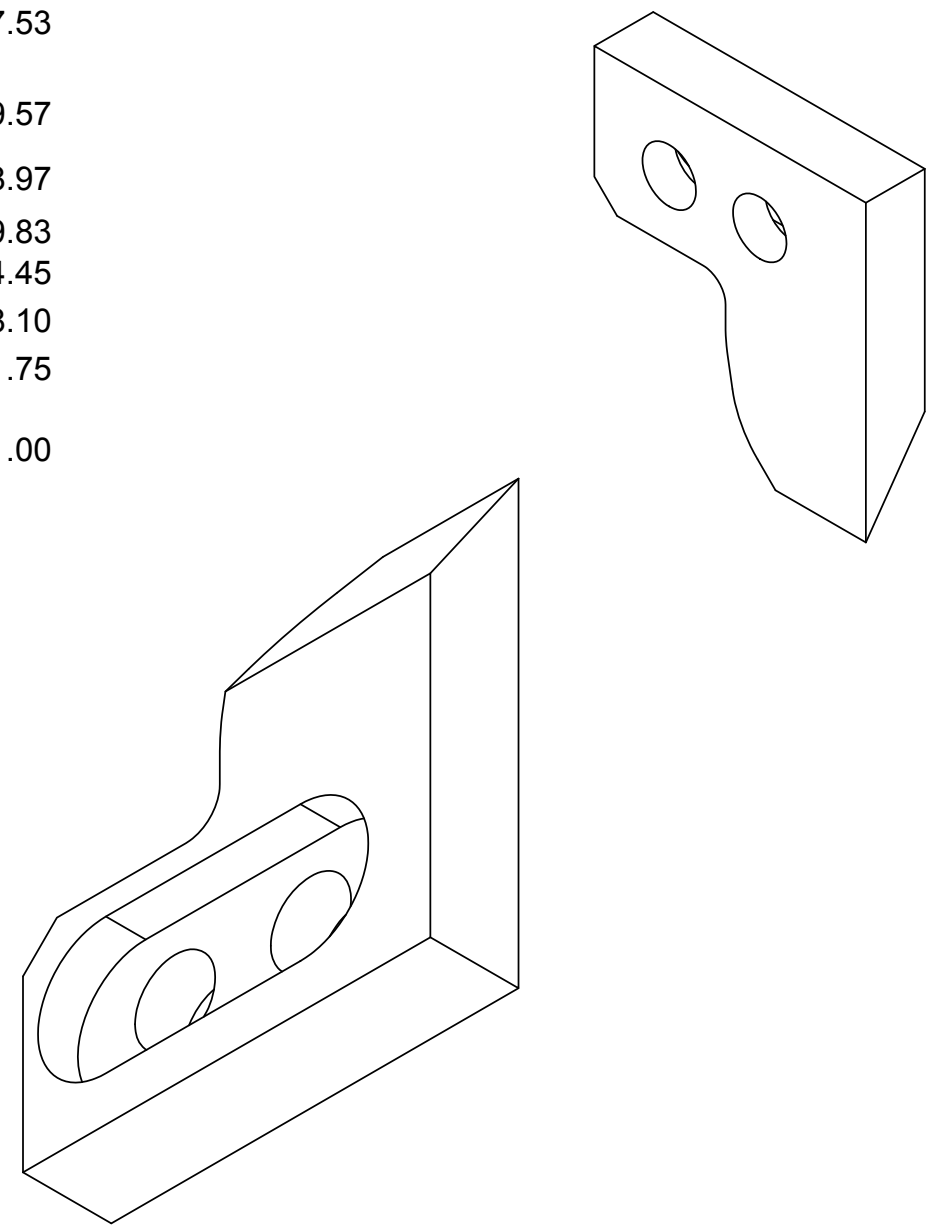


8 7 6 5 4 3 2 1

REVISIONS				
DRWN	DATE	CHK'D	REV	DESCRIPTION
CR	10OCT17		A	INITIAL RELEASE
CR	29NOV17		B	MATERIAL REMOVED



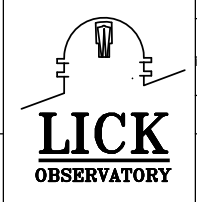
SECTION A-A
SCALE 1 : 1



NOTES

- 1 CAD MODEL FILENAME, 872-LM2265 SWING ARM GUIDE PART D
- 2 MATERIAL: BLACK DELRIN
3. BREAK ALL SHARP EDGES
4. USE OLD PART TO MAKE NEW PART

UNLESS OTHERWISE NOTED DIMENSIONS ARE IN MILLIMETERS & TOLERANCES ARE AS FOLLOWS:
 X.X: ±0.10 mm X.XX: ±0.05 mm
 ANGLES: ±0.5° FINISH: 3 MICRONS (µm)
 BREAK ALL SHARP EDGES & CORNERS .25mm MAX



DRAWN C. RATLIFF CHECKED DM	TDB	KECK 1 DEPLOYABLE TERTIARY MIRROR	
DESIGNED C. RATLIFF ENGINEER	NA	INNER DRUM	
SW DOCUMENT FILE 872-LM2265 SWING ARM GUIDE PART D		QUANTITY 1	PROJECT CODE K1D3FD NEXT ASSY 872-LM0000
MATERIAL SEE NOTES		FINISH	DWG NO 872-LM2265
			REV B 1

A B C D

8 7 6 5 4 3 2 1