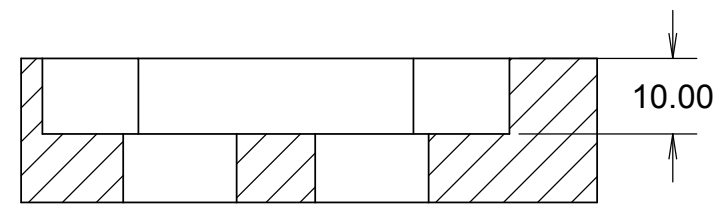
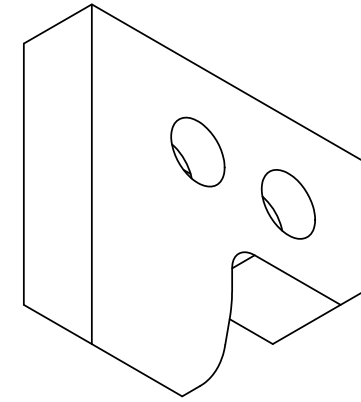
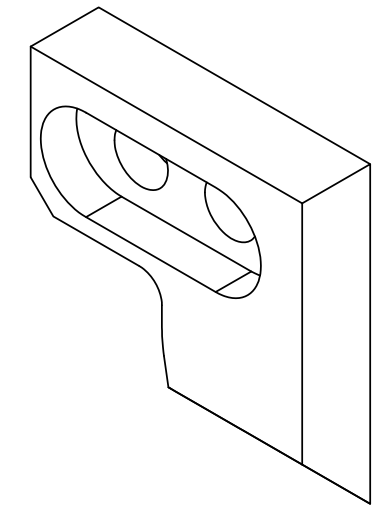
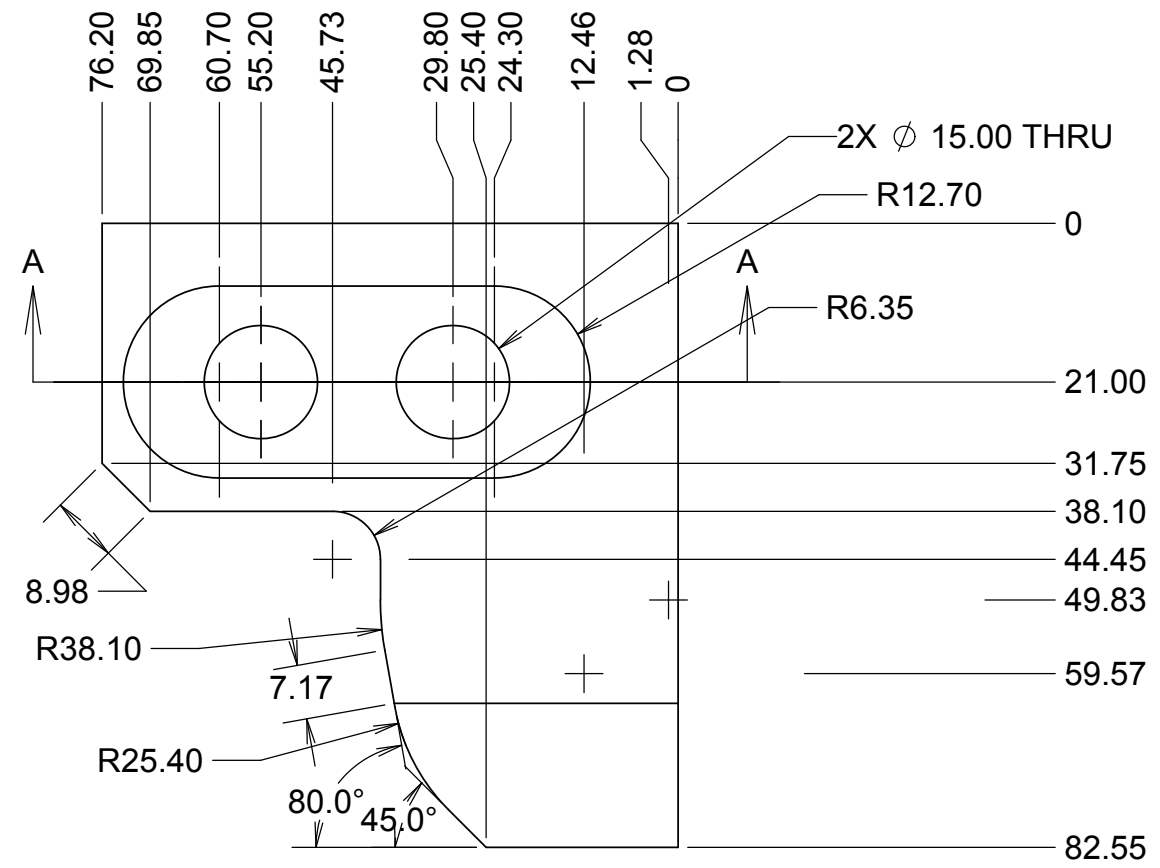
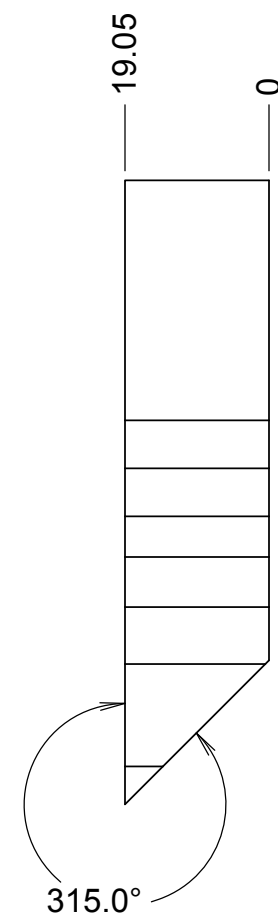


8 7 6 5 4 3 2 1

REVISIONS				
DRWN	DATE	CHK'D	REV	DESCRIPTION
CR	10OCT17		A	PRELIMINARY RELEASE
CR	28NOV17		B	REMOVED MATERIAL

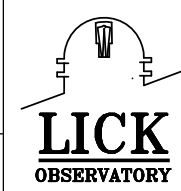


SECTION A-A
SCALE 1 : 1

NOTES

- 1 CAD MODEL FILENAME, 872-LM2261 SWING ARM GUIDE PART B
- 2 MATERIAL: BLACK DELRIN
- 3. BREAK ALL SHARP EDGES

UNLESS OTHERWISE NOTED DIMENSIONS ARE IN MILLIMETERS & TOLERANCES ARE AS FOLLOWS:
 X.X: ±0.10 mm X.XX: ±0.05 mm
 ANGLES: ±0.5° FINISH: 3 MICRONS (µm)
 BREAK ALL SHARP EDGES & CORNERS .25mm MAX



DRAWN C. RATLIFF		KECK 1 DEPLOYABLE TERTIARY MIRROR	
CHECKED DM	TBD	INNER DRUM	
DESIGNED C. RATLIFF	NA	TITLE SWING ARM GUIDE PART B	
ENGINEER		PROJECT CODE K1D3FD	DWG NO 872-LM2261
SW DOCUMENT FILE 872-LM 2261	QUANTITY 1	NEXT ASSY 872-LM0000	REV B 1

A B C D

8 7 6 5 4 3 2 1