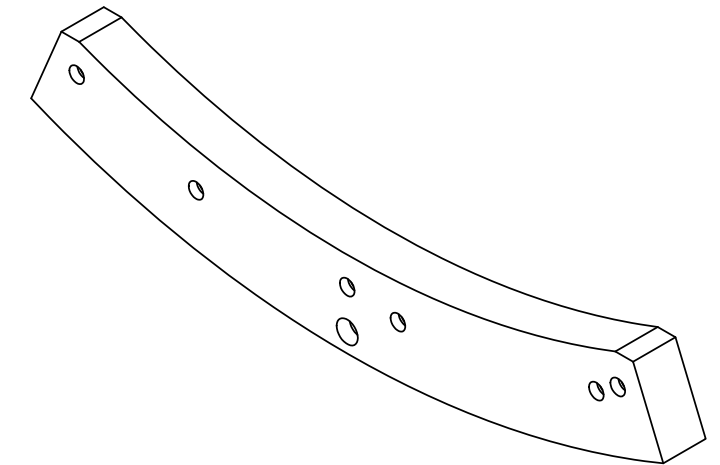
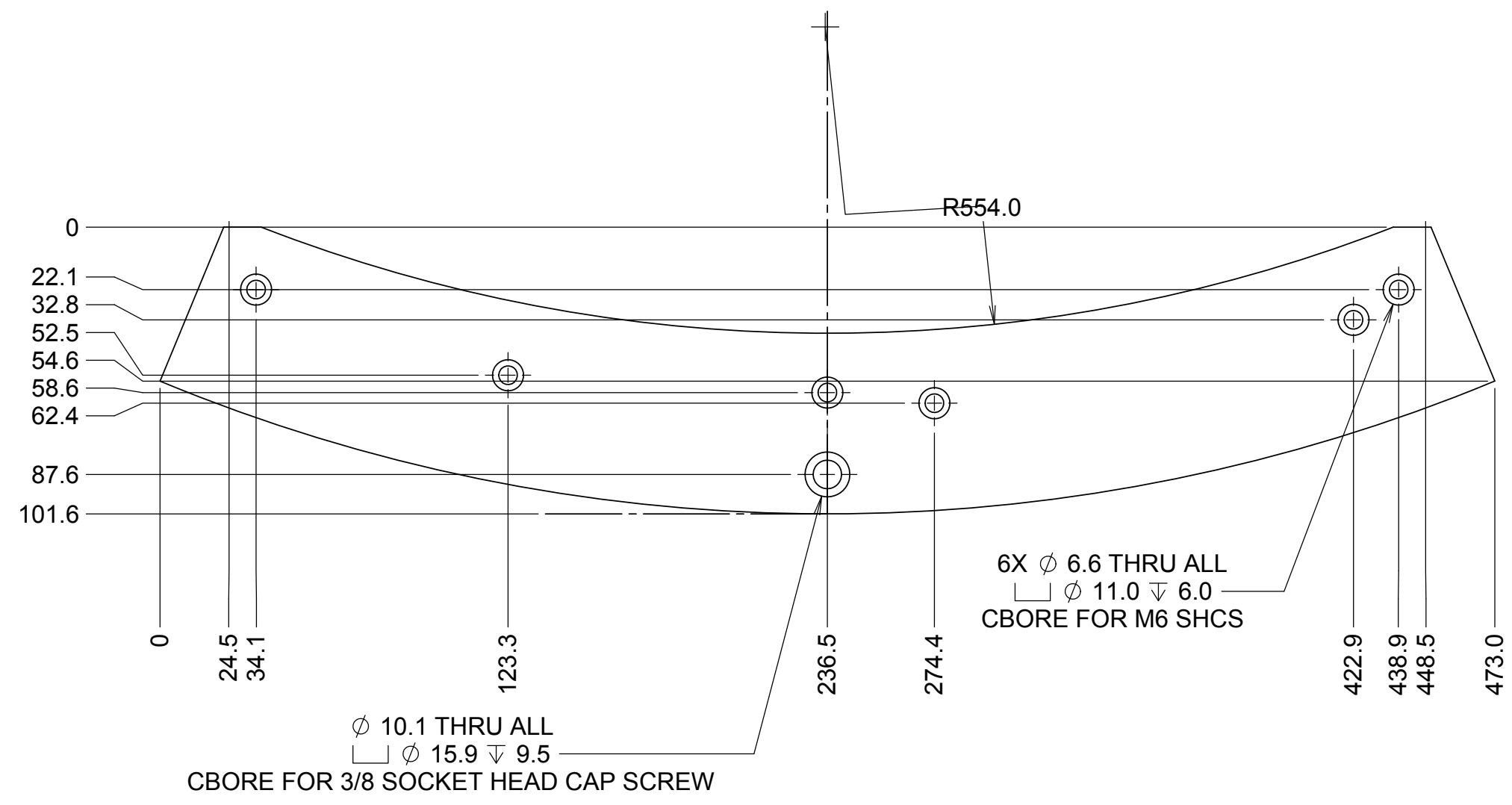
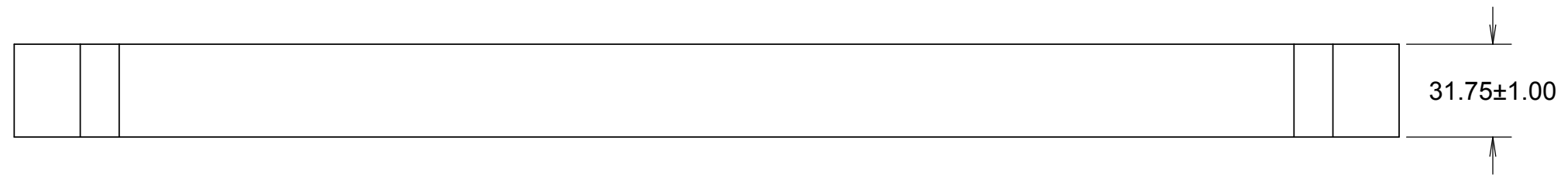
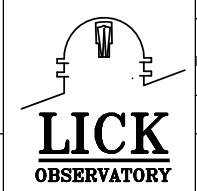


REVISIONS				
DRWN	DATE	CHK'D	REV	DESCRIPTION
CR	4OCT17		A	PRELIMINARY RELEASE



- NOTES**
- CAD MODEL FILENAME, 872-LM2259 Counterweight C
 - MATERIAL: BRASS
 - BREAK ALL SHARP EDGES
 - PAINT BLACK WITH BEST KNOWN METHODS AFTER FIT CHECK

UNLESS OTHERWISE NOTED DIMENSIONS ARE IN MILLIMETERS & TOLERANCES ARE AS FOLLOWS:
 X.X: ±0.10 mm X.XX: ±0.05 mm
 ANGLES: ±0.5° FINISH: 3 MICRONS (µm)
 BREAK ALL SHARP EDGES & CORNERS .25mm MAX



DRAWN C. RATLIFF		KECK 1 DEPLOYABLE TERTIARY MIRROR	
CHECKED DM DC	TBD	INNER DRUM	
DESIGNED C. RATLIFF	NA	COUNTERWEIGHT C	
ENGINEER			
MATERIAL SEE NOTES	FINISH	SW DOCUMENT FILE 872-LM2259 Counterweight C	QUANTITY 2
		PROJECT CODE K1D3FD	DWG NO 872-LM0000
			REV A
			1