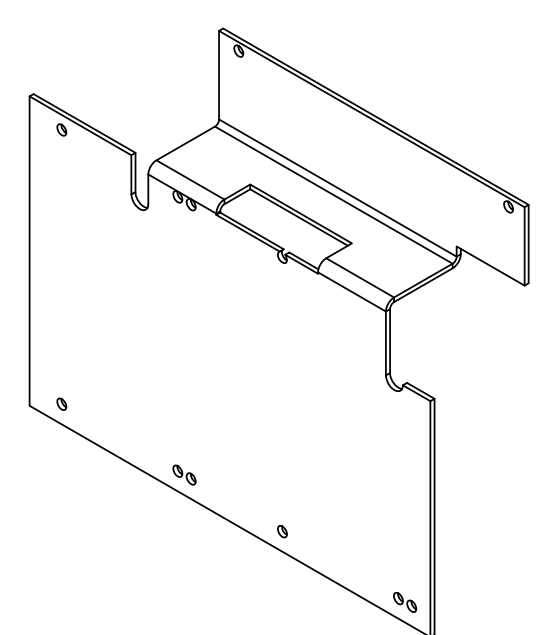
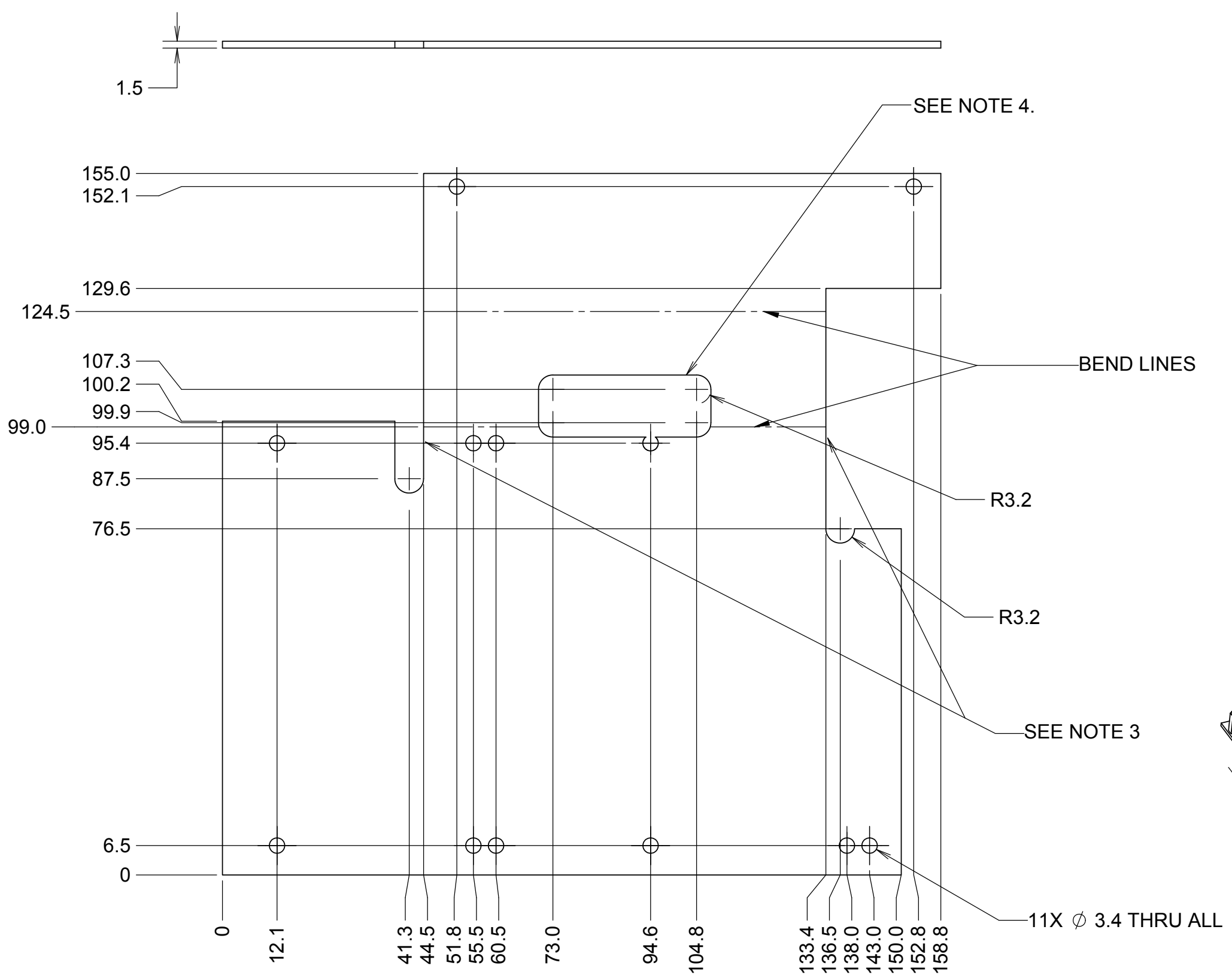


REVISIONS

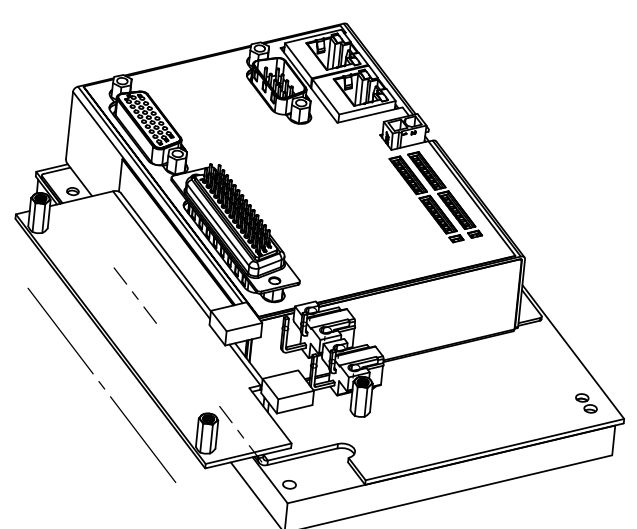
| DRWN | DATE | CHK'D | REV | DESCRIPTION |
|------|---------|-------|-----|---------------------|
| CR | 18MAY17 | | A | PRELIMINARY RELEASE |
| CR | 23MAY17 | | | ADDED HOLES |

D
C
B
A

D
C
B
A



AFTER BENDING

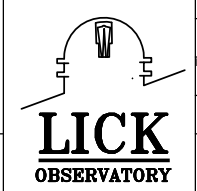


MOUNTED WITH RIO

NOTES

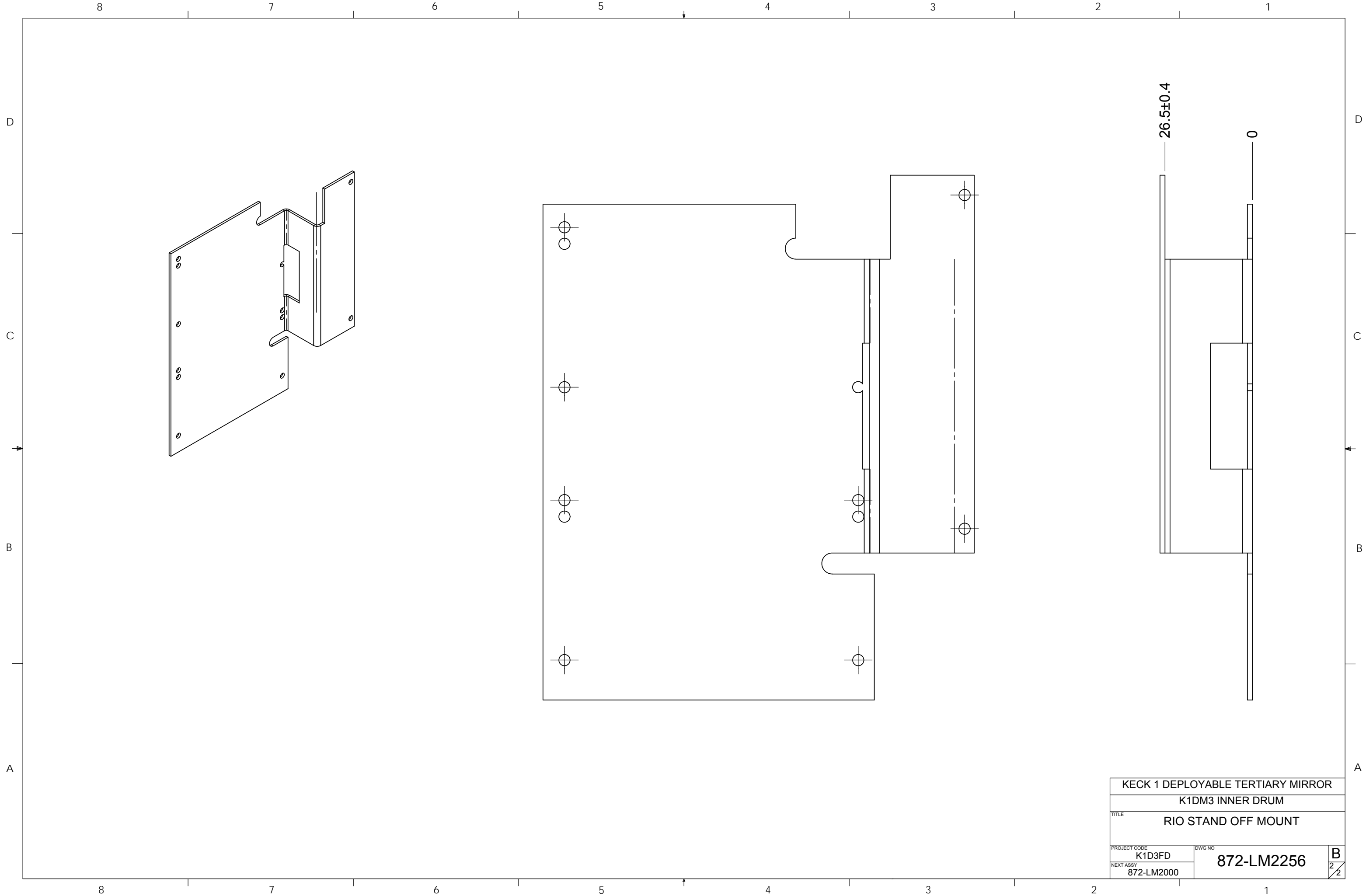
- 1 CAD MODEL FILENAME, 872-LM2256 RIO Stand Off Mount
- 2 MATERIAL: 16 GAUGE SHEET METAL
- 3. BREAK SHARP EDGES

UNLESS OTHERWISE NOTED DIMENSIONS ARE IN MILLIMETERS & TOLERANCES ARE AS FOLLOWS:
 X.X: ±0.10 mm X.XX: ±0.01 mm
 ANGLES: ±0.5° FINISH: 3 MICRONS (µm)
 BREAK ALL SHARP EDGES & CORNERS .25mm MAX



| | | | |
|--|----------------------|-----------------------------------|-----------------------------|
| DRAWN C. RATLIFF | | KECK 1 DEPLOYABLE TERTIARY MIRROR | |
| CHECKED JW DM | TBD | K1DM3 INNER DRUM | |
| DESIGNED C. RATLIFF | NA | RIO STAND OFF MOUNT | |
| ENGINEER | | | |
| SW DOCUMENT FILE 872-LM2256 RIO STAND OFF MOUNT | QUANTITY 1 | PROJECT CODE K1D3FD | DWG NO 872-LM2256 |
| | | NEXT ASSY 872-LM2000 | REV B 1 2 |

8 7 6 5 4 3 2 1



| | | | | | | | |
|--------------|--|------------|--|--------|--|---------------------|--|
| PROJECT CODE | | K1D3FD | | DWG NO | | 872-LM2256 | |
| NEXT ASSY | | 872-LM2000 | | TITLE | | RIO STAND OFF MOUNT | |
| | | | | | | B | |
| | | | | | | 2/2 | |