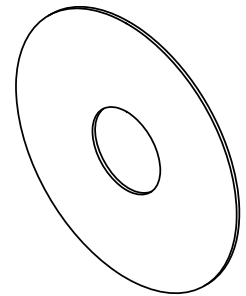
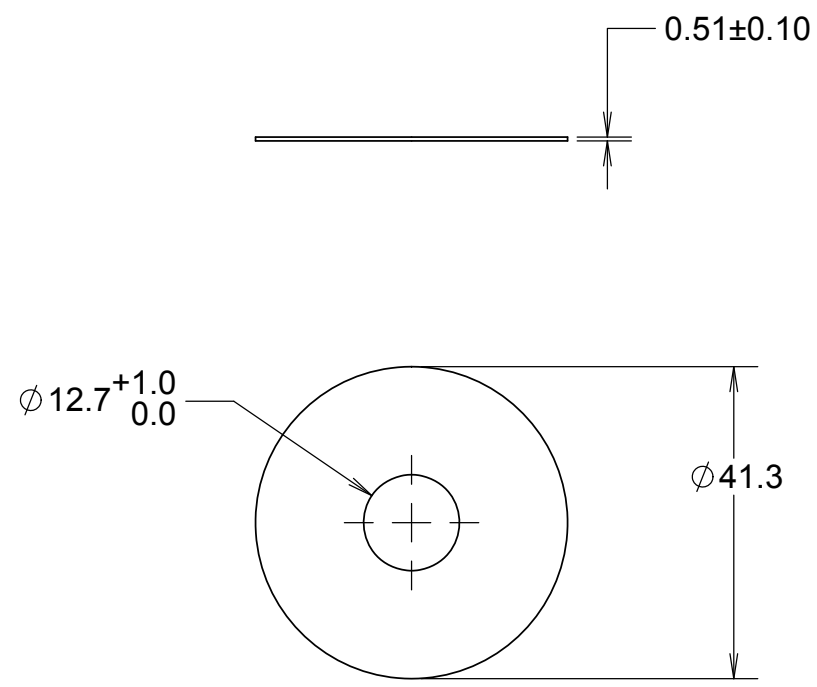


REVISIONS				
DRWN	DATE	CHK'D	REV	DESCRIPTION
CR	4/11/17		A	INITIAL RELEASE



NOTES

- 300 SERIES STAINLESS STEEL OR HARDER STAINLESS STEEL
- SMOOTH, PREFERABLY LESS THAN 63 MICROINCH ROUGHNESS

UNLESS OTHERWISE NOTED DIMENSIONS ARE IN MILLIMETERS & TOLERANCES ARE AS FOLLOWS: X.X: ±0.10 mm X.XX: ±0.01 mm ANGLES: ±0.5° FINISH: 3 MICRONS (µm) BREAK ALL SHARP EDGES & CORNERS .25mm MAX			DRAWN C. RATLIFF	KECK 1 DEPLOYABLE TERTIARY MIRROR		
MATERIAL SEE NOTE 1			FINISH SEE NOTE 2	CHECKED DM	INNER DRUM	
			DESIGNED J.WARD	4/11/17	TITLE HINGE WASHER	
			ENGINEER	QUANTITY 2	PROJECT CODE K1D3FD	DWG NO 872-LM0000
			SW DOCUMENT FILE 872-LM2254	REV A	872-LM2254	