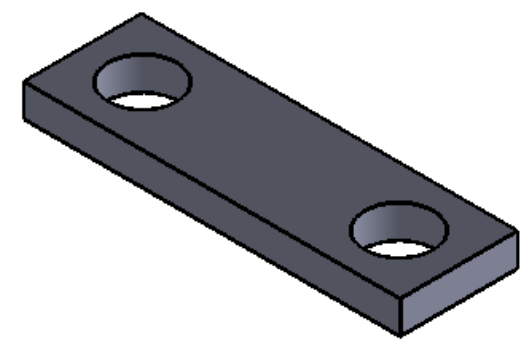
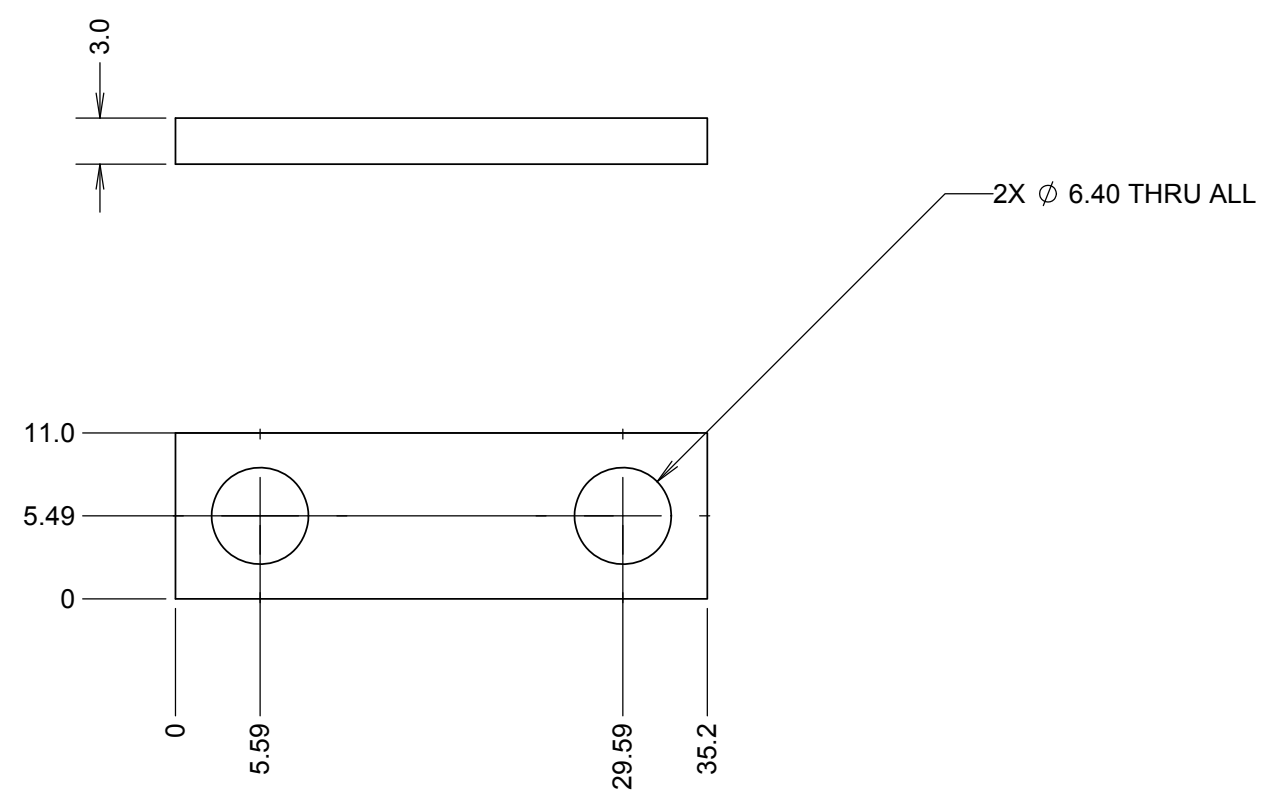




REVISIONS				
REV	DATE	DRWN	CHK'D	DESCRIPTION
A	2/2/2017	CR		INITIAL RELEASE



**NOTES**  
 1. STAINLESS STEEL

UNLESS OTHERWISE NOTED DIMENSIONS ARE IN MILLIMETERS & TOLERANCES ARE AS FOLLOWS: X.X: ±0.10 mm X.XX: ±0.01 mm ANGLES: ±0.5° FINISH: 3 MICRONS (µm) BREAK ALL SHARP EDGES & CORNERS .25mm MAX			DRAWN <b>RATLIFF</b> 2/2/2017	KECK 1 DEPLOYABLE TERTIARY MIRROR	
			CHECKED <b>J. WARD</b> 2/3/2017	ROTARY STRUCTURE	
			DESIGNED --	TITLE <b>CLAMP WASHER PLATE</b>	
			ENGINEER --	QUANTITY <b>4</b>	PROJECT CODE --
MATERIAL SEE NOTE 1	FINISH NA		SW DOCUMENT FILE 872-LM2247.SLDPRT	NEXT ASSY 872-LM2242	DWG NO <b>872-LM2247</b>
				REV <b>A</b>	1/1