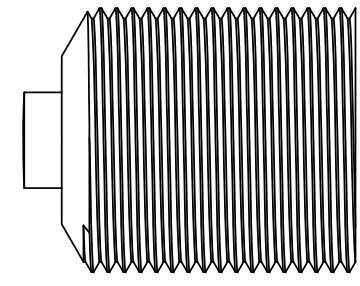
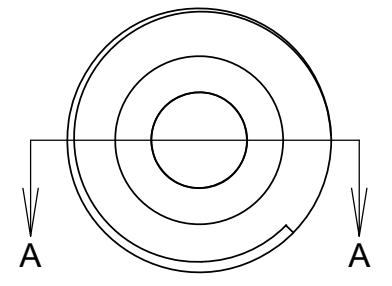
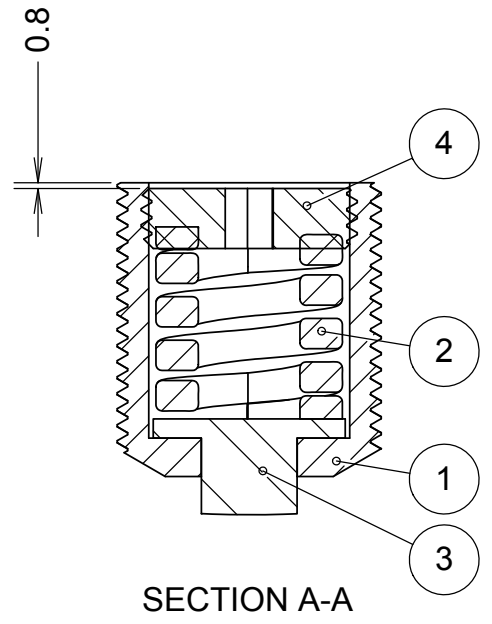


REVISIONS				
REV	DATE	DRWN	CHCK'D	DESCRIPTION
A	2/3/17	CR	--	INITIAL RELEASE



ITEM NO.	PartNo	DESCRIPTION	QTY.
1	872-LM2240	DIE SPRING HOUSING	1
2	MC 9588K390	DIE SPRING	1
3	872-LM2243	M2 STEEL SPRING PLUNGER	1
4	872-LM2244	SCREW CAP, MODIFIED	1

**NOTES**

- ITEM 872-LM2244 TO BE TACK WELDED TO 872-LM2240 AFTER FINAL ASSEMBLY

UNLESS OTHERWISE NOTED DIMENSIONS ARE IN MILLIMETERS & TOLERANCES ARE AS FOLLOWS: X.X: ±0.10 mm X.XX: ±0.01 mm ANGLES: ±0.5° FINISH: 3 MICRONS (µm) BREAK ALL SHARP EDGES & CORNERS .25mm MAX			DRAWN: <b>CRATLIFF</b> 2/2/17 CHECKED: -- -- DESIGNED: <b>RATLIFF</b> ENGINEER: -- -- PROJECT CODE: <b>K1DM3</b> DWG NO: <b>872-LM2246</b>	<b>KECK 1 DEPLOYABLE TERTIARY MIRROR STOW AND DEPLOY SYSTEM</b> <b>CLAMP SPRING ASSEMBLY</b>	QUANTITY: <b>BOM</b> SW DOCUMENT FILE: 872-LM2212.SLDPRT NEXT ASSY: 872-LM2242	REV: <b>A</b> 1/1
PARTS LIST	FINISH		PROJECT CODE: <b>K1DM3</b> DWG NO: <b>872-LM2246</b>			