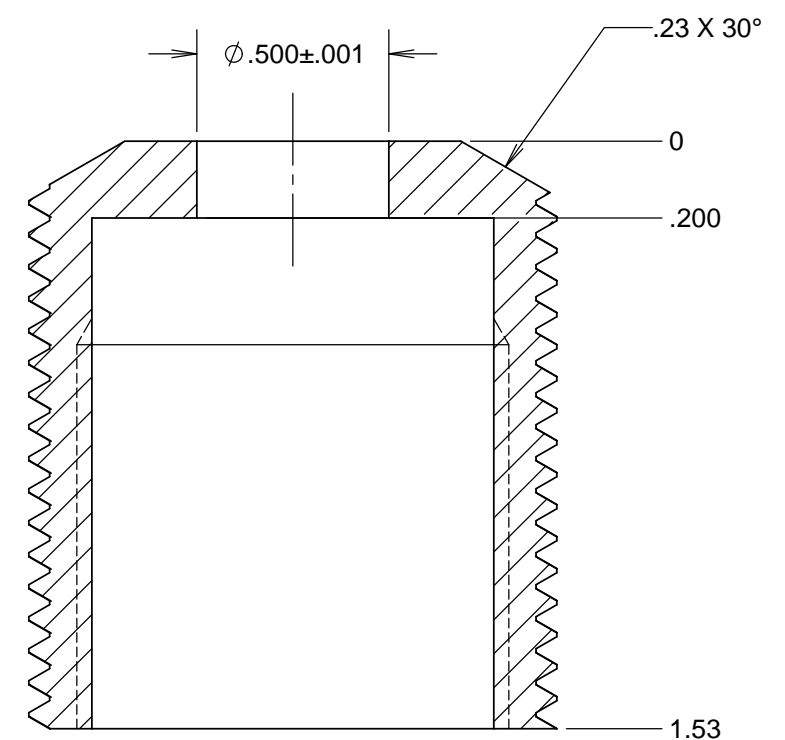
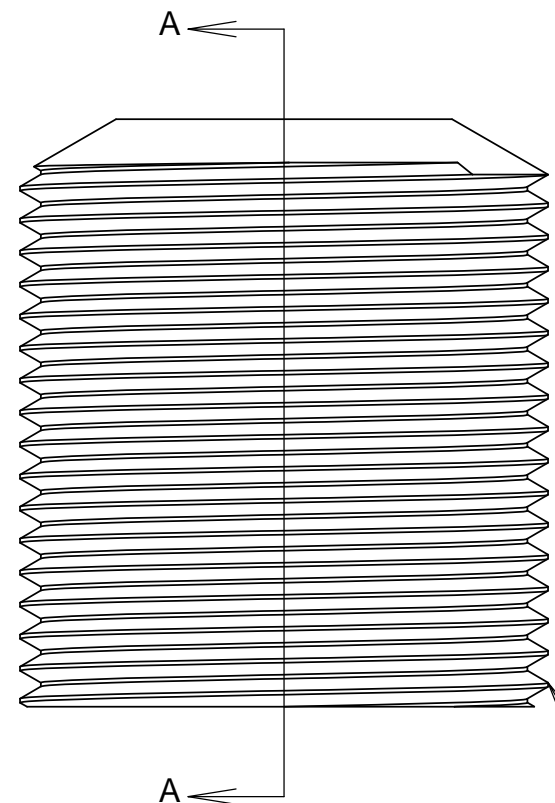
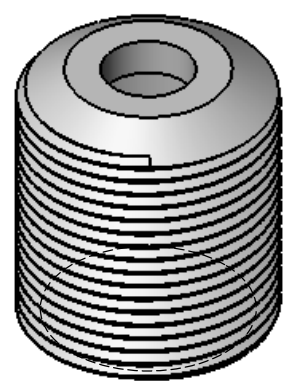


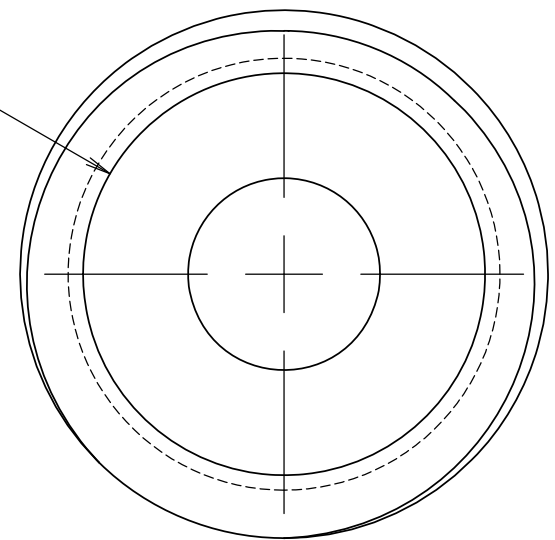
REVISIONS				
REV	DATE	DRWN	CHK'D	DESCRIPTION
A	2/2/2017	CR		INITIAL RELEASE



SECTION A-A
SCALE 2 : 1




$\phi 1.05 \nabla 1.33$
1-1/8-12 UNF $\nabla 1.00$



1-3/8-12

- NOTES**
- BRASS OR STAINLESS STEEL, CAN USE MCMASTER CARR P/N 98957A415
 - $\phi 0.982$ SPRING MUST FIT INSIDE

UNLESS OTHERWISE NOTED DIMENSIONS ARE IN INCHES & TOLERANCES ARE AS FOLLOWS X.X: $\pm 0.1000''$ X.XX: $\pm 0.0100''$ X.XXX: $\pm 0.0050''$ X.XXXX: $\pm 0.0001''$ ANGLES: $\pm 0.5^\circ$ FINISH: 125 MICRO INCHES BREAK ALL SHARP EDGES & CORNERS .002" MAX			DRAWN RATLIFF	2/2/2017	KECK 1 DEPLOYABLE TERTIARY MIRROR	
MATERIAL SEE NOTE 1	FINISH NA		CHECKED J. WARD	2/3/2017	ROTARY	
			DESIGNED --	--	TITLE DIE SPRING HOUSING	
			ENGINEER --	--		
			SW DOCUMENT FILE	QUANTITY 2	PROJECT CODE --	DWG NO 872-LM2240
			NEXT ASSY NEXT ASSY		RE A 1 1	