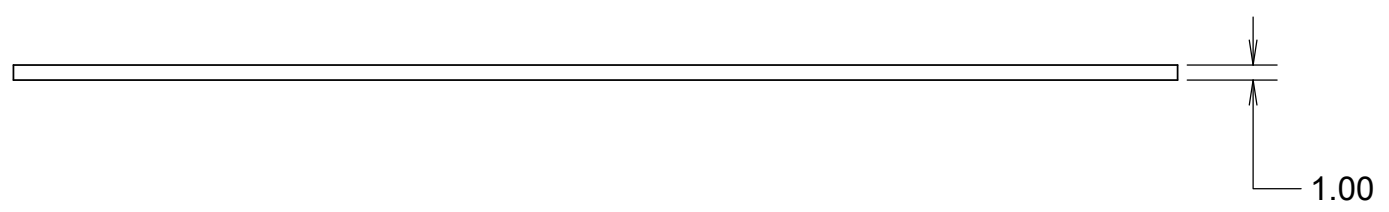
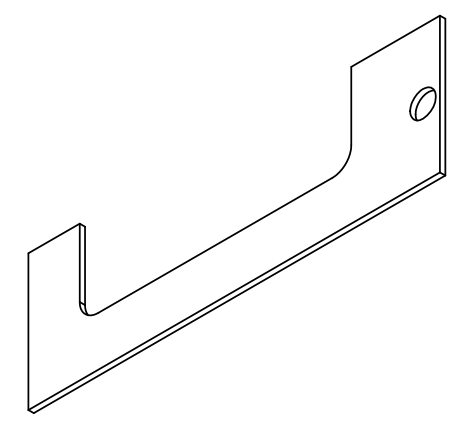
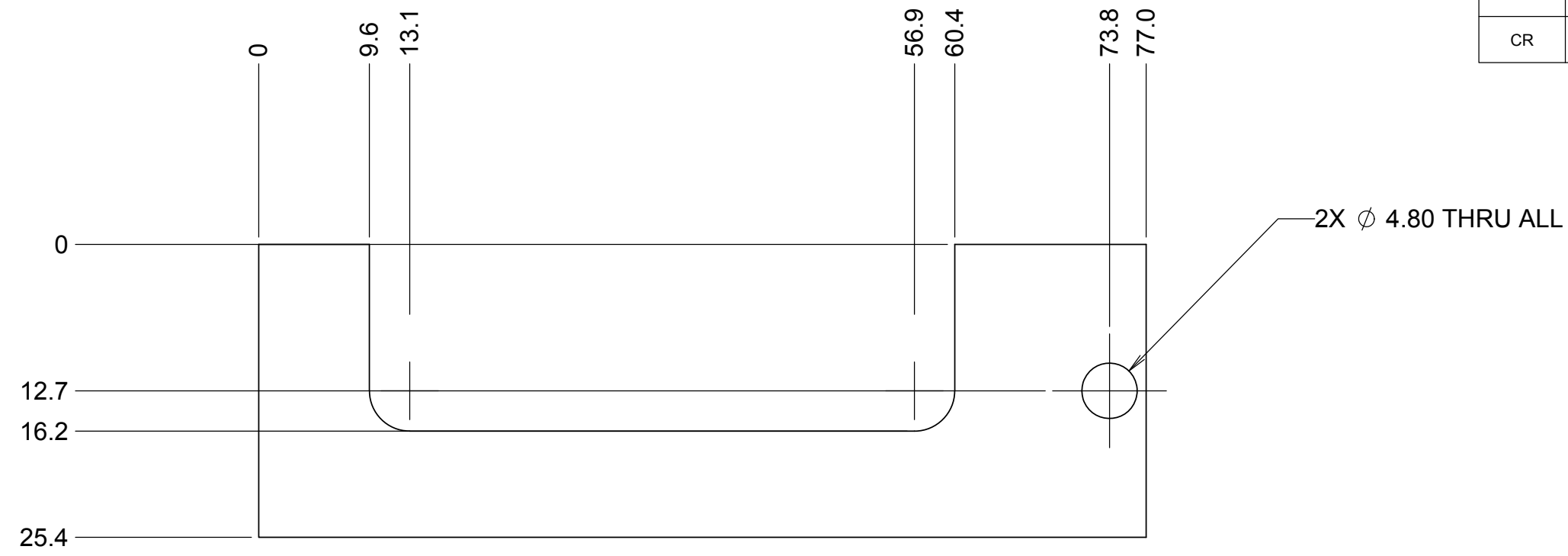


REVISIONS				
DRWN	DATE	CHK'D	REV	DESCRIPTION
CR	30NOV16		A	PRELIMINARY RELEASE



NOTES:  
1. MATERIAL: STAINLESS STEEL SHIM STOCK

UNLESS OTHERWISE NOTED DIMENSIONS ARE IN MILLIMETERS & TOLERANCES ARE AS FOLLOWS: X.X: ±0.10 mm X.XX: ±0.01 mm ANGLES: ±0.5° FINISH: 3 MICRONS (µm) BREAK ALL SHARP EDGES & CORNERS .25mm MAX			DRAWN C. RATLIFF		KECK 1 DEPLOYABLE TERTIARY MIRROR	
SEE NOTE 1			CHECKED J. WARD		ROTARY SUPPORT STRUCTURE	
			DESIGNED CR	11/30/16	TITLE STAINLESS SHIM FOR CONTACTS, 1MM	
			ENGINEER C. RATLIFF	11/30/16	QUANTITY TBD	PROJECT CODE K1D3FD
			SW DOCUMENT FILE 872-LM2236.SLDPRT		NEXT ASSY KDM2218	DWG NO 872-LM2236
						REV A 1/1