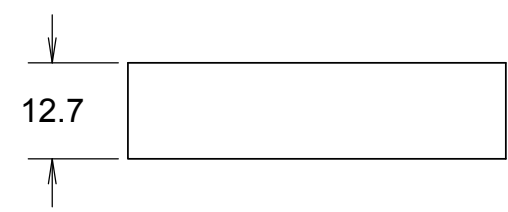
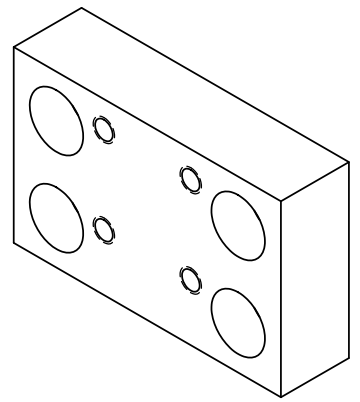
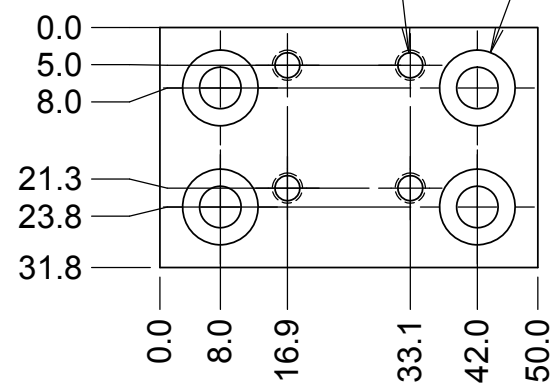


REVISIONS				
DRWN	DATE	CHK'D	REV	DESCRIPTION
CR	11/1/2016		A	PRELIMINARY RELEASE

4X ϕ 3.30 THRU
M4X0.7 - 6H THRU

4X ϕ 5.50 THRU
 \square ϕ 10.0 ∇ 7.0

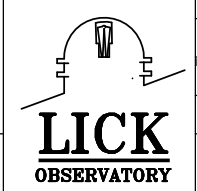


NOTES

1. MATERIAL: ALUMINUM OR DELRIN

UNLESS OTHERWISE NOTED DIMENSIONS ARE IN MILLIMETERS & TOLERANCES ARE AS FOLLOWS:
 X.X: ± 0.10 mm X.XX: ± 0.01 mm
 ANGLES: $\pm 0.5^\circ$ FINISH: 3 MICRONS (μ m)
 BREAK ALL SHARP EDGES & CORNERS .25mm MAX

MATERIAL	FINISH
SEE NOTE 1	--



DRAWN C. RATLIFF		KECK 1 DEPLOYABLE TERTIARY MIRROR	
CHECKED J. WARD		TOOLING	
DESIGNED C. RATLIFF	11/1/16	TITLE CLAMP SOLENOID VALVE MOUNT BLOCK	
ENGINEER C. RATLIFF	11/1/16	QUANTITY 2	PROJECT CODE K1D3FD
SW DOCUMENT FILE 872-LM2232.SLDPRPT		NEXT ASSY 872-LM0000	DWG NO 872-LM2232
			REV A 1/1