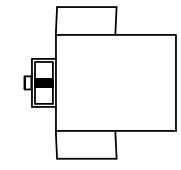
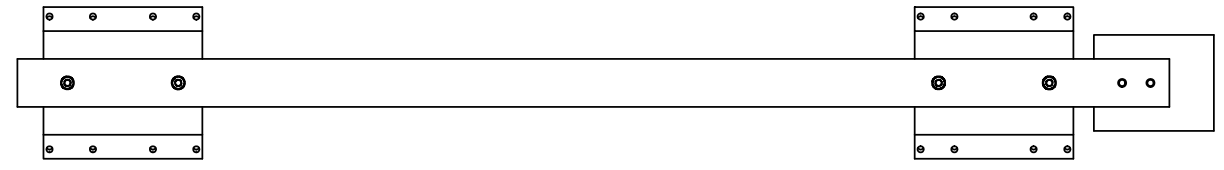
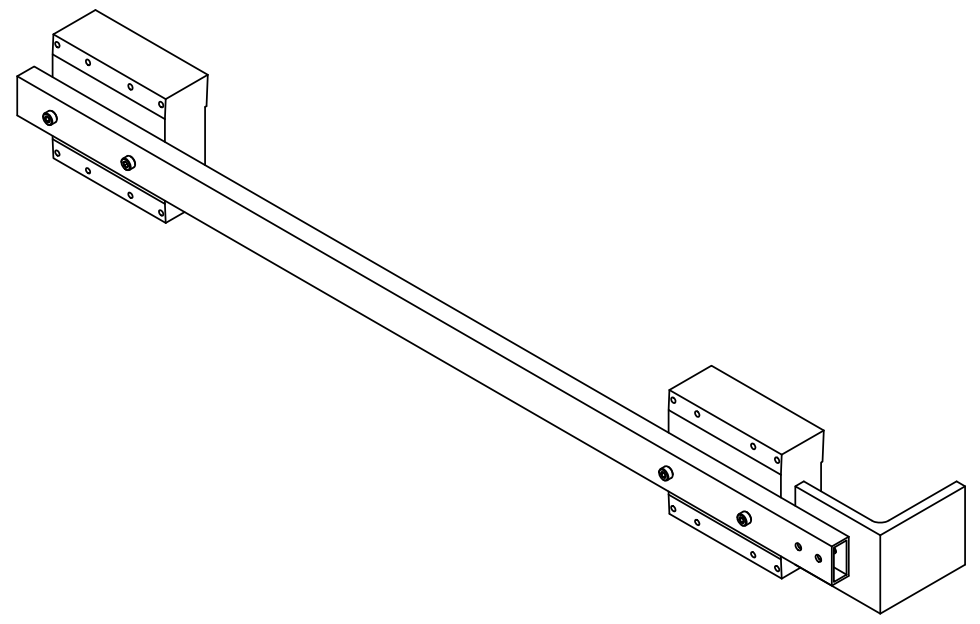


ITEM NO.	PART NUMBER	DESCRIPTION	QTY.
1	Inner drum drill template2	DRILL GUIDE 2	1
2	Inner drum drill template	Drill Guide 1	1
3	Aluminum_End	ALUMINUM ANGLE WITH REFERENCE FACE	1
4	contact bridge member	ALUMINUM BEAM	1
5	93705A827	SHCS M4X25	6

REVISIONS				
REV	DATE	DRW'N	CHCK'D	DESCRIPTION
A	13SEP16	CR	--	INITIAL RELEASE

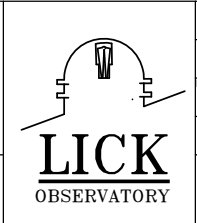


NOTES

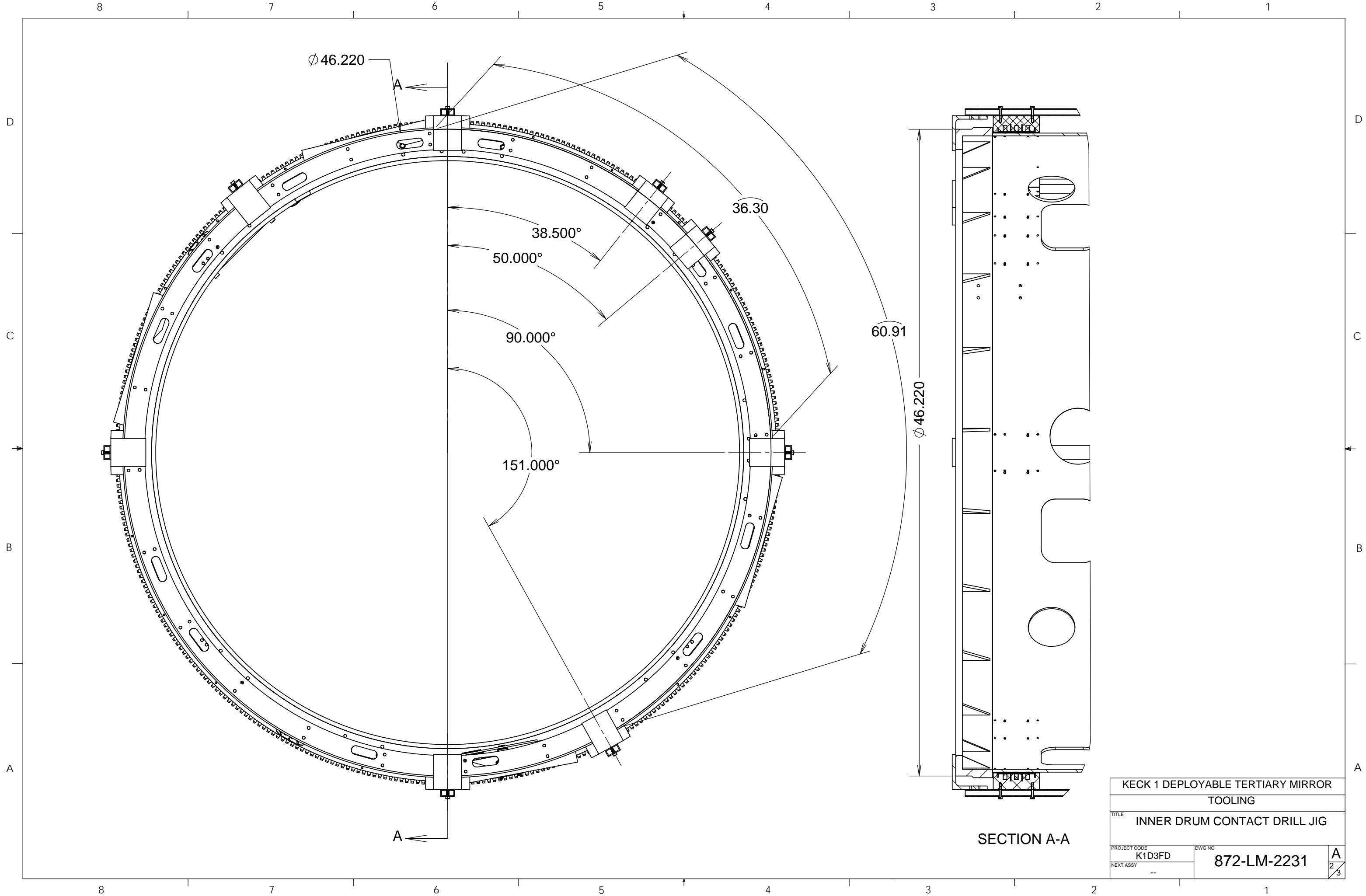
1. QUANTITY: 1

UNLESS OTHERWISE NOTED DIMENSIONS ARE IN INCHES & TOLERANCES ARE AS FOLLOWS
 X.X: ±0.1000" X.XX: ±0.0100"
 X.XXX: ±0.0050" X.XXXX: ±0.0001"
 ANGLES: ±0.5° FINISH: 125 MICRO INCHES
 BREAK ALL SHARP EDGES & CORNERS .002" MAX

MATERIAL	FINISH
PARTS LIST	NA

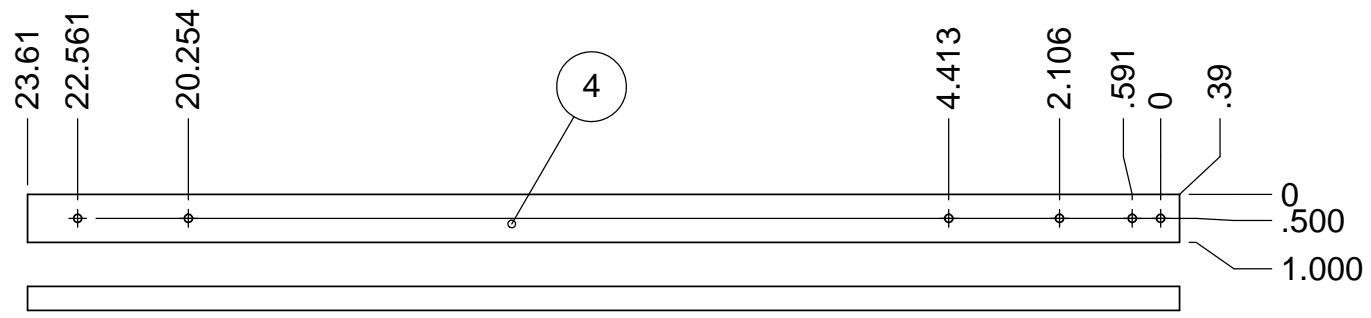
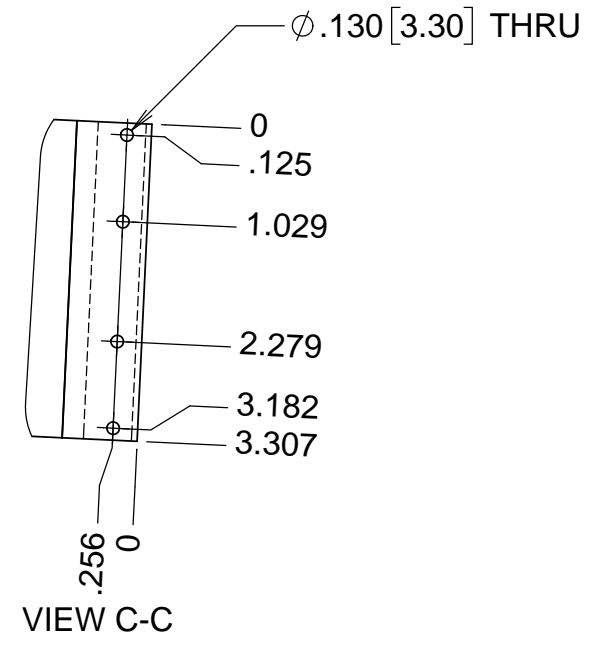
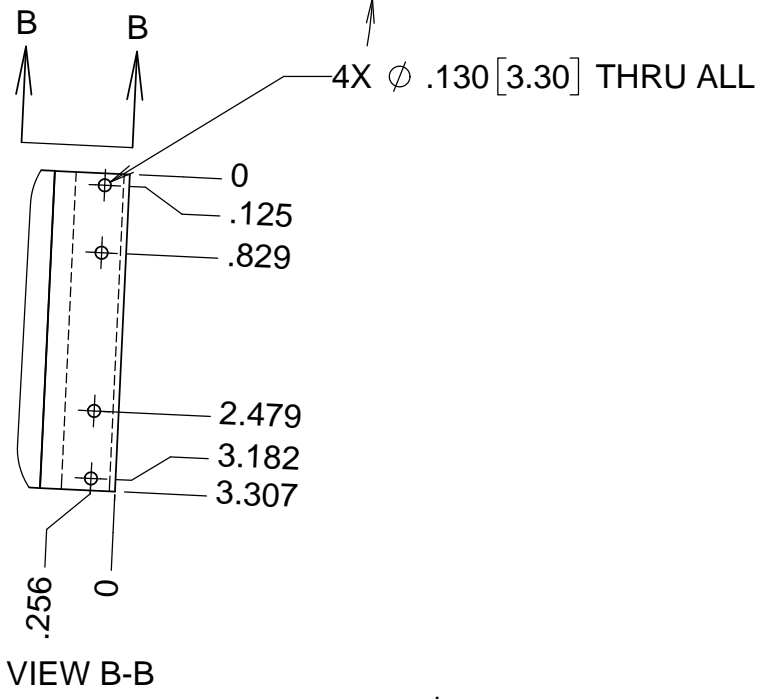
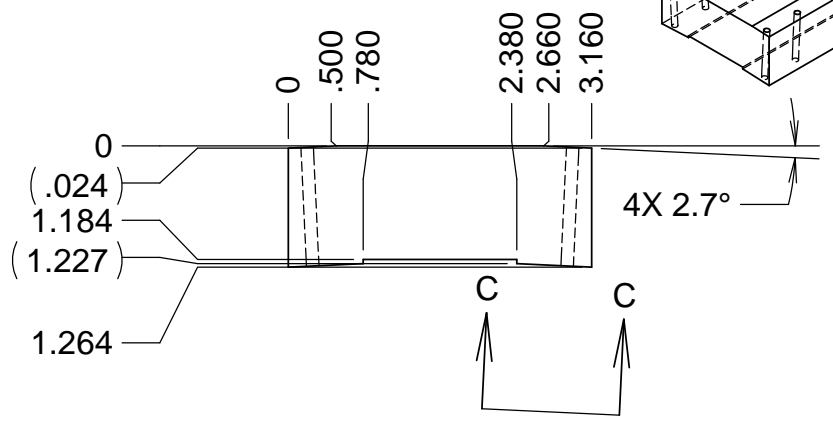
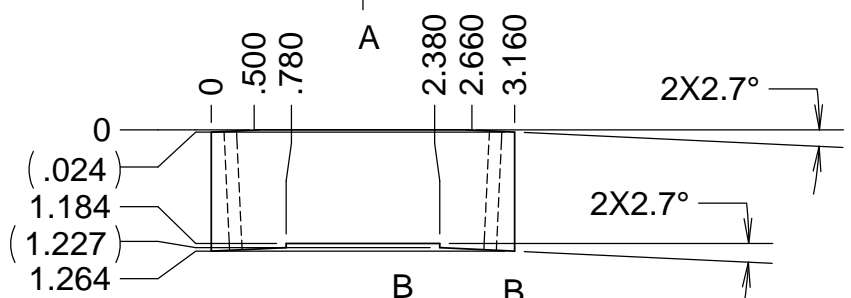
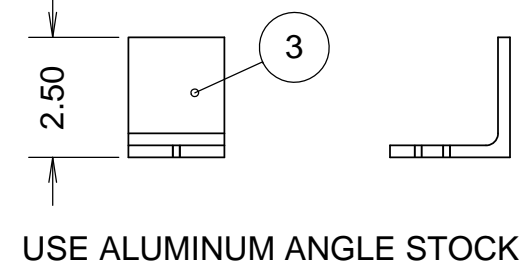
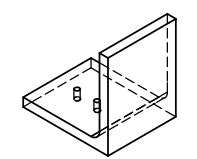
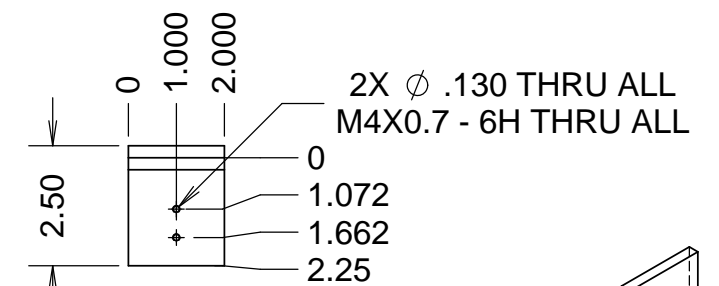
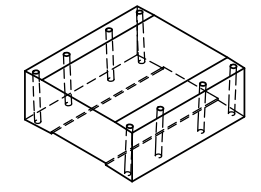
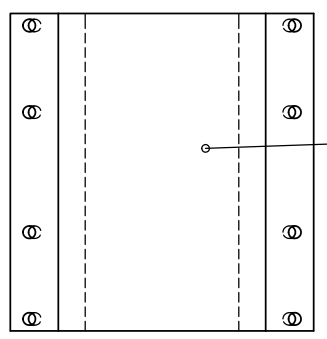
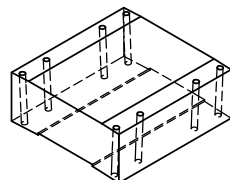
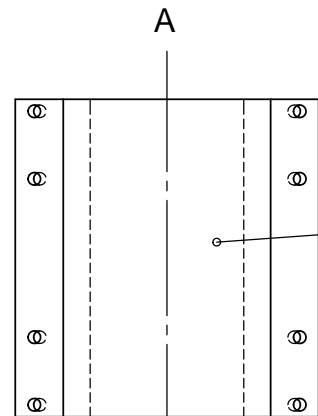


DRAWN	C.RATLIFF	--	KECK 1 DEPLOYABLE TERTIARY MIRROR
CHECKED	J WARD	--	TOOLING
DESIGNED	CR&JW	--	TITLE
ENGINEER		--	INNER DRUM CONTACT DRILL JIG
SW DOCUMENT FILE		PROJECT CODE	DWG NO
		K1D3FD	872-LM-2231
		NEXT ASSY	
		--	



KECK 1 DEPLOYABLE TERTIARY MIRROR	
TOOLING	
TITLE INNER DRUM CONTACT DRILL JIG	
PROJECT CODE K1D3FD	DWG NO 872-LM-2231
NEXT ASSY --	A 2 3

PART IS SYMMETRIC ABOUT PLANE AA



BAR OR TUBE STOCK IS OK FOR ITEM 4

KECK 1 DEPLOYABLE TERTIARY MIRROR	
TOOLING	
TITLE INNER DRUM CONTACT DRILL JIG	
PROJECT CODE K1D3FD	DWG NO 872-LM-2231
NEXT ASSY --	A 3/3