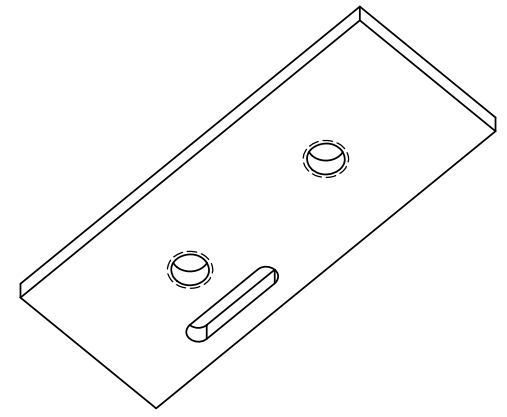
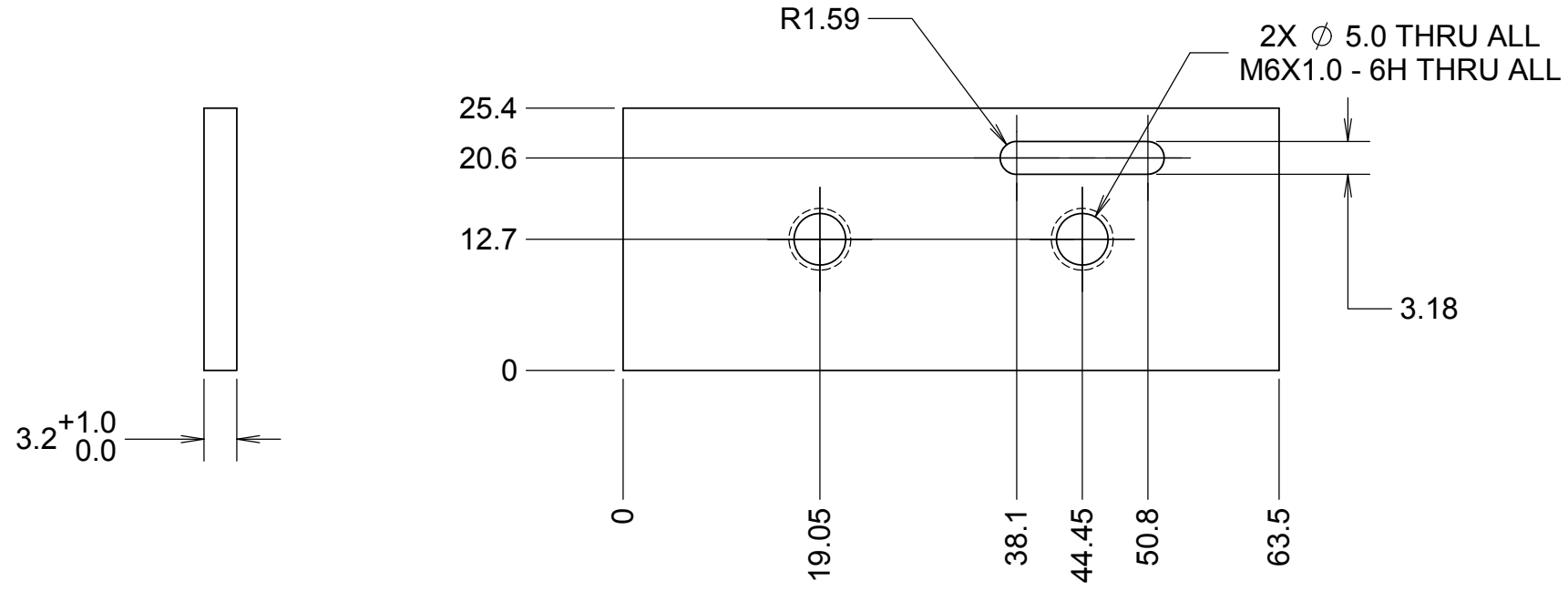
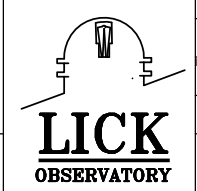


REVISIONS				
DRWN	DATE	CHK'D	REV	DESCRIPTION
CR	10OCT16		A	PRELIMINARY RELEASE
CR	JUNE7, 2017		B	NEW SLOT FOR RETAINER



NOTES:
 1. MATERIAL: 300 SERIES STAINLESS STEEL, 1/8 INCH THICK OK

UNLESS OTHERWISE NOTED DIMENSIONS ARE IN MILLIMETERS & TOLERANCES ARE AS FOLLOWS:
 X.X: ±0.10 mm X.XX: ±0.01 mm
 ANGLES: ±0.5° FINISH: 3 MICRONS (µm)
 BREAK ALL SHARP EDGES & CORNERS .25mm MAX



MATERIAL	FINISH
SEE NOTE 1	--

DRAWN	C. RATLIFF		KECK 1 DEPLOYABLE TERTIARY MIRROR	
CHECKED	J. WARD		NA	
DESIGNED	JW&CR	10/7/16	TITLE	
ENGINEER	C. RATLIFF	10/10/16	OUTER DRUM NUT PLATE	
SW DOCUMENT FILE	872-LM2227.SLDPRT	QUANTITY	PROJECT CODE	DWG NO
		4	K1D3FD	872-LM2227
			NEXT ASSY	872-LM2224 AND 2228
			REV	B
				1