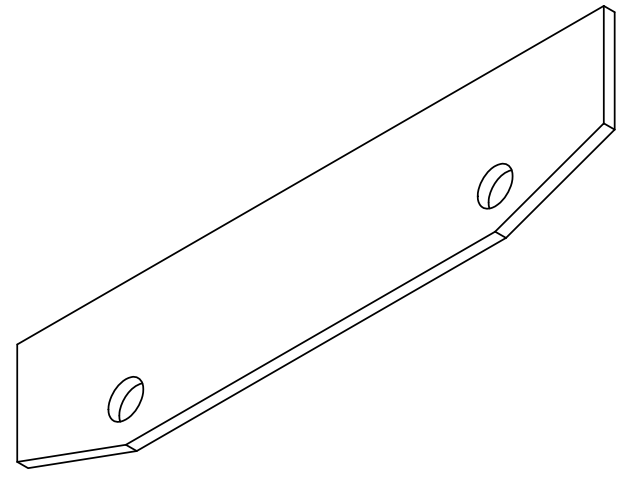
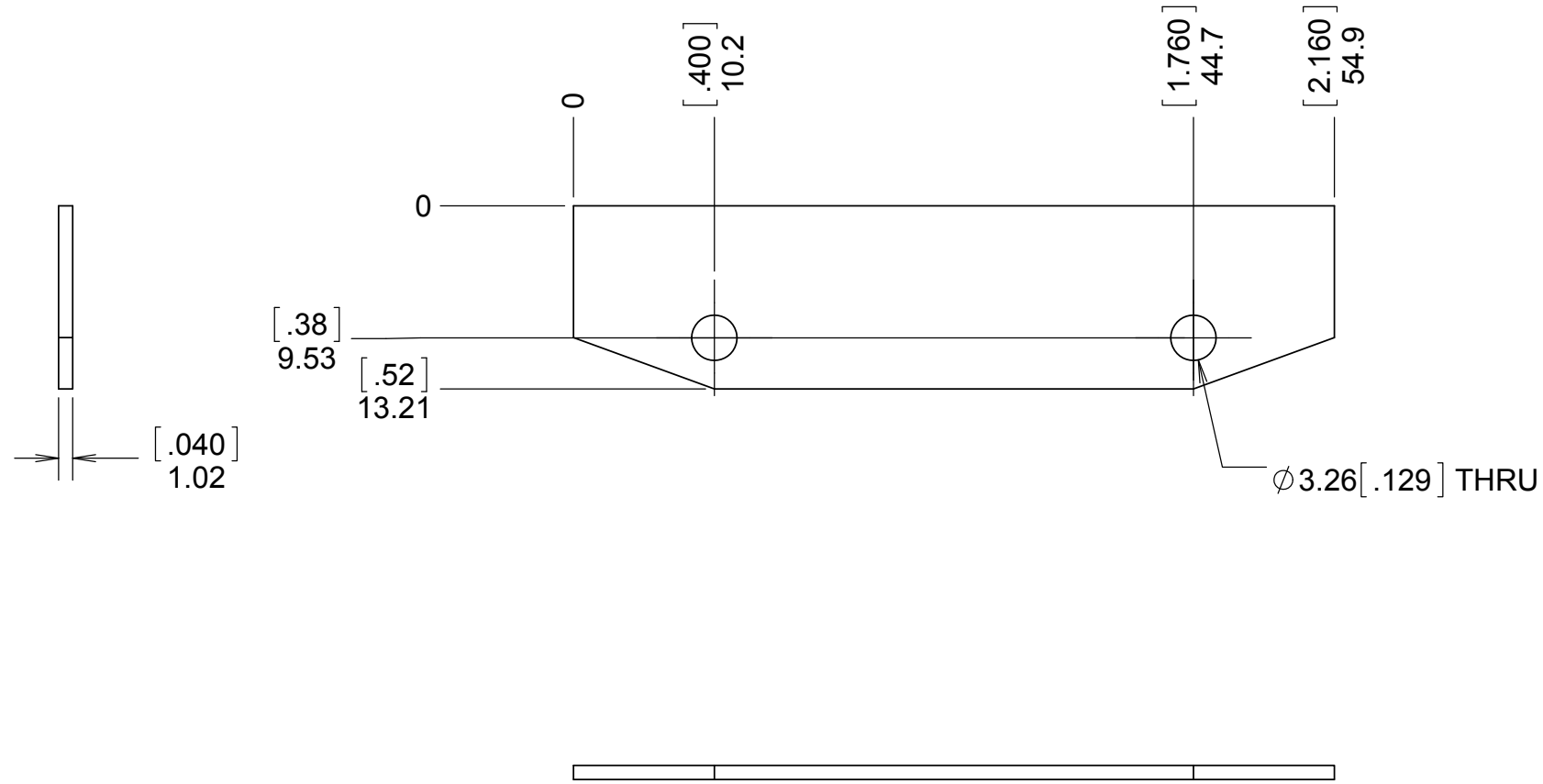


REVISIONS				
DRWN	DATE	CHK'D	REV	DESCRIPTION
CR	4OCT16		A	PRELIMINARY RELEASE



NOTES:
1. MATERIAL: MYLAR SHIM STOCK

UNLESS OTHERWISE NOTED DIMENSIONS ARE IN MILLIMETERS & TOLERANCES ARE AS FOLLOWS: X.X: ±0.10 mm X.XX: ±0.01 mm ANGLES: ±0.5° FINISH: 3 MICRONS (µm) BREAK ALL SHARP EDGES & CORNERS .25mm MAX			DRAWN C. RATLIFF		KECK 1 DEPLOYABLE TERTIARY MIRROR
			CHECKED J. WARD		ROTARY SUPPORT STRUCTURE
			DESIGNED J. WARD	10/4/16	TITLE MYLAR INSULATOR
			ENGINEER C. RATLIFF	10/4/16	
MATERIAL SEE NOTE 1	FINISH SEE NOTE 2		SW DOCUMENT FILE 872-LM2221.SLDPRT	QUANTITY TBD	PROJECT CODE K1D3FD NEXT ASSY KDM2218
				DWG NO 872-LM2221	REV A 1/1