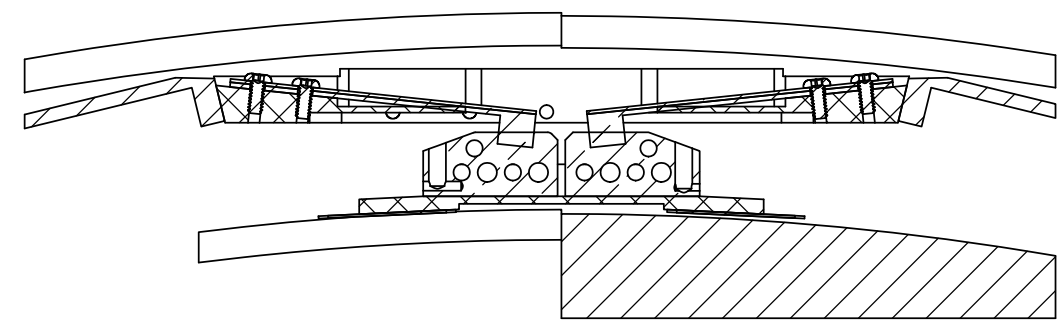
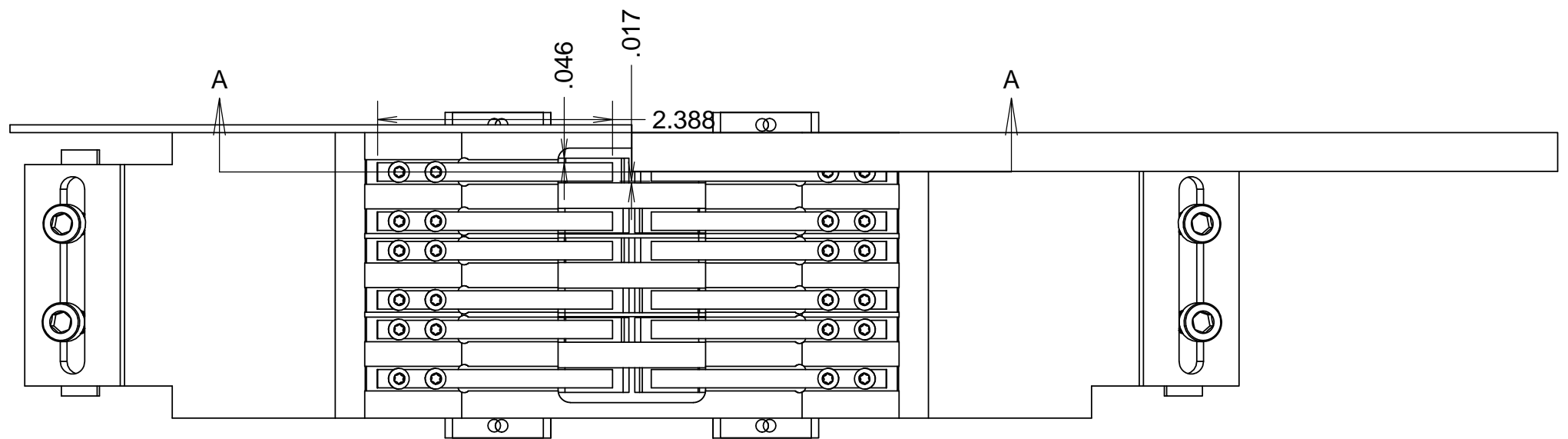
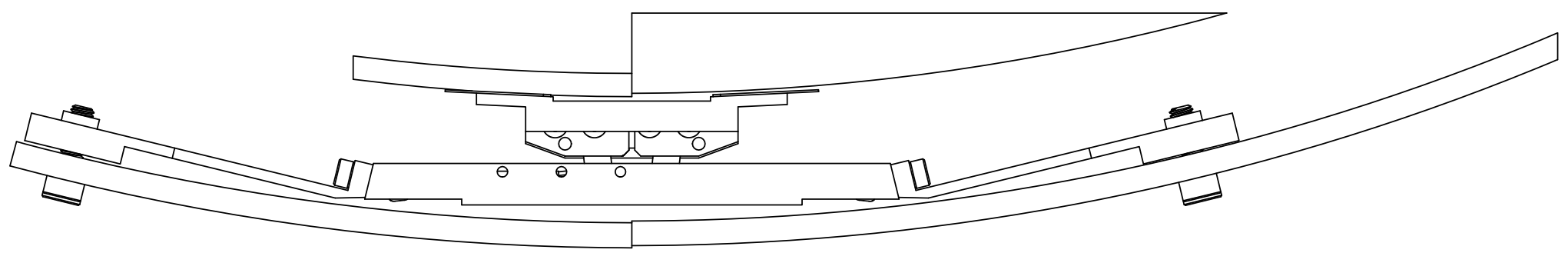


REVISIONS				
REV	DATE	DRW'N	CHCK'D	DESCRIPTION
A	13SEP16	CR	--	INITIAL RELEASE



SECTION A-A

NOTES

1. FINAL DESIGN BRUSH CONTACT TEST BED, WILL DO AUTOMATED MEASUREMENTS OF RESISTANCE
2. USE 6-32 SCREWS TO SCURE PLASTIC BRUSH MOUNT PART TO ALUMINUM -DUE TO TAPPED HOLE LOCATION IN BRUSH MOUNT, ALSO ALLOWS SOME POSITIONING CAPABILITY

UNLESS OTHERWISE NOTED DIMENSIONS ARE IN INCHES & TOLERANCES ARE AS FOLLOWS

X.X: ±0.1000" X.XX: ±0.0100"
 X.XXX: ±0.0050" X.XXXX: ±0.0001"
 ANGLES: ±0.5° FINISH: 125 MICRO INCHES
 BREAK ALL SHARP EDGES
 & CORNERS .002" MAX

MATERIAL	FINISH
PARTS LIST	NA



DRAWN	C.RATLIFF	--	KECK 1 DEPLOYABLE TERTIARY MIRROR
CHECKED	J WARD	--	MISC
DESIGNED	CR&JW	--	TITLE
ENGINEER		--	LOW VOLTAGE BRUSH ASSEMBLY
SW DOCUMENT FILE		PROJECT CODE	DWG NO
		K1D3FD	872-LM-2217
		NEXT ASSY	
		--	