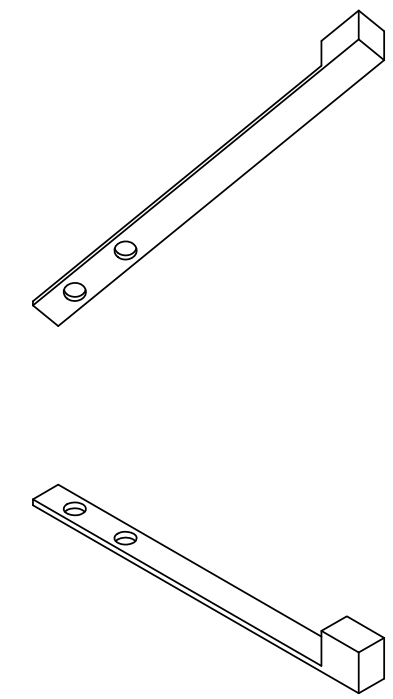
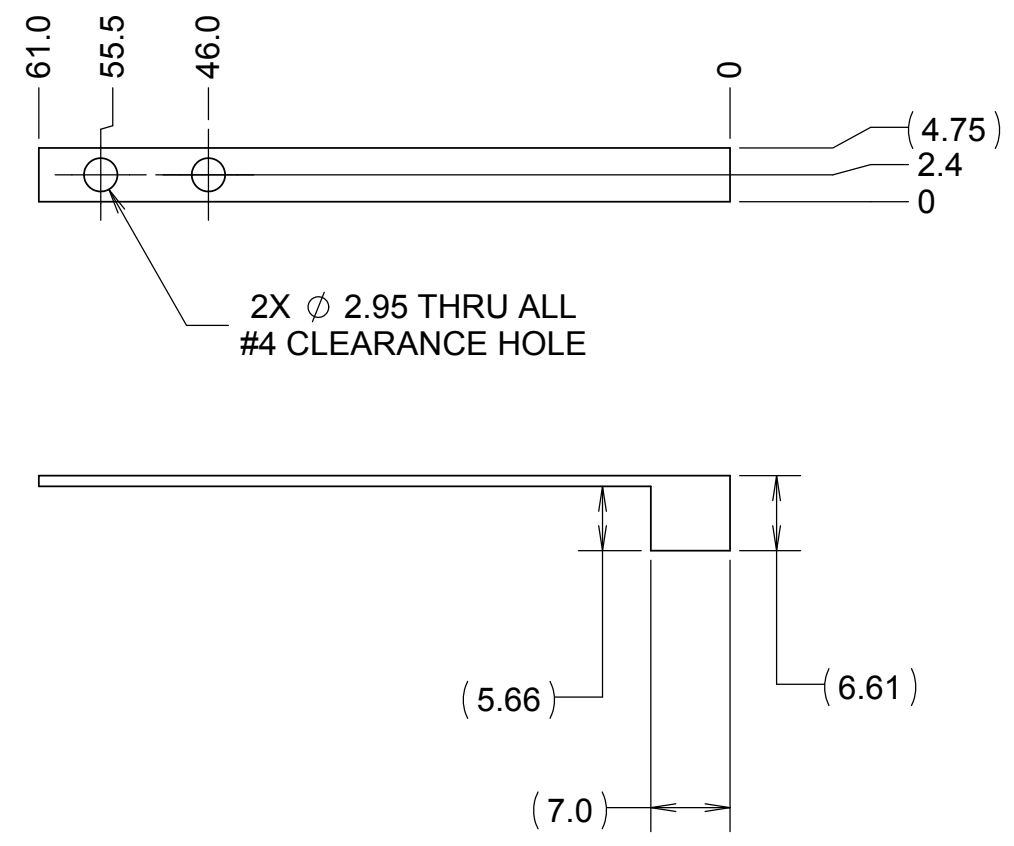


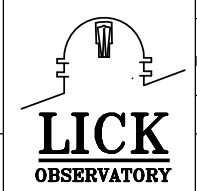
REVISIONS				
DRWN	DATE	CHK'D	REV	DESCRIPTION
CR	7SEP16		A	PRELIMINARY RELEASE
CR	16 SEP16		B	MOVED HOLES



NOTES:
 1. MATERIAL: NA
 2. THIS DRAWING ONLY SHOWS MODIFICATIONS TO MAKE TO PARTS PROVIDED BY CONTACT TECHNOLOGIES

UNLESS OTHERWISE NOTED DIMENSIONS ARE IN MILLIMETERS & TOLERANCES ARE AS FOLLOWS:
 X.X: ± 0.10 mm X.XX: ± 0.01 mm
 ANGLES: $\pm 0.5^\circ$ FINISH: 3 MICRONS (μm)
 BREAK ALL SHARP EDGES & CORNERS .25mm MAX

MATERIAL	FINISH
SEE NOTE 1	--



DRAWN C. RATLIFF		KECK 1 DEPLOYABLE TERTIARY MIRROR	
CHECKED J. WARD		ROTARY SUPPORT STRUCTURE	
DESIGNED JW&CR	9/7/16	TITLE LEAF SPRING BRUSH CONTACT	
ENGINEER C. RATLIFF	9/7/16	QUANTITY 28	PROJECT CODE K1D3FD
SW DOCUMENT FILE 872-LM2215.SLDPRT		NEXT ASSY KDM3000	DWG NO 872-LM2215
			REV B