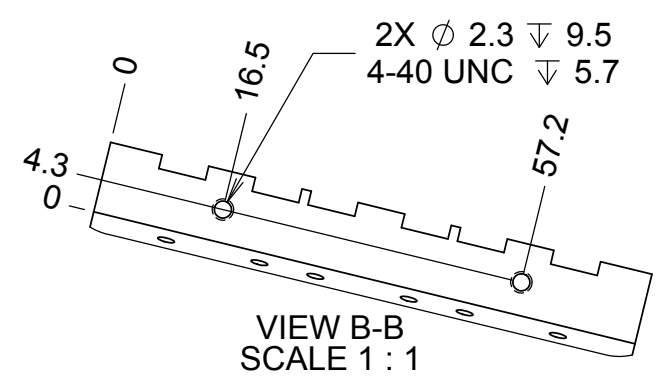
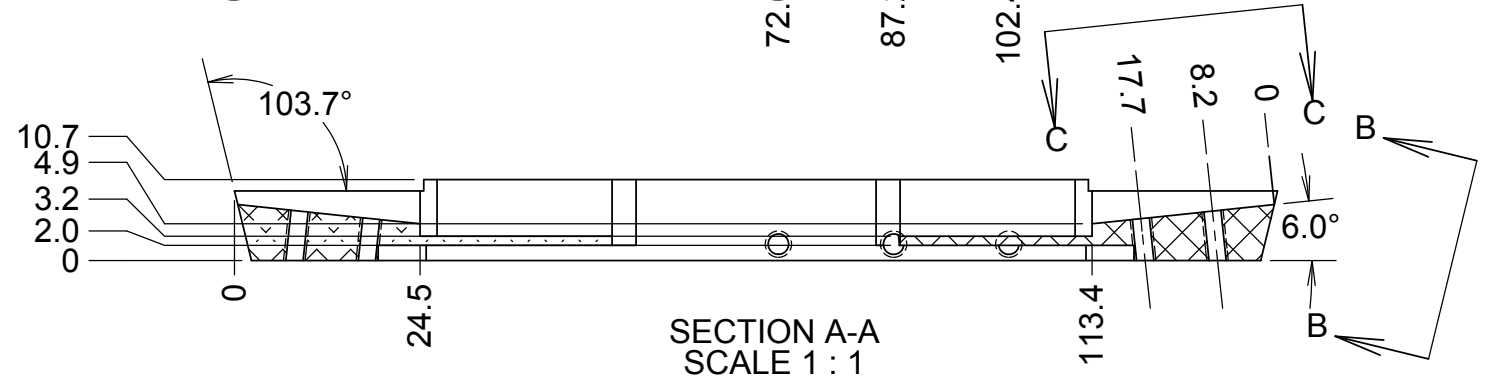
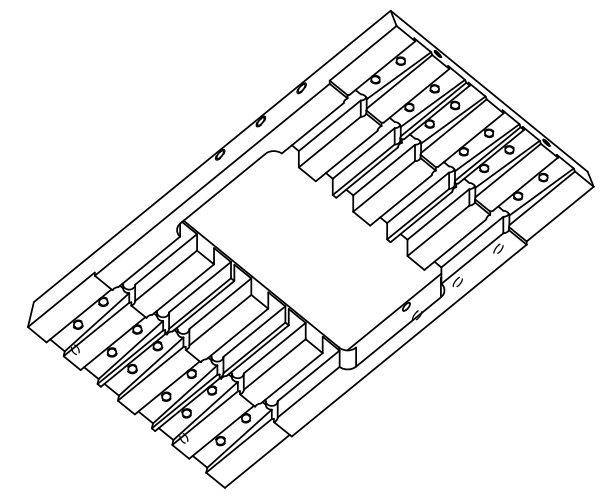
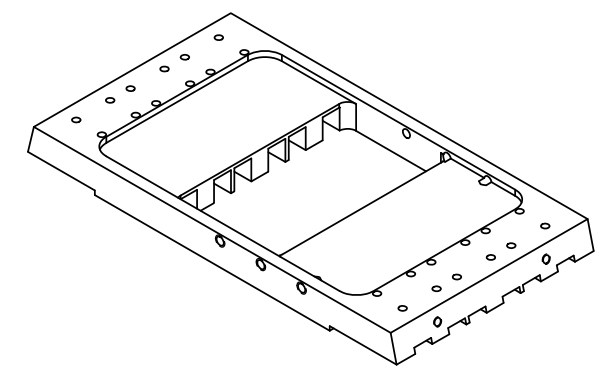
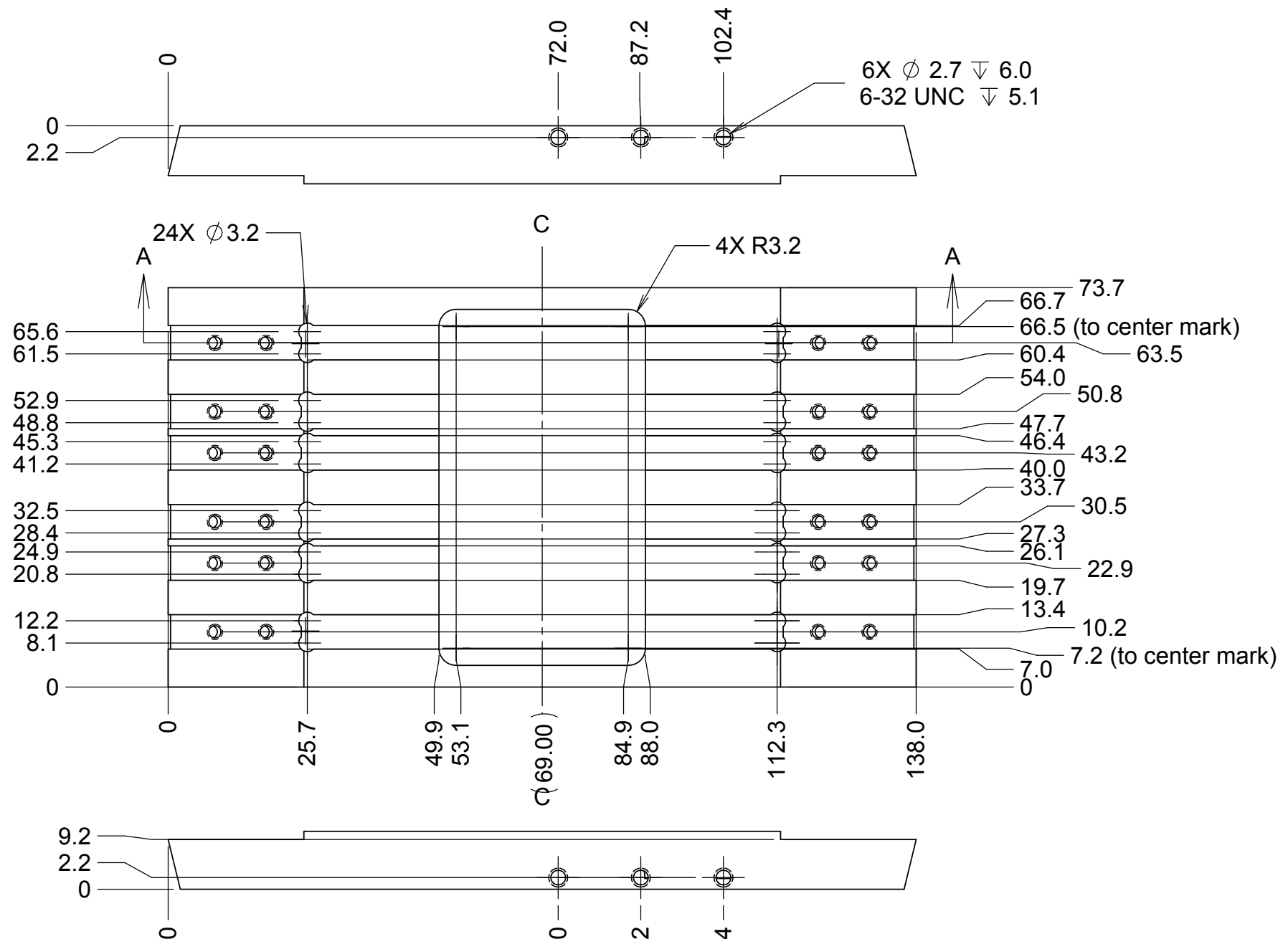


REVISIONS				
DRWN	DATE	CHK'D	REV	DESCRIPTION
CR	7SEP16		A	PRELIMINARY RELEASE



- NOTES:
- MATERIAL: DELRIN OR ABS FOR PRELIMINARY TESTING
 - PART SYMMETRIC ABOUT PLANE CC, EXCEPT 6-32 HOLES

UNLESS OTHERWISE NOTED DIMENSIONS ARE IN MILLIMETERS & TOLERANCES ARE AS FOLLOWS: X.X: ±0.10 mm X.XX: ±0.01 mm ANGLES: ±0.5° FINISH: 3 MICRONS (µm) BREAK ALL SHARP EDGES & CORNERS .25mm MAX			DRAWN C. RATLIFF	KECK 1 DEPLOYABLE TERTIARY MIRROR	
MATERIAL: SEE NOTE 1 FINISH: --			CHECKED J. WARD	ROTARY SUPPORT STRUCTURE	
			DESIGNED JW&CR	9/7/16	TITLE OUTER DRUM DELRIN BRUSH MOUNT LV
			ENGINEER C. RATLIFF	9/7/16	PROJECT CODE K1D3FD
			SW DOCUMENT FILE 872-LM2214.SLDPRP	QUANTITY 2	DWG NO 872-LM2214
				NEXT ASSY KDM3000	REV A 1/2

8 7 6 5 4 3 2 1

D

D

C

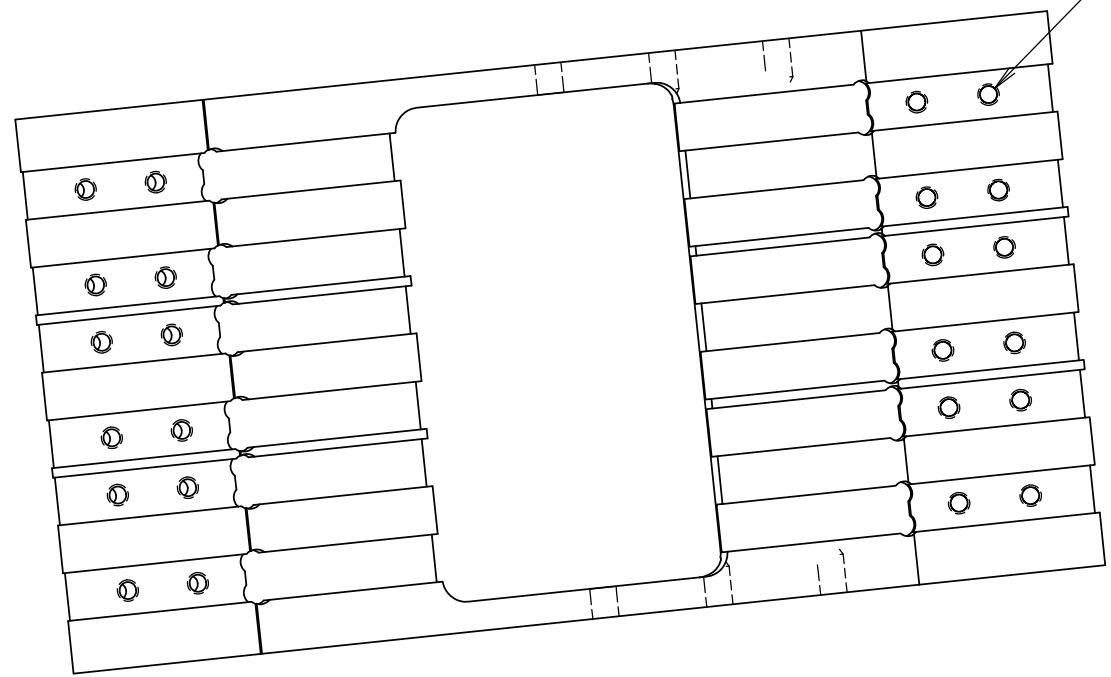
C

B

B

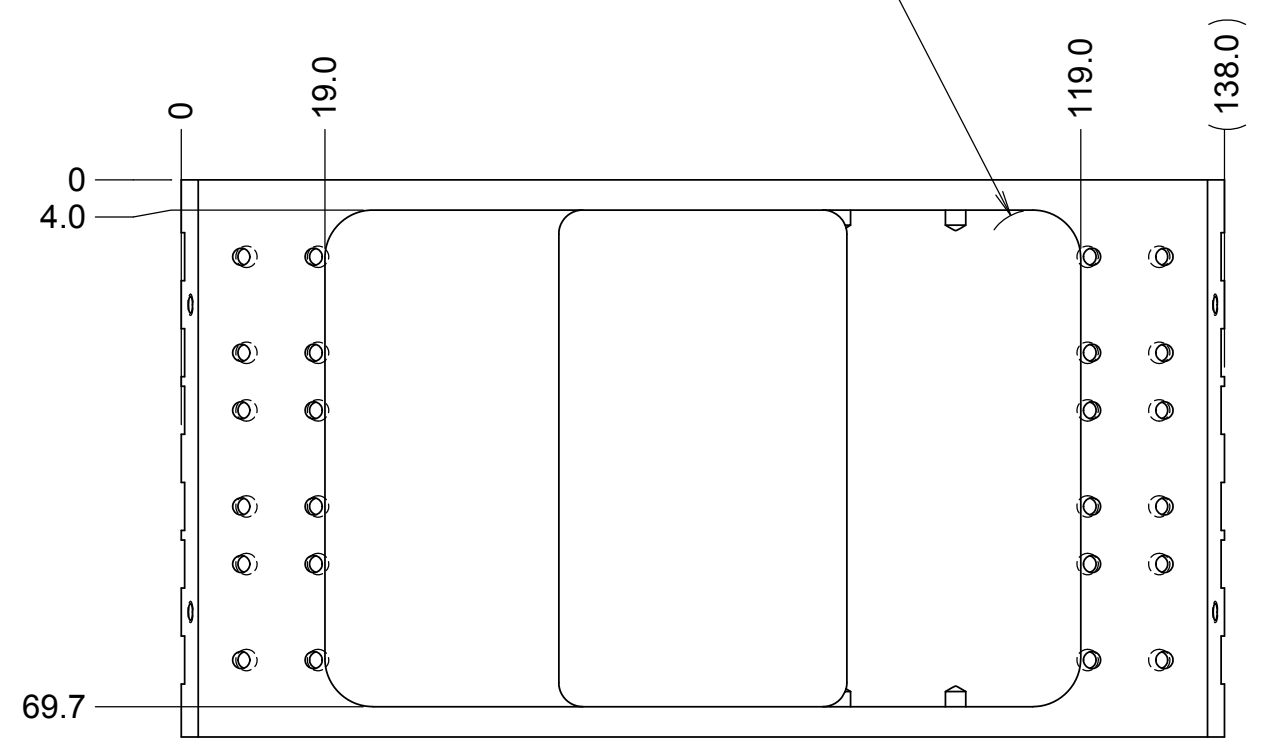
A

A



24X ϕ 2.3 THRU ALL
4-40 UNC THRU ALL

4x R6.4



VIEW C-C
SCALE 1 : 1

KECK 1 DEPLOYABLE TERTIARY MIRROR	
ROTARY SUPPORT STRUCTURE	
TITLE OUTER DRUM DELRIN BRUSH MOUNT LV	
PROJECT CODE K1D3FD	DWG NO 872-LM2214
NEXT ASSY KDM3000	A 2/2

8 7 6 5 4 3 2 1