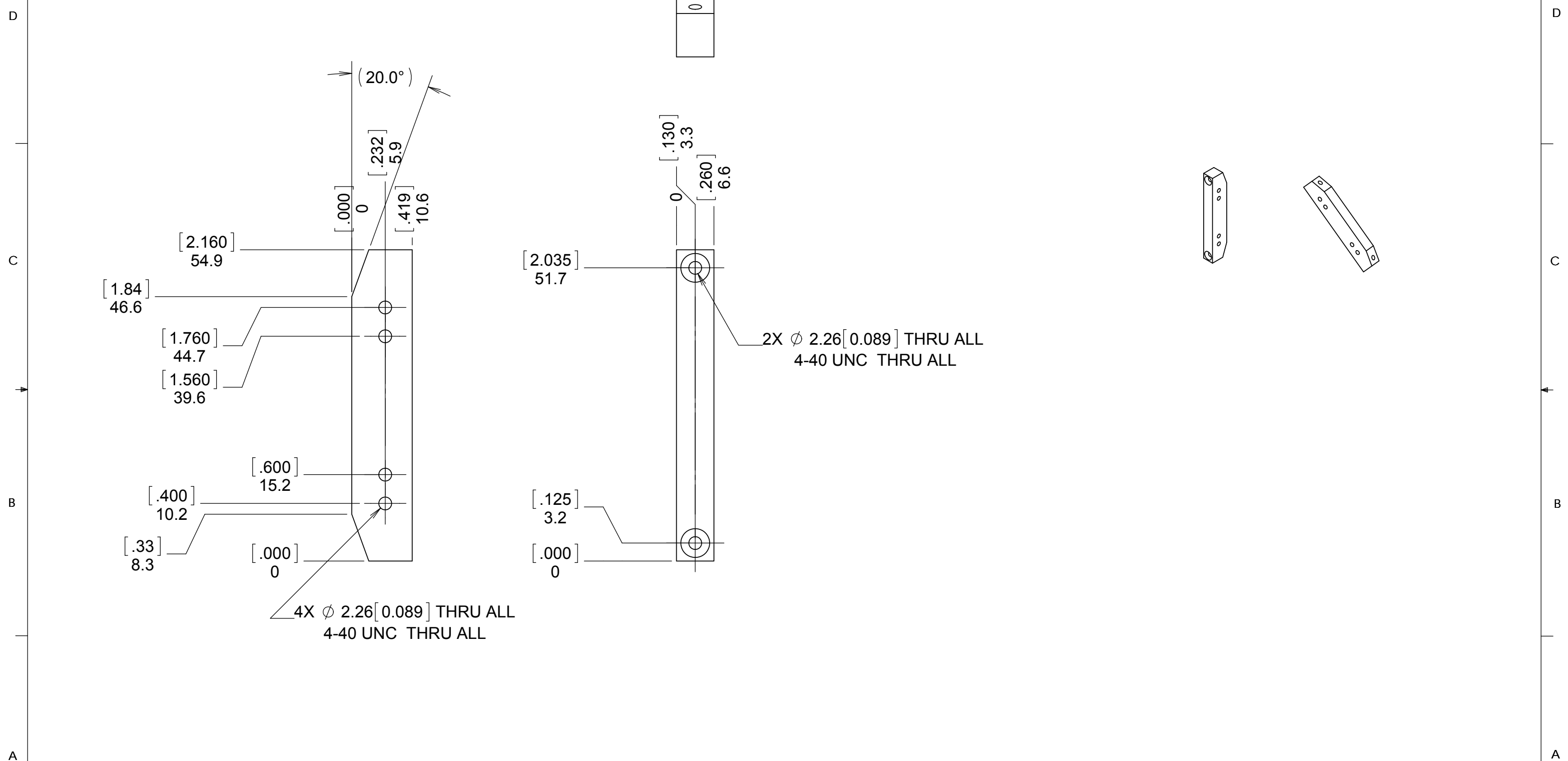


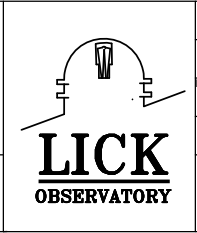
REVISIONS				
DRWN	DATE	CHK'D	REV	DESCRIPTION
CR	7SEP16		A	PRELIMINARY RELEASE



NOTES:
1. MATERIAL: DELRIN

UNLESS OTHERWISE NOTED DIMENSIONS ARE IN MILLIMETERS & TOLERANCES ARE AS FOLLOWS:
 X.X: ±0.10 mm X.XX: ±0.01 mm
 ANGLES: ±0.5° FINISH: 3 MICRONS (µm)
 BREAK ALL SHARP EDGES & CORNERS .25mm MAX

MATERIAL	FINISH
SEE NOTE 1	--



DRAWN C. RATLIFF		KECK 1 DEPLOYABLE TERTIARY MIRROR	
CHECKED J. WARD		ROTARY SUPPORT STRUCTURE	
DESIGNED JW&CR	9/7/16	TITLE INNER DRUM HIGH VOLTAGE SEPARATORS	
ENGINEER C. RATLIFF	9/7/16	QUANTITY 8	PROJECT CODE K1D3FD
SW DOCUMENT FILE 872-LM2213.SLDPRT		NEXT ASSY KDM2000	DWG NO 872-LM2213
			REV A