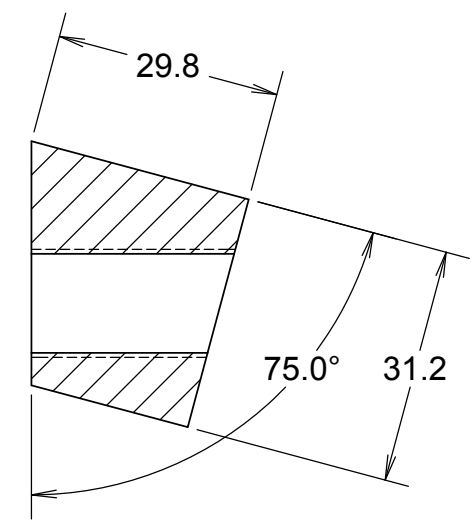
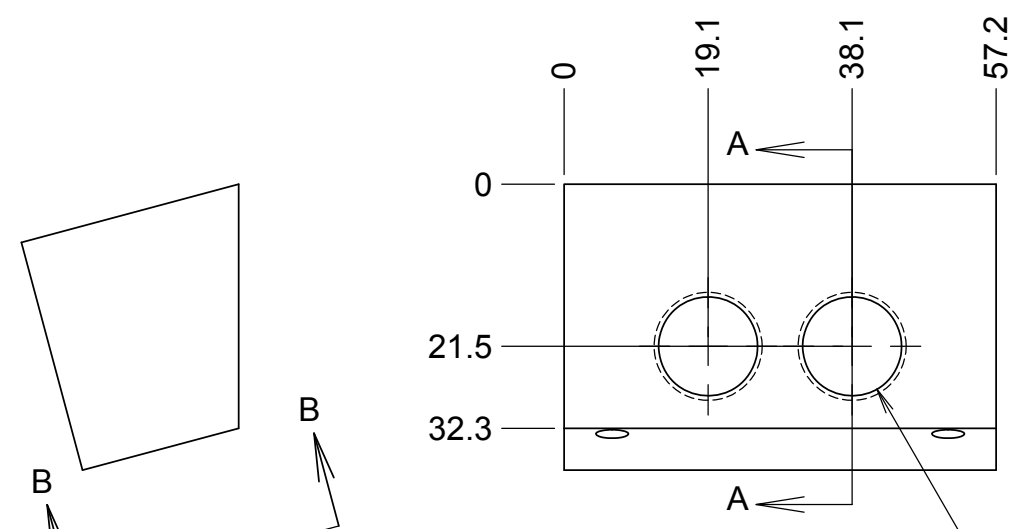
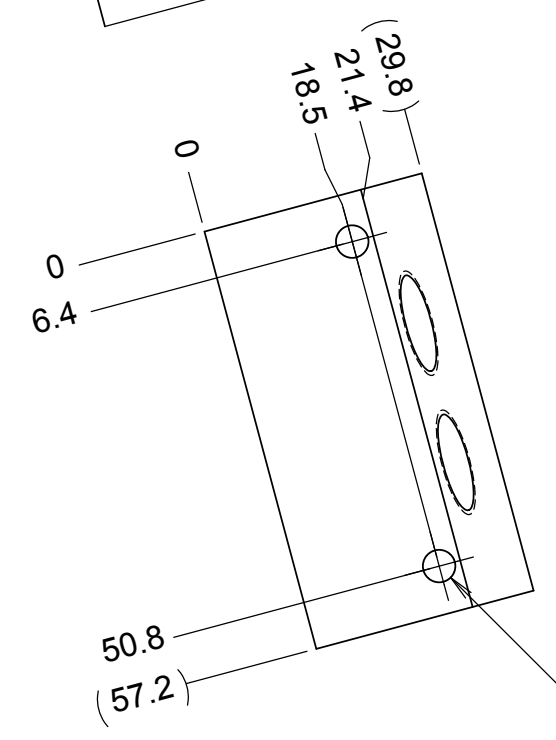


REVISIONS				
DRWN	DATE	CHK'D	REV	DESCRIPTION
CR	24MAY16		A	PRELIMINARY RELEASE

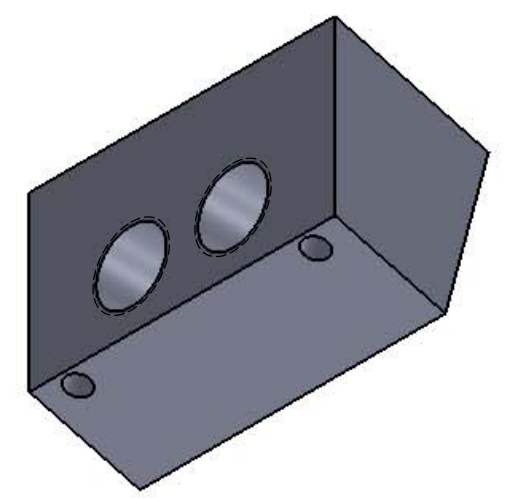
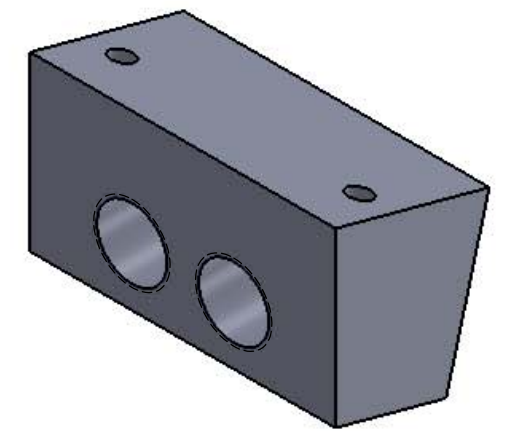


2X ϕ 13.1 THRU ALL
9/16-18 UNF - 1B THRU ALL



VIEW B-B
SCALE 1 : 1

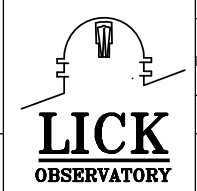
2X ϕ 4.3 THRU ALL



NOTES:
1. MATERIAL: 300 SERIES STAINLESS STEEL

UNLESS OTHERWISE NOTED DIMENSIONS ARE IN MILLIMETERS & TOLERANCES ARE AS FOLLOWS:
 X.X: ± 0.10 mm X.XX: ± 0.01 mm
 ANGLES: $\pm 0.5^\circ$ FINISH: 3 MICRONS (μ m)
 BREAK ALL SHARP EDGES & CORNERS .25mm MAX

MATERIAL	FINISH
SEE NOTE 1	--



DRAWN C. RATLIFF		KECK 1 DEPLOYABLE TERTIARY MIRROR	
CHECKED J. WARD		ROTARY SUPPORT STRUCTURE	
DESIGNED C. RATLIFF	5/24/16	TITLE BIPOD LVDT MOUNT	
ENGINEER C. RATLIFF	5/24/16	QUANTITY 2	REV A
MATERIAL SW DOCUMENT FILE 872-LM2209.SLDPRT		PROJECT CODE K1D3FD NEXT ASSY KDM2000	DWG NO 872-LM2209