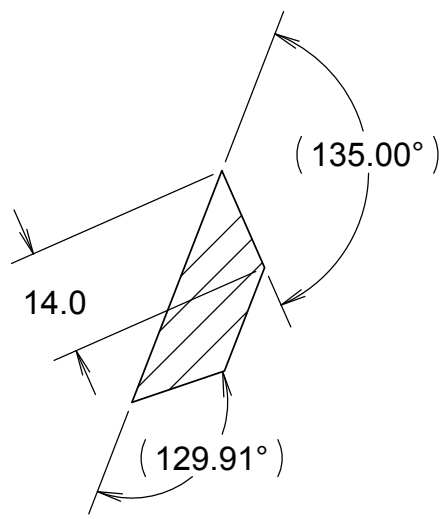
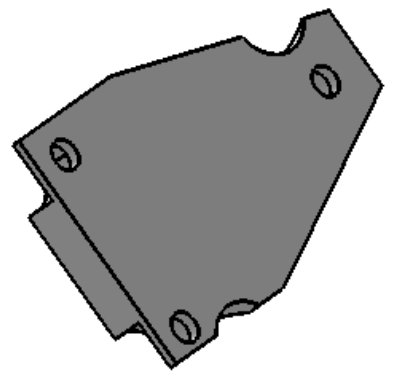
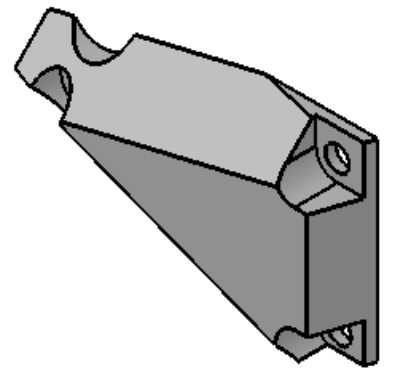
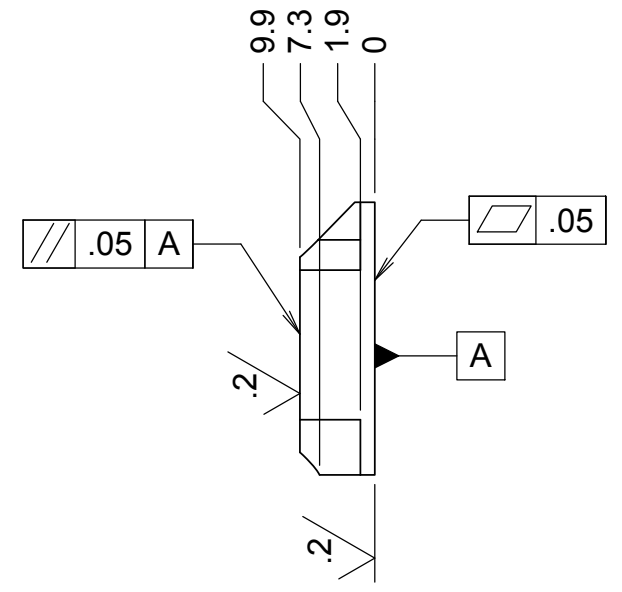
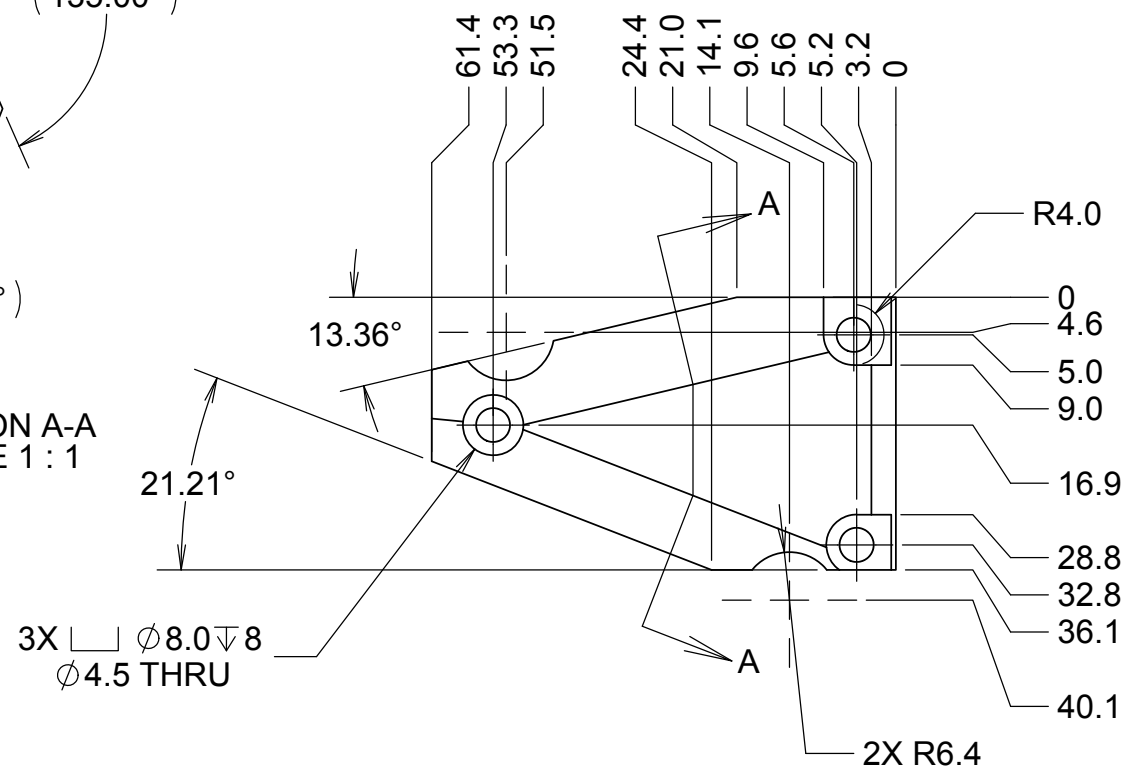


| REVISIONS |         |       |     |                     |
|-----------|---------|-------|-----|---------------------|
| DRWN      | DATE    | CHK'D | REV | DESCRIPTION         |
| CR        | 20MAY16 |       | A   | PRELIMINARY RELEASE |

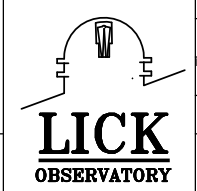


SECTION A-A  
SCALE 1:1



NOTES:  
1. MATERIAL: 440C SERIES STAINLESS STEEL HRC 59 MIN

UNLESS OTHERWISE NOTED DIMENSIONS ARE IN MILLIMETERS & TOLERANCES ARE AS FOLLOWS:  
X.X: ±0.10 mm X.XX: ±0.01 mm  
ANGLES: ±0.5° FINISH: 3 MICRONS (µm)  
BREAK ALL SHARP EDGES & CORNERS .25mm MAX



DRAWN  
**C. RATLIFF**  
CHECKED  
**J. WARD**  
DESIGNED  
**C. RATLIFF** 5/20/16  
ENGINEER  
**C. RATLIFF** 5/20/16  
SW DOCUMENT FILE  
872-LM2207.SLDPRT

KECK 1 DEPLOYABLE TERTIARY MIRROR  
ROTARY SUPPORT STRUCTURE  
TITLE  
SWING-ARM HINGE, MIRROR V BLOCK  
QUANTITY  
2  
PROJECT CODE  
K1D3FD  
DWG NO  
872-LM2207  
REV  
A  
1

MATERIAL  
SEE NOTE 1  
FINISH  
--