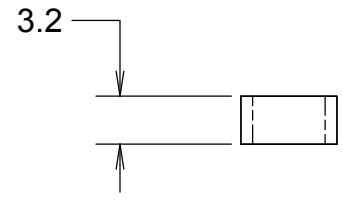
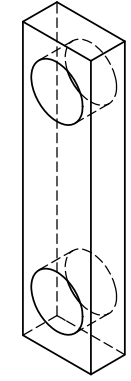
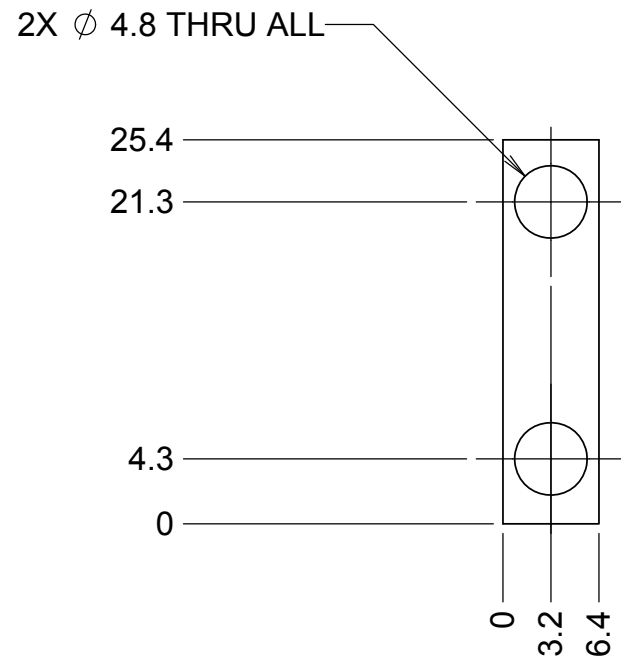


REVISIONS				
DRWN	DATE	CHK'D	REV	DESCRIPTION
CR	24MAY17		A	PRELIMINARY RELEASE



NOTES
 1. FREE MACHIINING ALUMINUM, BRASS OR STEEL

UNLESS OTHERWISE NOTED DIMENSIONS ARE IN MILLIMETERS & TOLERANCES ARE AS FOLLOWS: X.X: ±0.10 mm X.XX: ±0.01 mm ANGLES: ±0.5° FINISH: 3 MICRONS (µm) BREAK ALL SHARP EDGES & CORNERS .25mm MAX			DRAWN C. RATLIFF	KECK 1 DEPLOYABLE TERTIARY MIRROR INNER DRUM	
MATERIAL SEE NOTE 1			CHECKED J. WARD	TITLE COMPRESSED AIR RECEIVER SPACER	
FINISH --		DESIGNED C. RATLIFF	5/24/17	PROJECT CODE K1D3DD	
		ENGINEER C. RATLIFF	5/24/17	DWG NO 872-LM2103	REV A
		SW DOCUMENT FILE 872-LM2103	QUANTITY 6	NEXT ASSY KDM2100	1