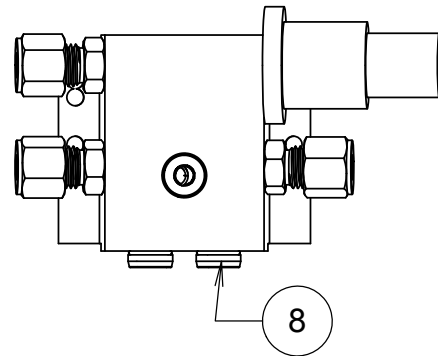
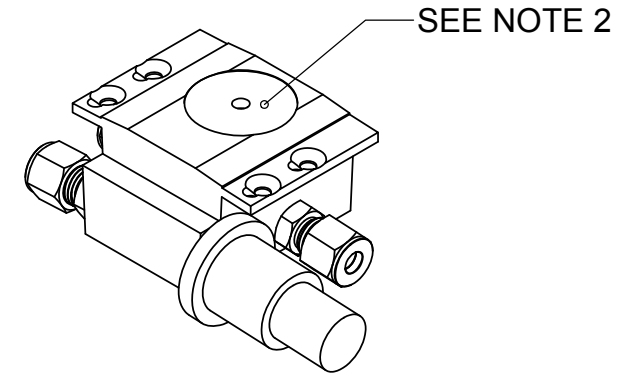
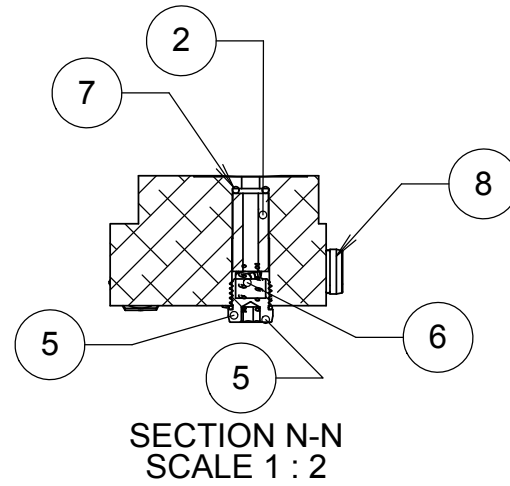
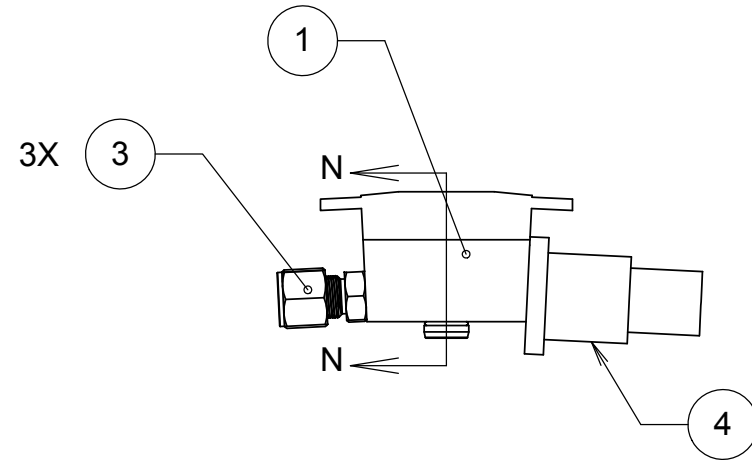



REVISIONS				
REV	DATE	DRWN	CHKD	DESCRIPTION
A	4AUG15	CR		INITIAL RELEASE
B	22OCT18	CR		FIXED DOCUMENTATION



NOTES

- 1 ASSEMBLE SO SPRING, ITEM 8, APPLIED FORCE TO ITEM 2 WHICH COMPRESSES O-RING, ITEM 9
- 2. AVOID SCRATCHING THIS FACE AND KEEP CLEAN

ITEM NO.	PartNo	Description	QTY.
1	872-LM2101	COMPRESSED AIR RECEIVER	1
2	MC 8567T32	CHECK VALVE	1
3	MC 5929K14	ADAPTOR 1/4IN TUBE TO 1/8INCH NPT	3
4	HONEYWELL MLH100PGL06A	PRESSURE TRANSDUCER	1
5	872-LM2104	MODIFIED PLUG	1
6	MC 9657K272	STEEL SPRING	1
7	MC 9464K150	O-RING, VITON, 0.25X070	1
8	MC 4835K430	O-RING PLUG	2

UNLESS OTHERWISE NOTED DIMENSIONS ARE IN MILLIMETERS & TOLERANCES ARE AS FOLLOWS: X.X: ±0.10 mm X.XX: ±0.01 mm ANGLES: ±0.5° FINISH: 3 MICRONS (µm) BREAK ALL SHARP EDGES & CORNERS .25mm MAX			DRAWN: RATLIFF CHECKED: DESIGNED: ENGINEER:	8/12/15 AUG2015	KECK 1 DEPLOYABLE TERTIARY MIRROR INNER DRUM ASSEMBLY TITLE: COMPRESSED AIR RECEIVER/MANIFOLD	PROJECT CODE: TBD DWG NO: 872-LM2100	QUANTITY: --- SW DOCUMENT FILE: 872-LM2100 COMPRESSED AIR RECEIVER.sldasm	NEXT ASSY: ---	REV: A 1 / 1
MATERIAL: --	FINISH: --		PROJECT CODE: TBD DWG NO: 872-LM2100	QUANTITY: --- SW DOCUMENT FILE: 872-LM2100 COMPRESSED AIR RECEIVER.sldasm	NEXT ASSY: ---	REV: A 1 / 1			