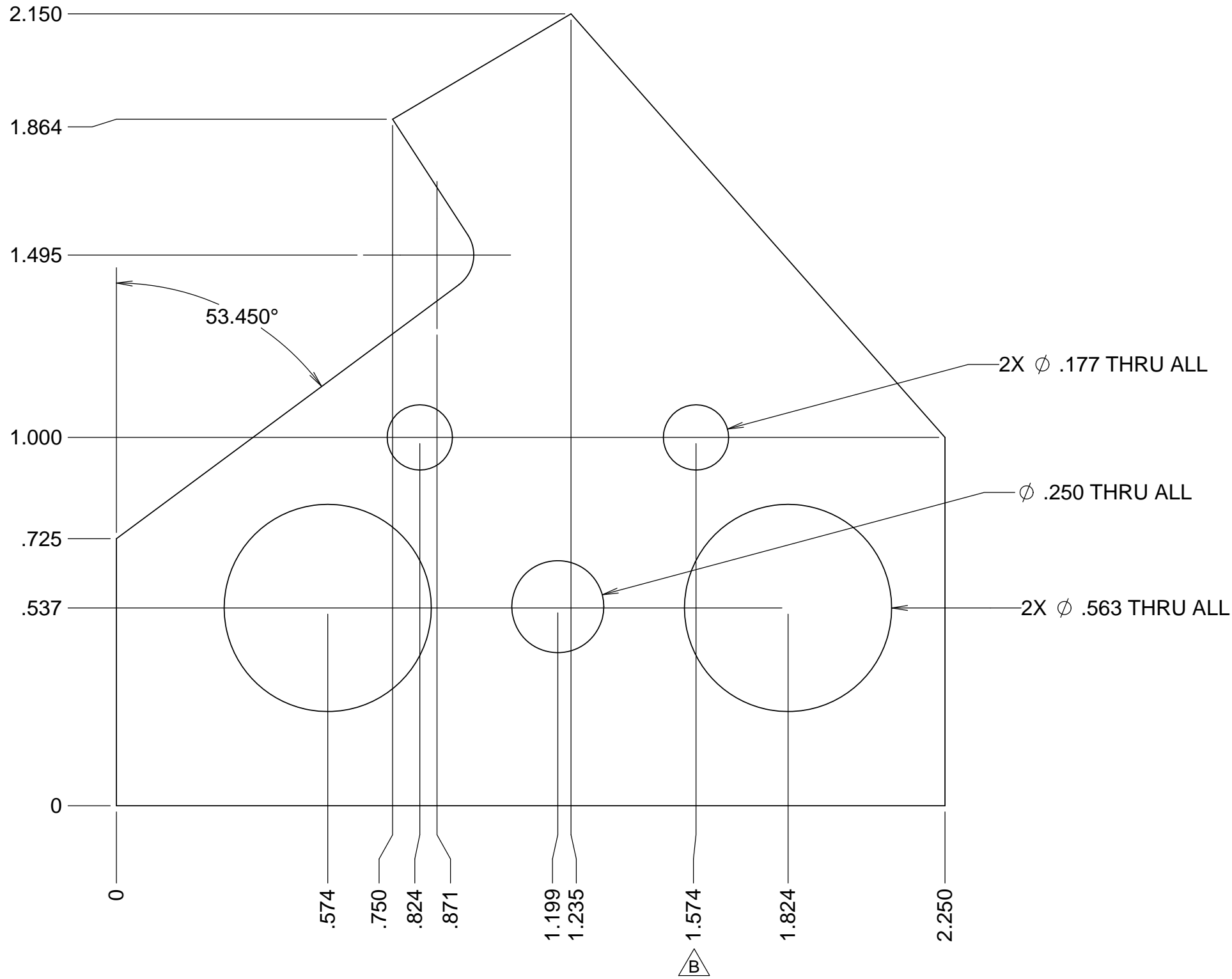


REVISIONS				
REV	DATE	DRWN	CHCK'D	DESCRIPTION
A	28NOV17	GFC	--	INITIAL RELEASE
B	30NOV17	GFC	DM	ADDED DIMENSION
C	05DEC17	GFC	JW	DESIGN CHANGE



NOTES

1 CAD MODEL FILENAME, 872-LM1318 Flag

UNLESS OTHERWISE NOTED DIMENSIONS ARE IN INCHES & TOLERANCES ARE AS FOLLOWS

X.X: ±0.1000" X.XX: ±0.0100"
 X.XXX: ±0.0050" X.XXXX: ±0.0001"
 ANGLES: ±0.5° FINISH: 125 MICRO INCHES
 BREAK ALL SHARP EDGES & CORNERS .002" MAX

MATERIAL: CARBON STEEL .06" THK
 FINISH: AEROGLAZE



DRAWN	CABAK	--	KECK 1 DEPLOYABLE TERTIARY MIRROR
CHECKED	--	--	STOW & DEPLOY SYSTEM
DESIGNED	CABAK	--	TITLE
DRAWN	CABAK	--	FLAG
SW DOCUMENT FILE	1	PROJECT CODE	K1D3FD
		DWG NO	872-LM1318
		NEXT ASSY	872-LM1317
			872-LM1318
			C 1/1