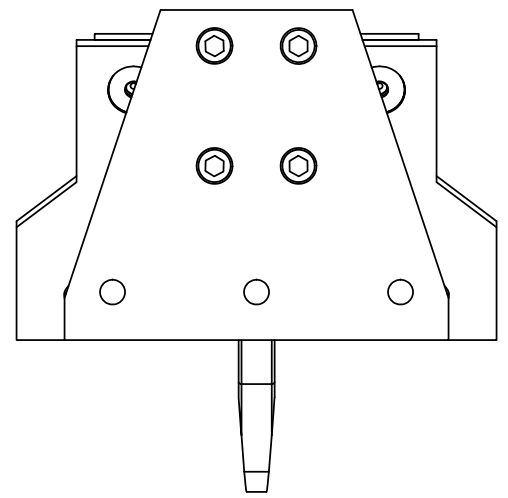
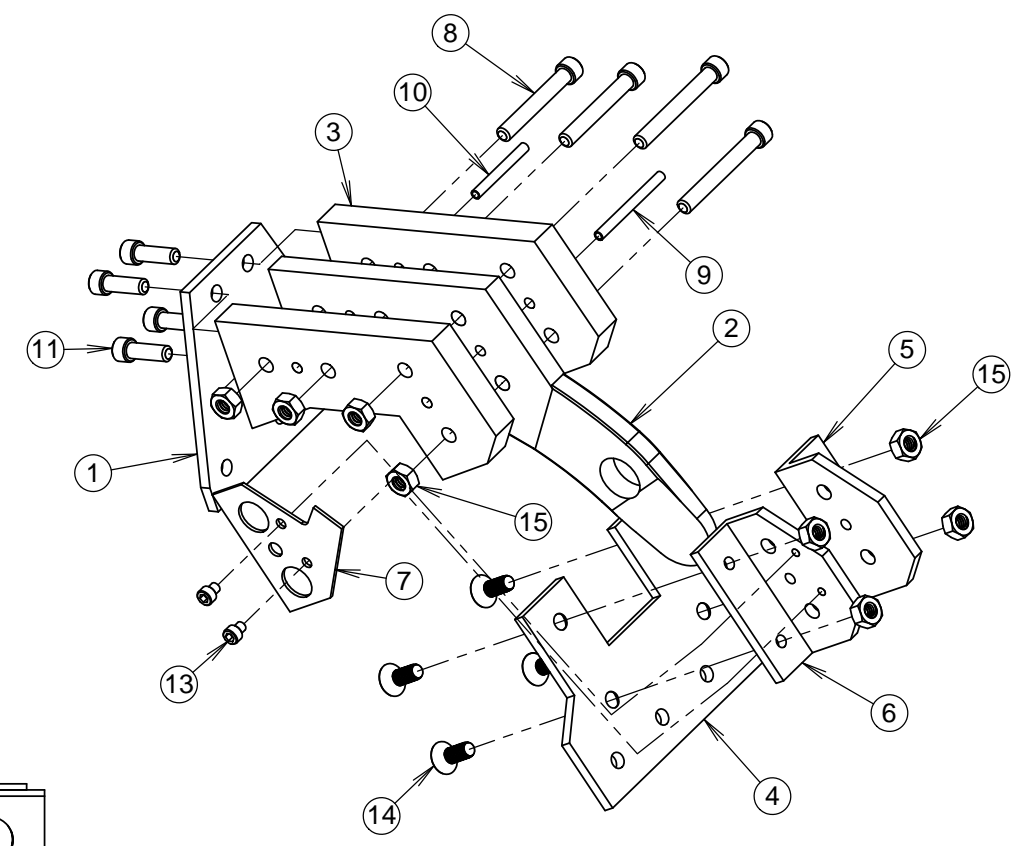
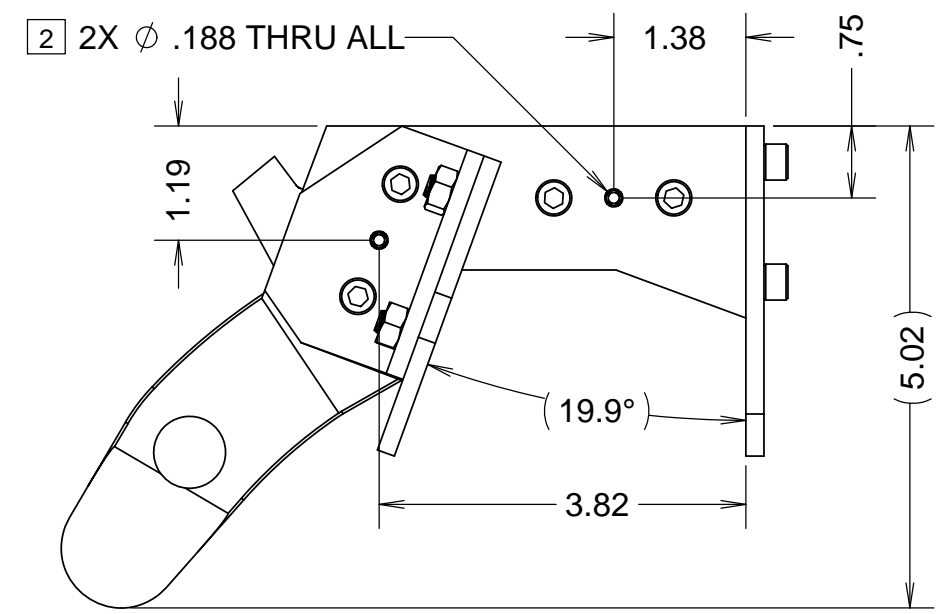
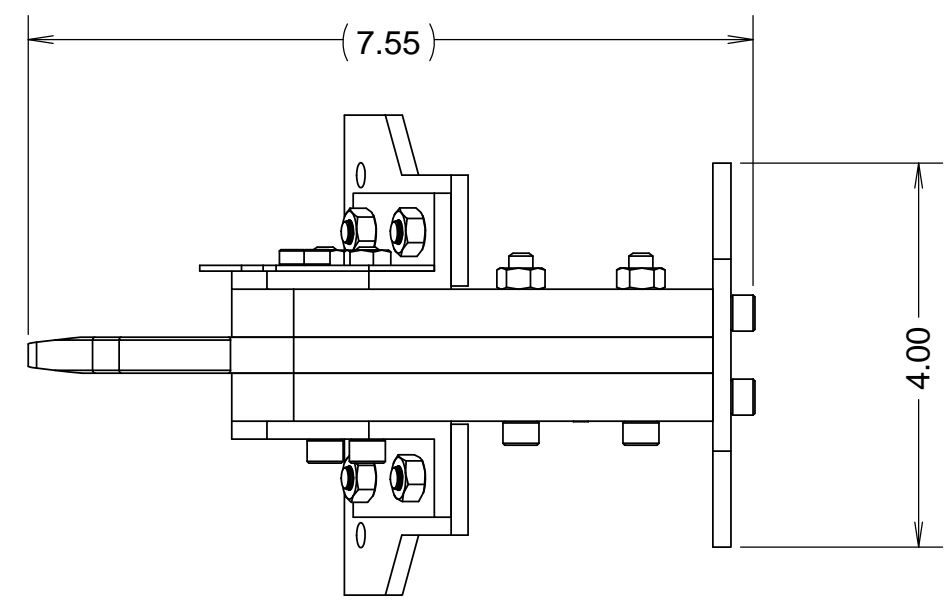


| REVISIONS | | | | |
|-----------|---------|-------|--------|-------------------|
| REV | DATE | DRW'N | CHCK'D | DESCRIPTION |
| A | 19SEP17 | GFC | -- | INITIAL RELEASE |
| B | 05DEC17 | GFC | -- | DESIGN CHANGE |
| C | 10AAP18 | GFC | -- | NEW EXPLODED VIEW |



| ITEM | QTY | P/N | DESCRIPTION |
|------|-----|------------|--------------------------------|
| 1 | 1 | 872-LM1311 | BACK PLATE |
| 2 | 1 | 872-LM1312 | TANG |
| 3 | 2 | 872-LM1313 | TANG PLATE |
| 4 | 1 | 872-LM1314 | FRONT HINGE PLATE |
| 5 | 1 | 872-LM1315 | ANGLE BRACKET, RIGHT |
| 6 | 1 | 872-LM1316 | ANGLE BRACKET, LEFT |
| 7 | 1 | 872-LM1318 | FLAG |
| 8 | 2 | HW | SHCS, 1/4-20 X 1.75 |
| 9 | 1 | HW | SPRING PIN, 5/32" X 1-3/4" |
| 10 | 1 | HW | SPRING PIN, 5/32" X 1-3/8" |
| 11 | 4 | HW | SHCS, 316 SST, 1/4-20 X .75" |
| 12 | 2 | HW | SHCS, BLACK-OXIDE, 1/4-20 X 2 |
| 13 | 2 | HW | SHCS, BLACK OXIDE, 8-32 X 3/16 |
| 14 | 4 | HW | FLAT HEAD, SHCS, 1/4-20 X 5/8" |
| 15 | 8 | H/W | HEX NUT, 1/4-20 |

NOTES

- 1 CAD MODEL FILENAME, 872-LM1317 TangAssy
- 2 HOLES FOR SPRING PINS, Ø3/16"

UNLESS OTHERWISE NOTED DIMENSIONS ARE IN INCHES & TOLERANCES ARE AS FOLLOWS

X.X: ±0.1000" X.XX: ±0.0100"
 X.XXX: ±0.0050" X.XXXX: ±0.0001"
 ANGLES: ±0.5° FINISH: 125 MICRO INCHES
 BREAK ALL SHARP EDGES & CORNERS .002" MAX

MATERIAL PARTS LIST FINISH --



| | | | |
|------------------|-------|--------------|-----------------------------------|
| DRAWN | CABAK | -- | KECK 1 DEPLOYABLE TERTIARY MIRROR |
| CHECKED | -- | -- | STOW & DEPLOY SYSTEM |
| DESIGNED | CABAK | -- | TITLE |
| ARCHITECT | CABAK | -- | TANG ASSEMBLY |
| SW DOCUMENT FILE | 1 | PROJECT CODE | K1D3FD |
| | | NEXT ASSY | 872-LM4600 |
| | | DWG NO | 872-LM1317 |
| | | | C 1/1 |