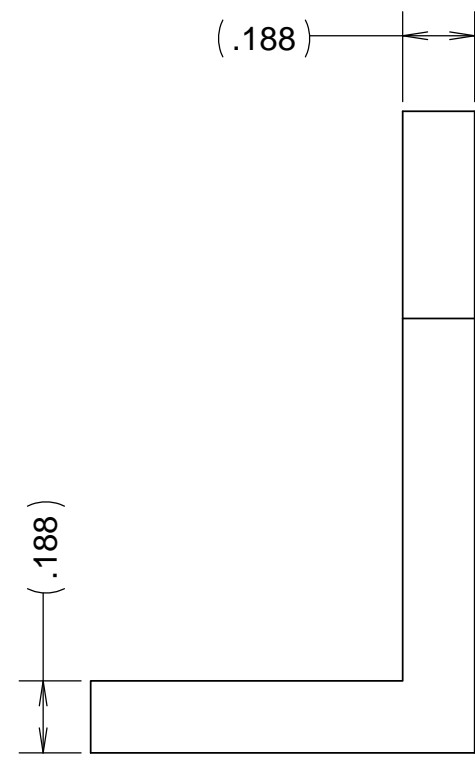
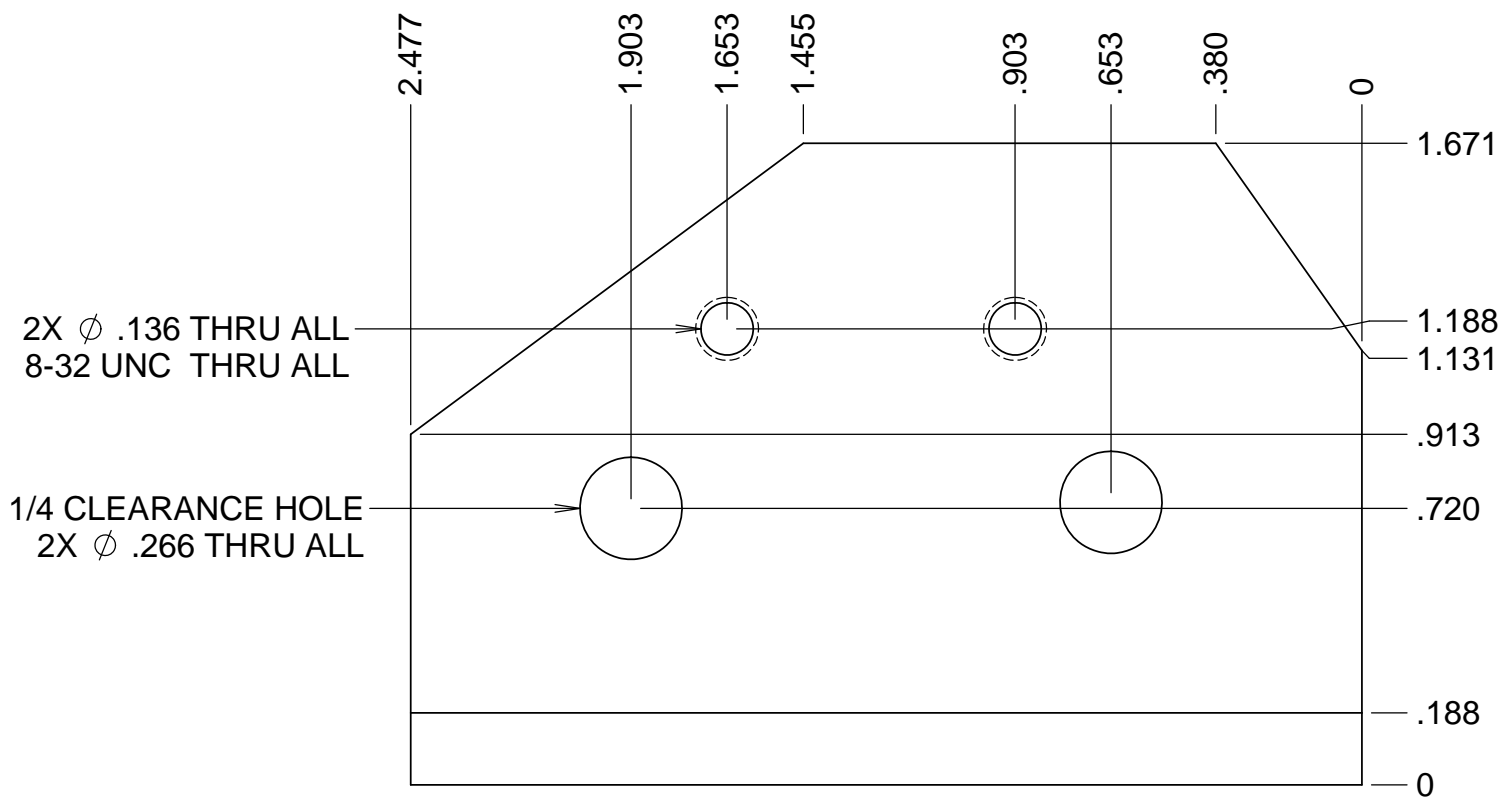
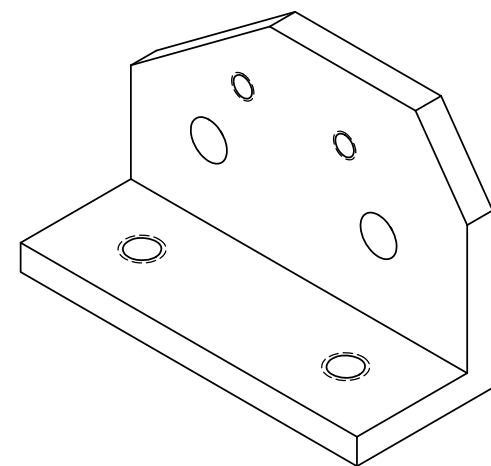
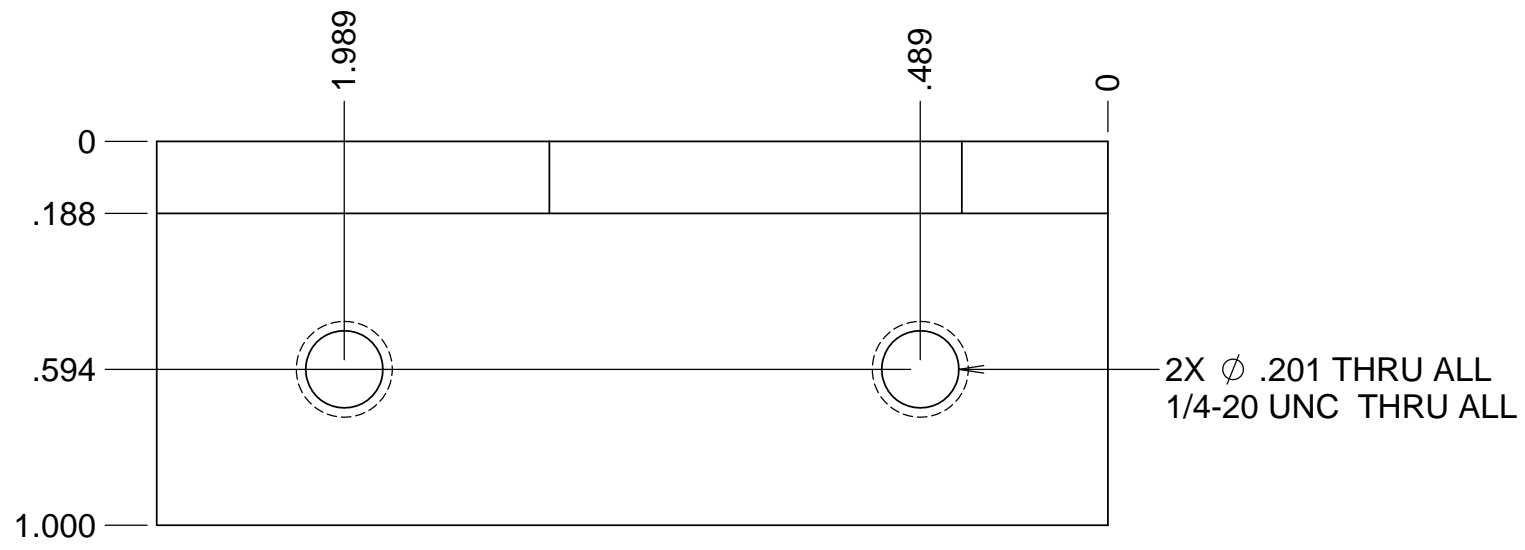


REVISIONS				
REV	DATE	DRWN	CHK'D	DESCRIPTION
A	19SEP17	GFC	--	INITIAL RELEASE
B	29Nov17	GFC	--	ADDED 8-32 HOLES



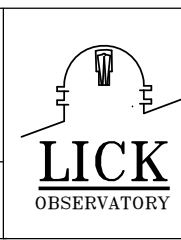
NOTES

- 1 CAD MODEL FILENAME, 872-LM1316 AngleBraceL
- 2 MINIMAL RADIUS ON INSIDE CORNERS
- 3 MIRROR IMAGE OF 872-LM1315
- 4 PAINT, AEROGLAZE X3-6 FLAT BLACK PER MFGR'S SPECS

UNLESS OTHERWISE NOTED DIMENSIONS ARE IN INCHES & TOLERANCES ARE AS FOLLOWS

X.X: $\pm 0.1000"$ X.XX: $\pm 0.0100"$
X.XXX: $\pm 0.0050"$ X.XXXX: $\pm 0.0001"$
ANGLES: $\pm 0.5^\circ$ FINISH: 125 MICRO INCHES
BREAK ALL SHARP EDGES & CORNERS .002" MAX

MATERIAL	FINISH
5XXX/6XXX AL	64/4



DRAWN	CABAK	--	KECK 1 DEPLOYABLE TERTIARY MIRROR
CHECKED	--	--	STOW & DEPLOY SYSTEM
DESIGNED	CABAK	--	TITLE
DRAWN	CABAK	--	ANGLE BRACE, LEFT
SW DOCUMENT FILE	1	PROJECT CODE	K1D3FD
		DWG NO	872-LM1316
		NEXT ASSY	872-LM1317
			B 1/1