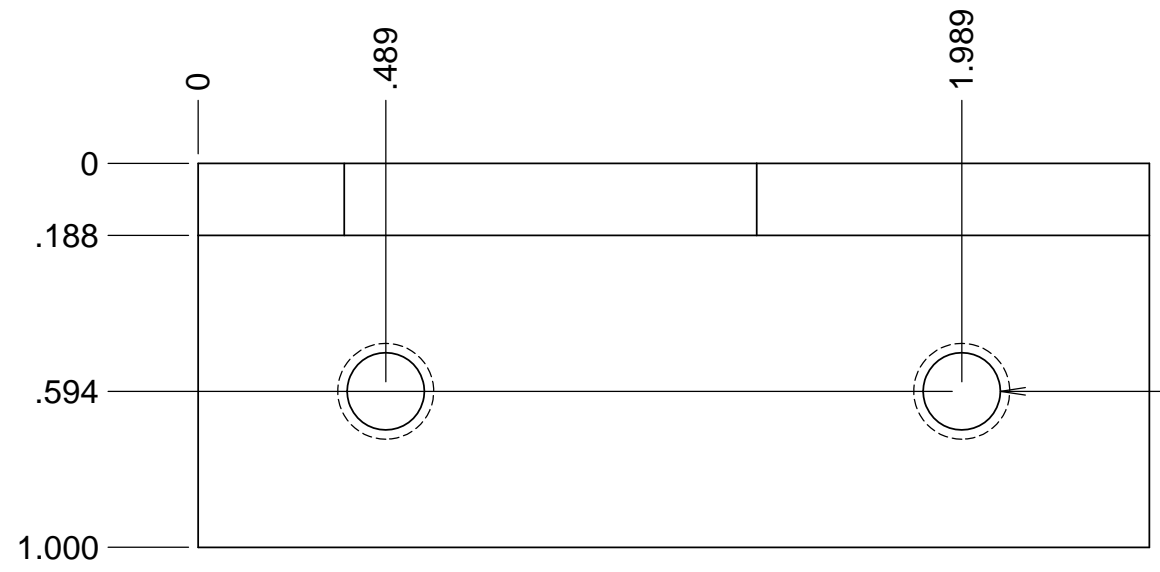
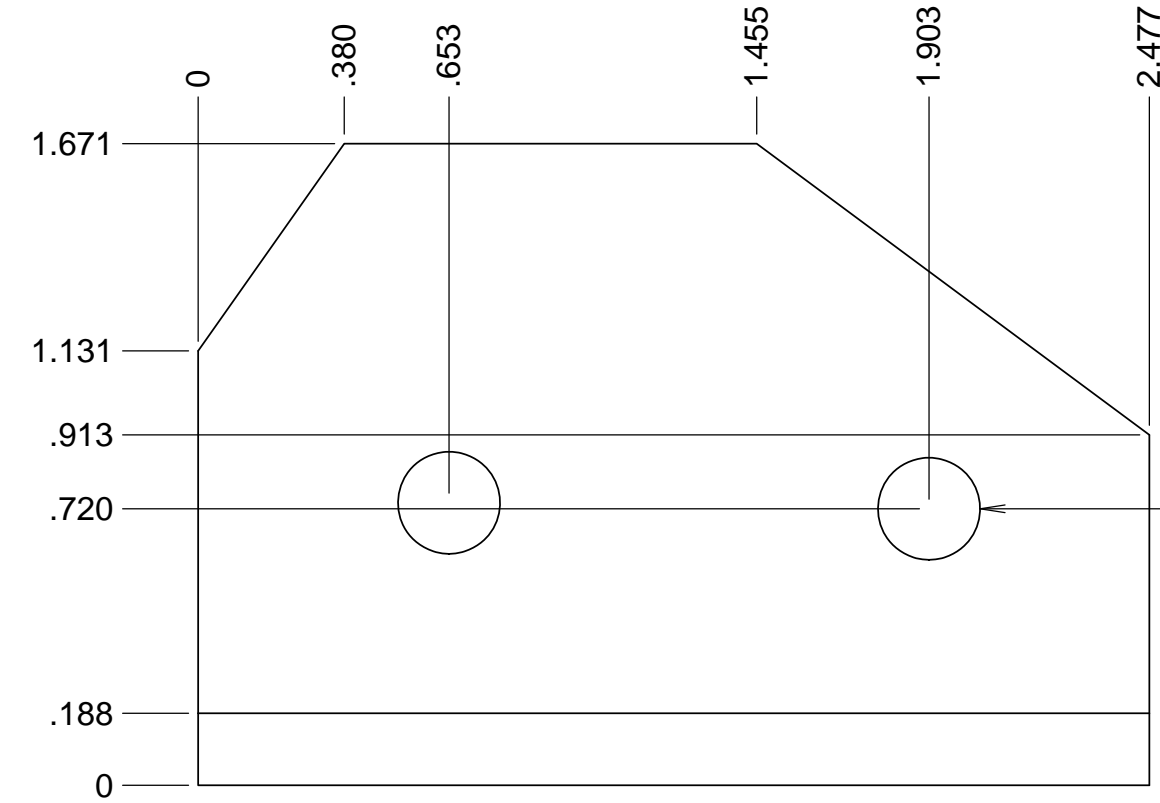


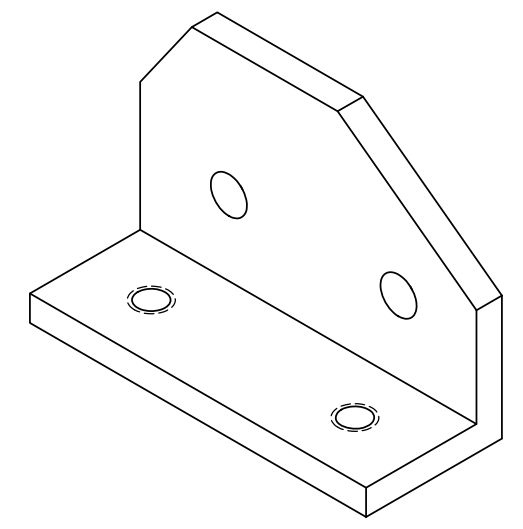
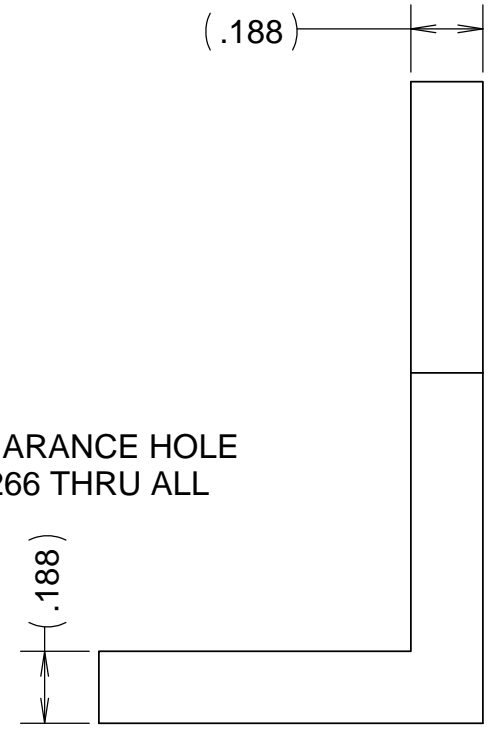
REVISIONS				
REV	DATE	DRW'N	CHCK'D	DESCRIPTION
A	19SEP17	GFC	--	INITIAL RELEASE



2X  $\phi$  .201 THRU ALL  
1/4-20 UNC THRU ALL



1/4 CLEARANCE HOLE  
2X  $\phi$  .266 THRU ALL



**NOTES**

- 1 CAD MODEL FILENAME, 872-LM1315 AngleBraceR
- 2 MINIMAL RADIUS ON INSIDE CORNERS
- 3 MIRROR IMAGE OF 872-LM1316
- 4 PAINT, AEROGLAZE X3-6 FLAT BLACK PER MFGR'S SPECS

UNLESS OTHERWISE NOTED DIMENSIONS ARE IN INCHES & TOLERANCES ARE AS FOLLOWS

X.X: $\pm 0.1000"$	X.XX: $\pm 0.0100"$
X.XXX: $\pm 0.0050"$	X.XXXX: $\pm 0.0001"$
ANGLES: $\pm 0.5^\circ$ FINISH: 125 MICRO INCHES BREAK ALL SHARP EDGES & CORNERS .002" MAX	
MATERIAL 5XXX/6XXX AL	FINISH 64/4



DRAWN CABAK	--	KECK 1 DEPLOYABLE TERTIARY MIRROR STOW & DEPLOY SYSTEM
CHECKED --	--	TITLE ANGLE BRACE, RIGHT
DESIGNED CABAK	--	PROJECT CODE K1D3FD
DRAWN CABAK	--	DWG NO 872-LM1315
SW DOCUMENT FILE 1	NEXT ASSY 872-LM1317	A 1/1