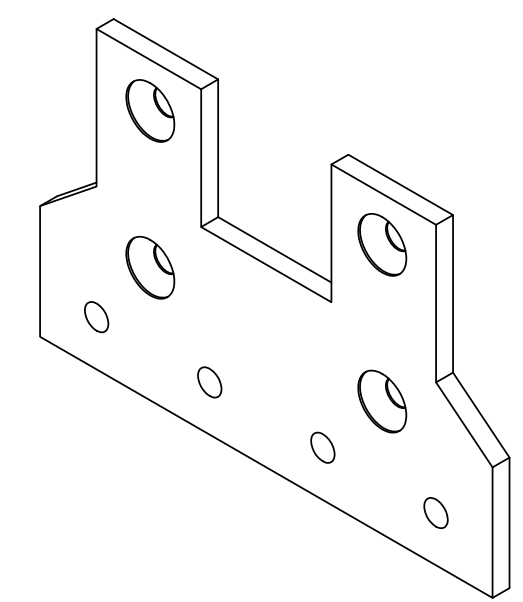
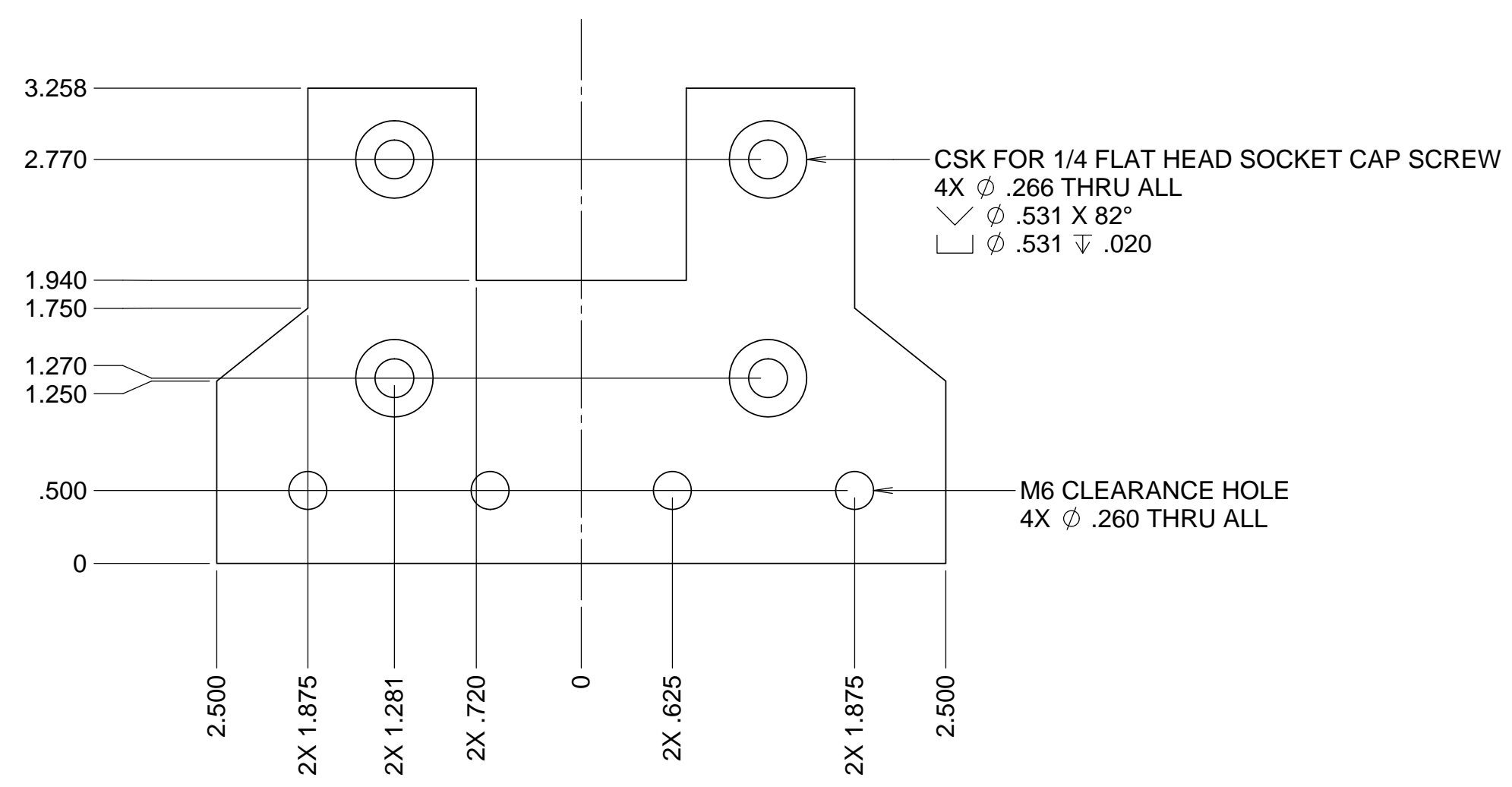
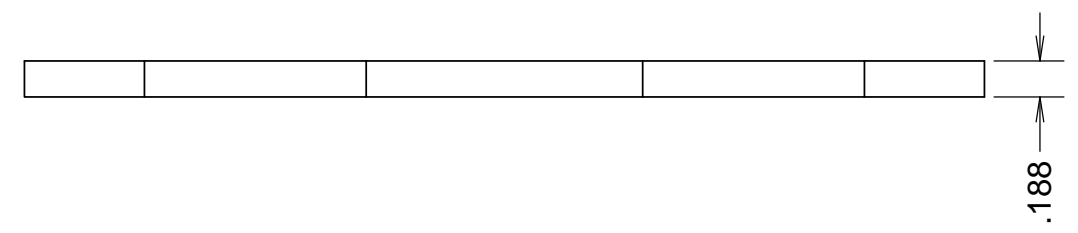


REVISIONS				
REV	DATE	DRW'N	CHCK'D	DESCRIPTION
A	19SEP17	GFC	--	INITIAL RELEASE

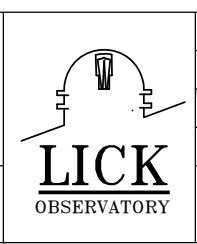


NOTES

- 1 CAD MODEL FILENAME, 872-LM1314 FrontHingePlate
- 2 PAINT, AEROGLAZE X3-6 FLAT BLACK PER MFGR'S SPECS

UNLESS OTHERWISE NOTED DIMENSIONS ARE IN INCHES & TOLERANCES ARE AS FOLLOWS

X.X: $\pm 0.1000''$	X.XX: $\pm 0.0100''$
X.XXX: $\pm 0.0050''$	X.XXXX: $\pm 0.0001''$
ANGLES: $\pm 0.5^\circ$ FINISH: 125 MICRO INCHES BREAK ALL SHARP EDGES & CORNERS .002" MAX	
MATERIAL 5XXX/6XXX AL	FINISH 64



DRAWN CABAK	--	KECK 1 DEPLOYABLE TERTIARY MIRROR
CHECKED --	--	STOW & DEPLOY SYSTEM
DESIGNED CABAK	--	TITLE FRONT HINGE PLATE
DRAWN CABAK	--	
SW DOCUMENT FILE 1	PROJECT CODE K1D3FD	DWG NO 872-LM1314
	NEXT ASSY 872-LM1317	A 1/1