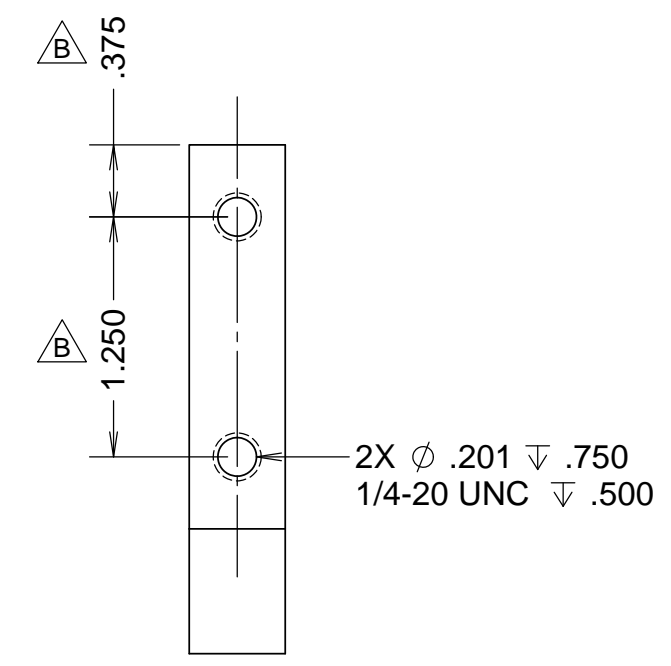
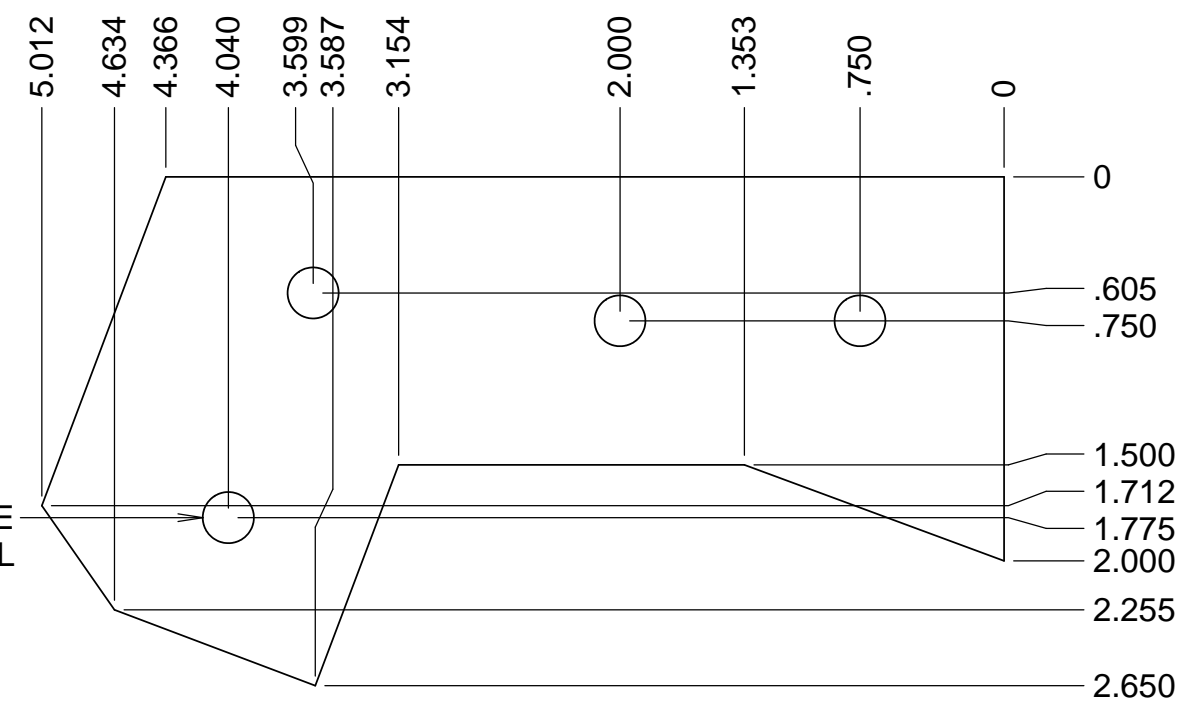
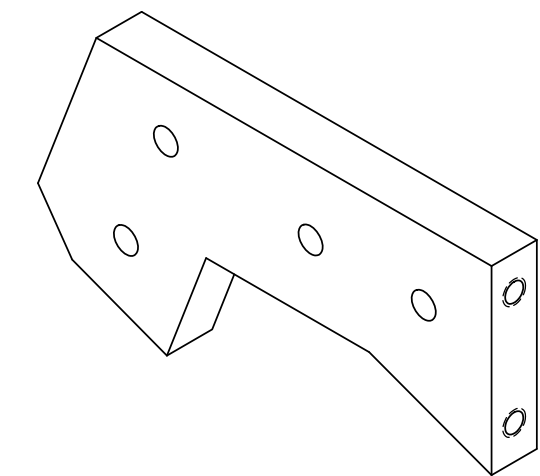
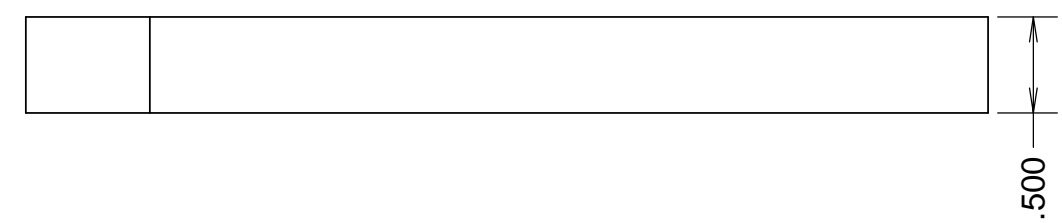


REVISIONS				
REV	DATE	DRW'N	CHCK'D	DESCRIPTION
A	19SEP17	GFC	--	INITIAL RELEASE
B	26SEP17	GFC	DM	ADDED DIMENSIONS



1/4 CLEARANCE HOLE
4X Ø .266 THRU ALL

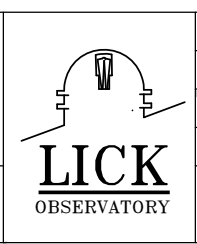
NOTES

- 1 CAD MODEL FILENAME, 872-LM1313 TangPlate
- 2 MINIMAL RADIUS ON INSIDE CORNERS
- 3 PAINT, AEROGLAZE X3-6 FLAT BLACK PER MFGR'S SPECS

UNLESS OTHERWISE NOTED DIMENSIONS ARE IN INCHES & TOLERANCES ARE AS FOLLOWS

X.X: ±0.1000" X.XX: ±0.0100"
X.XXX: ±0.0050" X.XXXX: ±0.0001"
ANGLES: ±0.5° FINISH: 125 MICRO INCHES
BREAK ALL SHARP EDGES & CORNERS .002" MAX

MATERIAL	FINISH	
5XXX/6XXX AL	64	3



DRAWN	CABAK	--	KECK 1 DEPLOYABLE TERTIARY MIRROR
CHECKED	--	--	STOW & DEPLOY SYSTEM
DESIGNED	CABAK	--	TITLE
APPROVED	CABAK	--	TANG PLATE
SW DOCUMENT FILE	1	PROJECT CODE	K1D3FD
		DWG NO	872-LM1317
			872-LM1313
			B 1/1