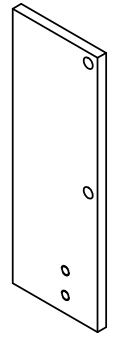
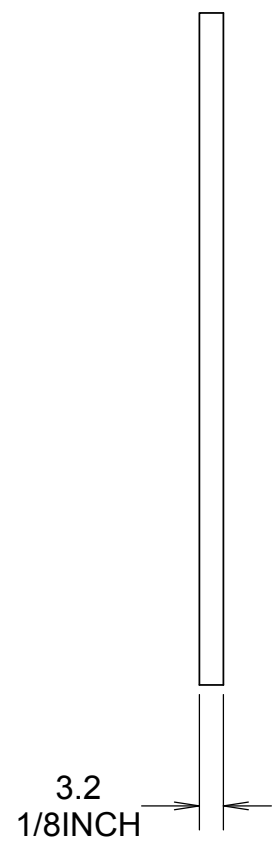
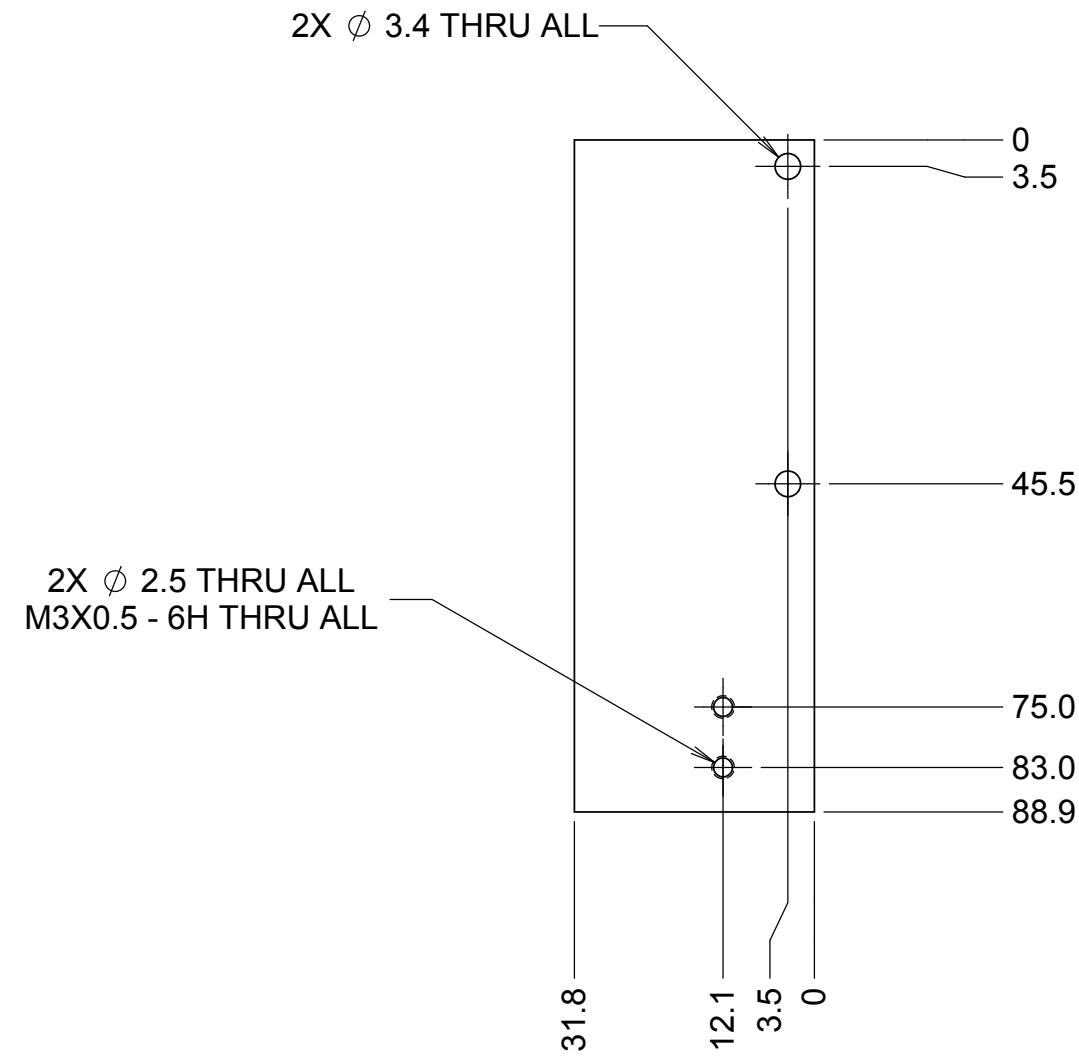


REVISIONS				
DRWN	DATE	CHK'D	REV	DESCRIPTION
CR	5/18/17		A	INITIAL RELEASE

D  
C  
B  
A

D  
C  
B  
A



**NOTES**

- 6061 T6 ALUMINUM
- BLACK ANODIZE

UNLESS OTHERWISE NOTED DIMENSIONS ARE IN MILLIMETERS & TOLERANCES ARE AS FOLLOWS: X.X: ±0.10 mm X.XX: ±0.01 mm ANGLES: ±0.5° FINISH: 3 MICRONS (µm) BREAK ALL SHARP EDGES & CORNERS .25mm MAX			DRAWN <b>C. RATLIFF</b> CHECKED <b>DM</b>	<b>KECK 1 DEPLOYABLE TERTIARY MIRROR</b> <b>STOW &amp; DEPLOY SYSTEMS</b>	
MATERIAL SEE NOTE 1	FINISH SEE NOTE 2		DESIGNED <b>C. RATLIFF</b> ENGINEER	DATE <b>5/17/17</b>	TITLE <b>IGUS MOUNT READHEAD</b>
		SW DOCUMENT FILE 872-LM1310	QUANTITY <b>2</b>	PROJECT CODE <b>K1D3FD</b> NEXT ASSY 872-LM0000	DWG NO <b>872-LM1310</b>
			REV <b>A</b>	1/1	

8 7 6 5 4 3 2 1