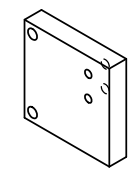
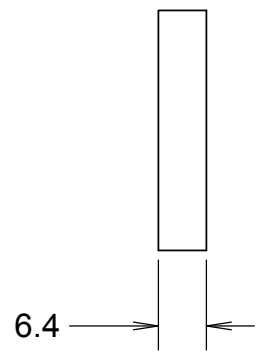
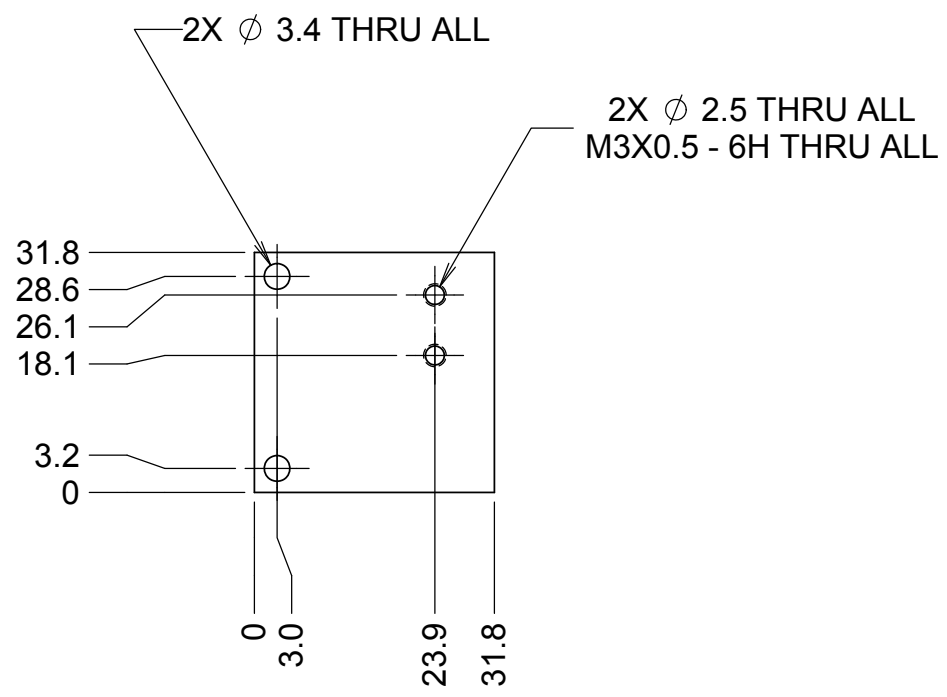


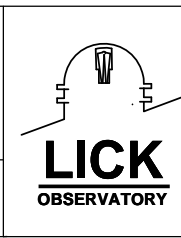
REVISIONS				
DRWN	DATE	CHK'D	REV	DESCRIPTION
CR	5/18/17		A	INITIAL RELEASE



NOTES

- 6061 T6 ALUMINUM
- BLACK ANODIZE

UNLESS OTHERWISE NOTED DIMENSIONS ARE IN MILLIMETERS & TOLERANCES ARE AS FOLLOWS: X.X: ±0.10 mm X.XX: ±0.01 mm ANGLES: ±0.5° FINISH: 3 MICRONS (µm) BREAK ALL SHARP EDGES & CORNERS .25mm MAX	
MATERIAL SEE NOTE 1	FINISH SEE NOTE 2



DESIGNED C. RATLIFF ENGINEER	CHECKED DM	DATE 5/17/17	PROJECT CODE K1D3FD	DWG NO 872-LM1309	REV A
DRAWN C. RATLIFF CHECKED DM DESIGNED C. RATLIFF ENGINEER			TITLE IGUS MOUNT		
SW DOCUMENT FILE 872-LM1309		QUANTITY 2	NEXT ASSY 872-LM0000		

KECK 1 DEPLOYABLE TERTIARY MIRROR
STOW & DEPLOY SYSTEMS