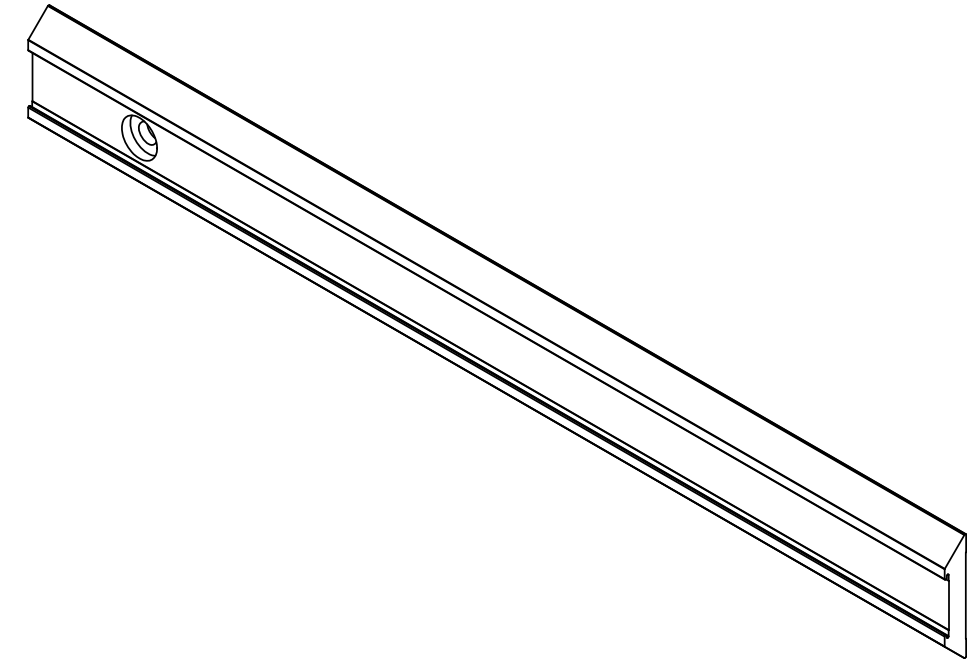
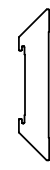
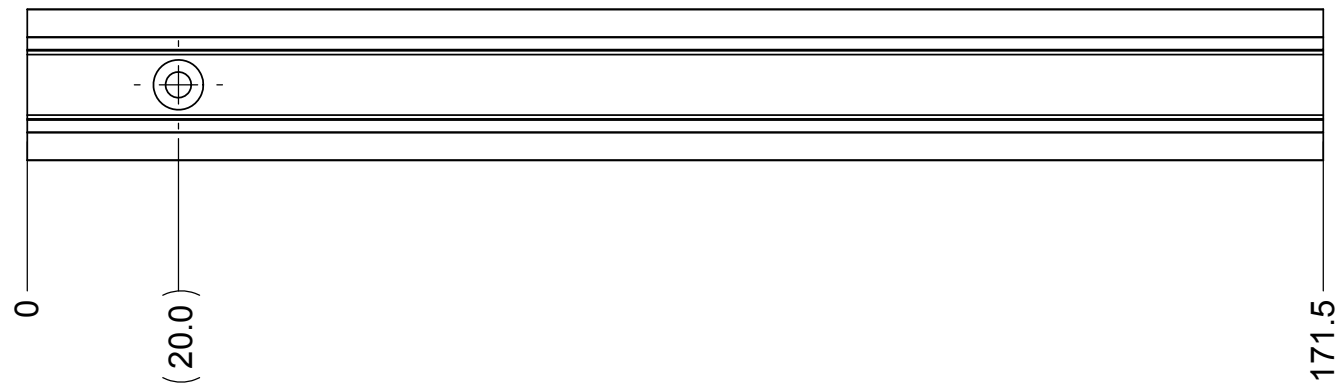


REVISIONS				
DRWN	DATE	CHK'D	REV	DESCRIPTION
CR	4/10/17		A	INITIAL RELEASE



NOTES

1. USE RENISHAW PART NUMBER: TRS100A00

UNLESS OTHERWISE NOTED DIMENSIONS ARE IN MILLIMETERS & TOLERANCES ARE AS FOLLOWS: X.X: ±0.10 mm X.XX: ±0.01 mm ANGLES: ±0.5° FINISH: 3 MICRONS (µm) BREAK ALL SHARP EDGES & CORNERS .25mm MAX			DESIGNED C. RATLIFF	DATE 4/10/17	PROJECT CODE K1D3FD		DWG NO 872-LM1308	REV A
MATERIAL SEE NOTE 1	FINISH NA		CHECKED C. RATLIFF	ENGINEER	QUANTITY 2	NEXT ASSY 872-LM1300	TITLE ENCODER TAPE MOUNT	
			DRAWN C. RATLIFF		KECK 1 DEPLOYABLE TERTIARY MIRROR STOW & DEPLOY SYSTEMS			

8 7 6 5 4 3 2 1

D
C
B
A

D
C
B
A

8 7 6 5 4 3 2 1