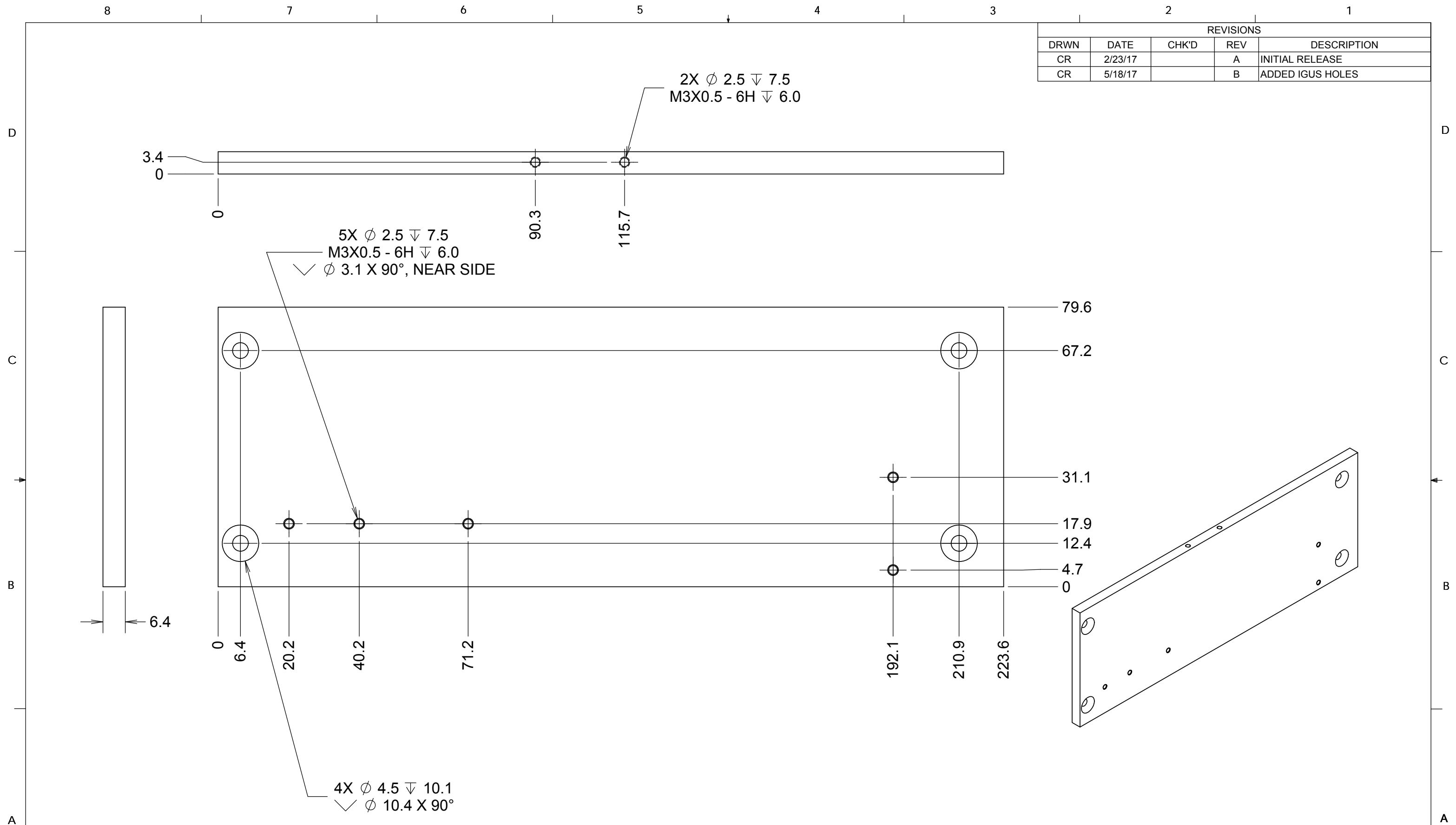


REVISIONS				
DRWN	DATE	CHK'D	REV	DESCRIPTION
CR	2/23/17		A	INITIAL RELEASE
CR	5/18/17		B	ADDED IGUS HOLES

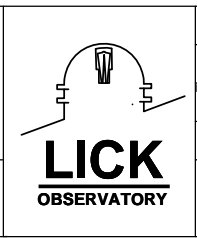


**NOTES**

- 6061 T6 ALUMINUM
- BLACK ANODIZE

UNLESS OTHERWISE NOTED DIMENSIONS ARE IN MILLIMETERS & TOLERANCES ARE AS FOLLOWS:  
 X.X:  $\pm$ 0.10 mm X.XX:  $\pm$ 0.01 mm  
 ANGLES:  $\pm$ 0.5° FINISH: 3 MICRONS ( $\mu$ m)  
 BREAK ALL SHARP EDGES & CORNERS .25mm MAX

MATERIAL	FINISH
SEE NOTE 1	SEE NOTE 2



DRAWN <b>C. RATLIFF</b>		KECK 1 DEPLOYABLE TERTIARY MIRROR	
CHECKED <b>DM</b>		STOW & DEPLOY SYSTEMS	
DESIGNED <b>C. RATLIFF</b>	2/23/17	TITLE ABSOLUTE ENCODER TAPE MOUNT	
ENGINEER		PROJECT CODE K1D3FD	DWG NO 872-LM1306
SW DOCUMENT FILE 872-LM1306	QUANTITY 2	NEXT ASSY 872-LM0000	REV B 1