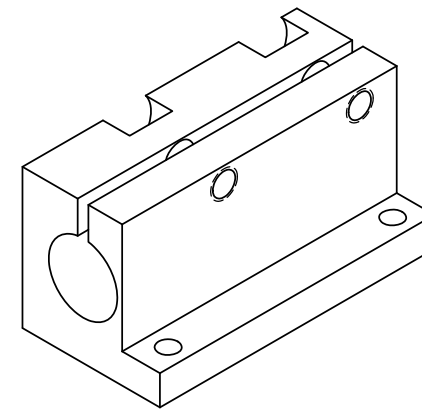
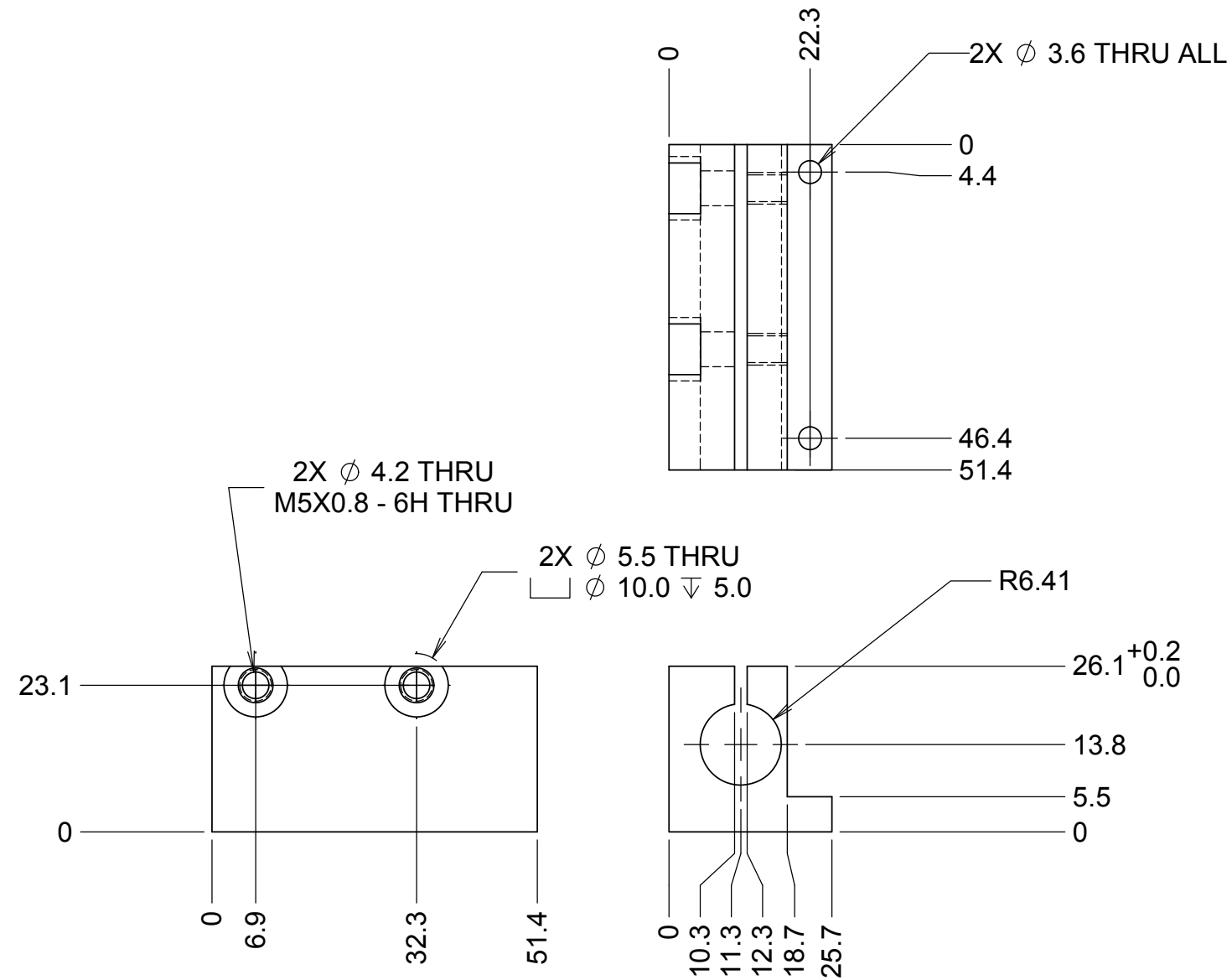


REVISIONS				
DRWN	DATE	CHK'D	REV	DESCRIPTION
CR	2/23/17		A	INITIAL RELEASE



**NOTES**

- 6061 T6 ALUMINUM
- BLACK ANODIZE

UNLESS OTHERWISE NOTED DIMENSIONS ARE IN MILLIMETERS & TOLERANCES ARE AS FOLLOWS:  
 X.X: ±0.10 mm X.XX: ±0.01 mm  
 ANGLES: ±0.5° FINISH: 3 MICRONS (µm)  
 BREAK ALL SHARP EDGES & CORNERS .25mm MAX



MATERIAL	FINISH
SEE NOTE 1	SEE NOTE 2

DESIGNED <b>C. RATLIFF</b>	CHECKED	DATE 2/23/17	ENGINEER	PROJECT CODE K1D3FD	DWG NO 872-LM1304	REV A
KECK 1 DEPLOYABLE TERTIARY MIRROR STOW & DEPLOY SYSTEMS			TITLE READHEAD MOUNT			
SW DOCUMENT FILE 872-LM1304	QUANTITY 2	NEXT ASSY 872-LM0000				