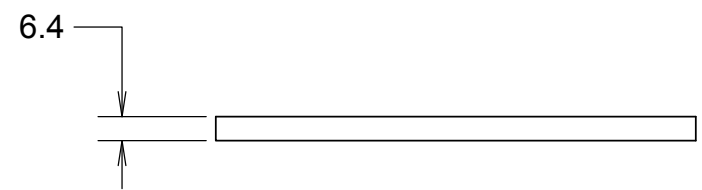


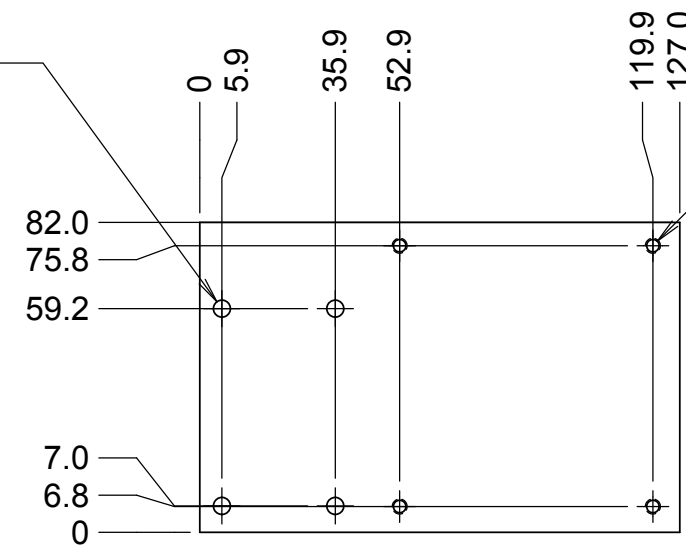
| REVISIONS | | | | |
|-----------|---------|-------|-----|-----------------|
| DRWN | DATE | CHK'D | REV | DESCRIPTION |
| CR | 2/10/17 | | A | INITIAL RELEASE |

D
C
B
A

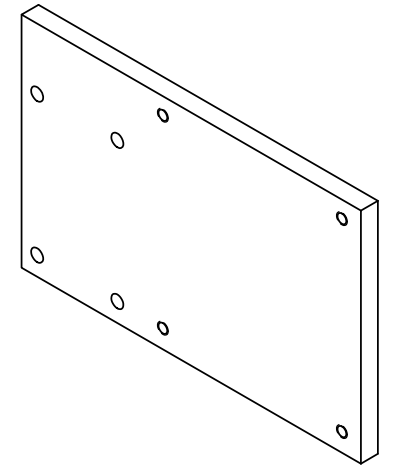
D
C
B
A



4X ϕ 4.5 THRU ALL



4X ϕ 3.3 THRU ALL
M4X0.7 - 6H THRU ALL



NOTES

- 6061 T6 ALUMINUM
- BLACK ANODIZE

| | | | | | |
|---|-------------------------------------|--|--|---|------------------------------------|
| UNLESS OTHERWISE NOTED DIMENSIONS ARE IN MILLIMETERS & TOLERANCES ARE AS FOLLOWS: X.X: ± 0.10 mm X.XX: ± 0.01 mm ANGLES: $\pm 0.5^\circ$ FINISH: 3 MICRONS (μm) BREAK ALL SHARP EDGES & CORNERS .25mm MAX | | | <small>DRAWN</small> C. RATLIFF <small>CHECKED</small> JW | KECK 1 DEPLOYABLE TERTIARY MIRROR STOW & DEPLOY SYSTEMS | |
| <small>MATERIAL</small> SEE NOTE 1 | <small>FINISH</small> SEE NOTE 2 | | <small>DESIGNED</small> C. RATLIFF <small>ENGINEER</small> | 2/10/17 <small>QUANTITY</small> 2 | <small>TITLE</small> EICT MOUNT |
| | | | <small>SW DOCUMENT FILE</small> 872-LM1303 | <small>DWG NO</small> 872-LM1303 | <small>REV</small> A 1/1 |

8 7 6 5 4 3 2 1