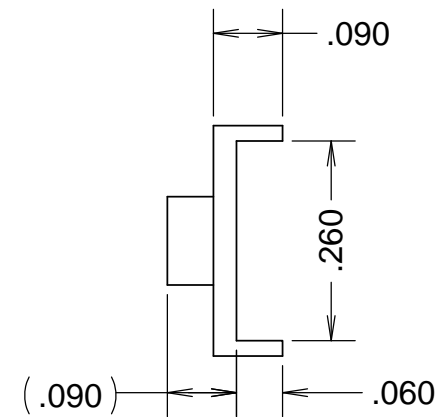
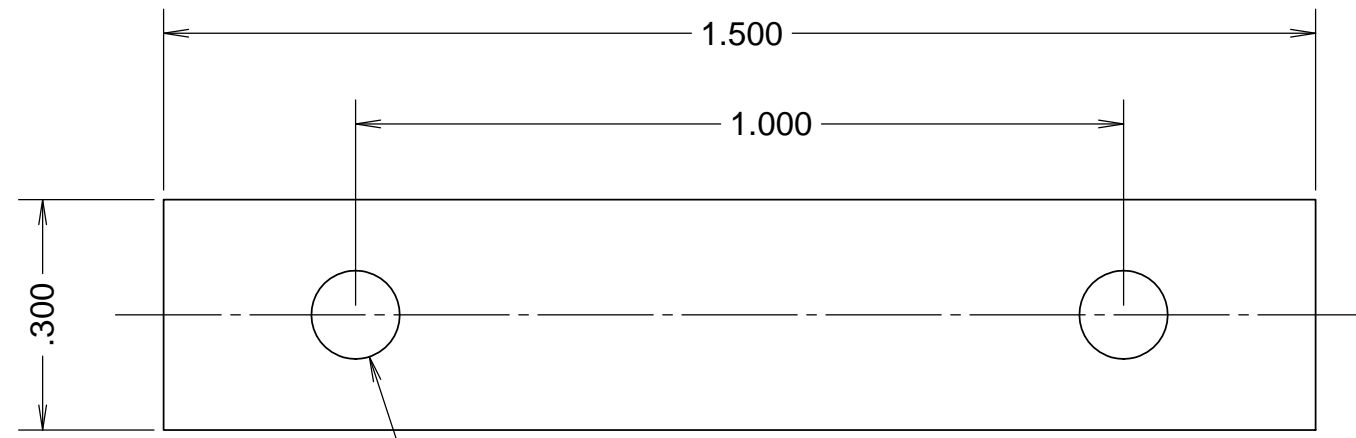
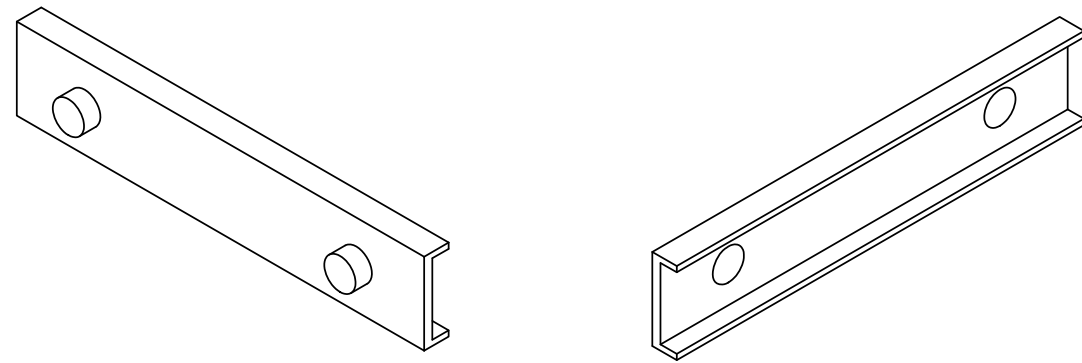


REVISIONS				
REV	DATE	DRW'N	CHCK'D	DESCRIPTION
A	5JAN18	GFC	--	INITIAL RELEASE



2X ϕ .115
PRESS FIT PIN .090 LONG (MIN)
CROSS DRILL FOR SAFETY WIRE

NOTES

1 CAD MODEL FILENAME, 872-LM1211 BaffleClip

UNLESS OTHERWISE NOTED DIMENSIONS ARE IN INCHES & TOLERANCES ARE AS FOLLOWS

X.X: $\pm 0.1000''$ X.XX: $\pm 0.0100''$
X.XXX: $\pm 0.0050''$ X.XXXX: $\pm 0.0001''$
ANGLES: $\pm 0.5^\circ$ FINISH: 125 MICRO INCHES
BREAK ALL SHARP EDGES
& CORNERS .002" MAX

MATERIAL: 5/6XXX AL FINISH: AEROGLAZE



DRAWN	CABAK	--	KECK 1 DEPLOYABLE TERTIARY MIRROR
CHECKED	--	--	STOW & DEPLOY SYSTEM
DESIGNED	CABAK	--	TITLE
ENGINEER	CABAK	--	BAFFLE CLIP
SW DOCUMENT FILE	1	PROJECT CODE	K1D3FD
		DWG NO	872-LM1211
		NEXT ASSY	--
			A
			1/1